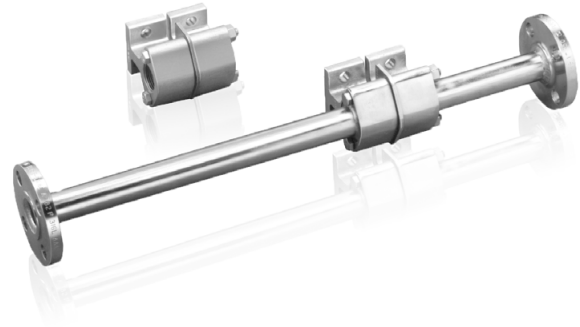


1330L

Integral orifice flow elements

½, 1 and 1½ inch pipe sizes

Measurement made easy



Overview

- ½, 1 and 1½" NPT sizes
- ±0.5% accuracy
- Flanged construction
- Wide variety of standard bores
- One-year warranty

Integral Orifice Flow Element 1/2, 1, 1-1/2" Pipe sizes, Model 1330L

The integral orifice is a flow element capable of being close coupled with differential pressure transmitters to make a complete flow meter. It provides easy-to-install, low-cost measurement of the small flows found frequently in plant metering operations and research projects. It can be ordered with internal NPT threads or flanged pipe runs, welded both upstream and downstream of the flow restriction. The orifice assembly may be directly mounted to the transmitter or remote using optional adapter kit 155S711.

PERFORMANCE SPECIFICATIONS

Accuracy

Calibrated

±0.5% of actual flow when operated within the calibrated range using the average value of K

Uncalibrated Orifice Bores

0.020-0.065 ±5% of rate

0.113-0.500 ±2% of rate

0.612-1.127 ±1.5% of rate

Pressure Rating

Threaded

1/2 in. and 1 in. NPT: 3000 psig (21 000 kPa)
at 300°F (150°C)

1-1/2 NPT: 1500 psig (10 500 kPa)
at 300°F (150°C)

Flanged

Class 150 ANSI: 275 psig (1900 kPa) MWP
at 100°F (38°C)

Class 300 ANSI: 720 psig (5000 kPa) MWP
at 100°F (38°C)

PHYSICAL SPECIFICATIONS

Materials of Construction

Threaded type body 316 SST,
Orifice plate 316 SST, Hastelloy-C¹
Flanged type element All 316 SST only
Sealing gasket Silicate ceramic filled TFE

Concentric Orifice Bores

1/2 in. 0.020, 0.035, 0.065, 0.113, 0.150, 0.196,
0.270, 0.340 in.

1 in. 0.020, 0.035, 0.065, 0.113, 0.150,
0.196, 0.270, 0.340, 0.500, 0.612,
0.735 in.

1-1/2 in. 0.500, 0.612, 0.750, 0.918, 1.127 in.

Pipe Size

1/2, 1 and 1-1/2 in.

Pipe Schedule

Schedule 40, 80⁽²⁾

Connection to Transmitter

Flat gasketed surfaces bolted to transmitter or
3-valve manifold.

Face to Face Dimensions

Threaded type 1/2 and 1 in.: 3-11/16 in.
(93.7 mm)

1-1/2 in.: 4-1/16 in. (103.2 mm)

Flanged type 1/2 & 1 in.: 24 in. (609.6 mm) length

1-1/2 in.: 38 in. (965.2 mm) length

NACE Standard

Construction materials 316 SST with 316 SST
orifice plate and 316 SST and Hastelloy C orifice
plate conform to NACE Standard MR-0175-88.
Conformance is on process wetted materials only
and does not include bolting.

Temperature Rating

300°F (148.9°C) max.

Weights

1330L

No Flanges

(1/2 in. and 1 in.) 4.9 lb (2.2 kg)

(1-1/2 in.) 7.5 lb (3.4 kg)

Class 150 ANSI Flange

(1/2 in. and 1 in.) 11.6 lb (5.3 kg)

Class 300 ANSI Flange

(1/2 in. and 1 in.) 17.6 lb (8 kg)

Class 150 ANSI Flange

(1-1/2 in.) 18.8 lb (8.5 kg)

Class 300 ANSI Flange

(1-1/2 in.) 24.8 lb (11 kg)

DETERMINATION OF DIFFERENTIAL PRESSURE AND ORIFICE BORE

Differential Pressure

To calculate exact differential pressure produced at known flow rate, use one of the following equations:

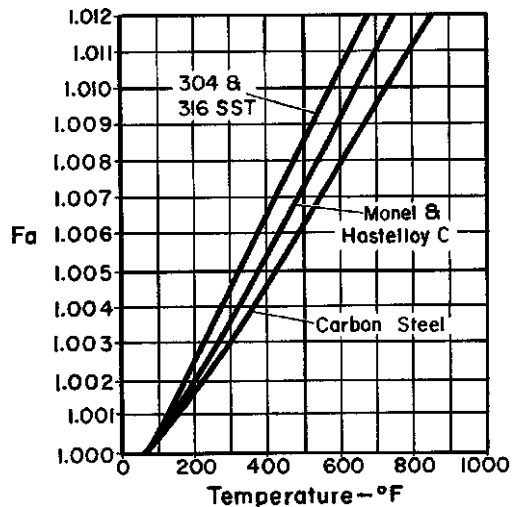
$$\text{Liquid: } h = gf \left[\frac{q(\text{in U.S. qpm})}{5.668 \times F_a \times K \times d^2} \right]^2$$

$$\text{Gas: } h = \frac{GT_f}{P_f} \left[\frac{Q(\text{in scfh})}{7727 \times F_a \times F_{pv} \times K \times d^2 \times Y} \right]^2$$

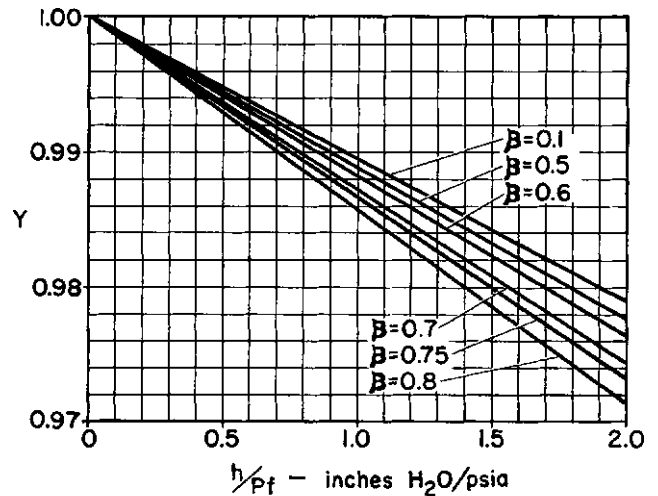
$$\text{Steam: } h = V \left[\frac{W(\text{lb/hr})}{359 \times F_a \times K \times d^2 \times Y} \right]^2$$

- d = bore diameter in inches
- F_a = thermal expansion factor of orifice plate
- G = specific gravity of gas
- gf = specific gravity of liquid at flow conditions
- h = differential pressure in in.H₂O
- K = flow coefficient
- P_f = process pressure in psia (psig + 14.7)
- Q = flow rate of gas
- q = flow rate of liquid
- T_f = process temperature in °R (°F = 460)
- V = specific volume of steam in cu ft/lb
- W = flow rate of steam
- Y = gas expansion factor

- F_{pv} = gas supercompressibility $F_{pv} = \sqrt{\frac{Z_b}{Z_F}}$
- Z_b = basic compressibility
- Z_F = flowing compressibility



A-904-50(1)



A-904-51(1)

ORIFICE CAPACITIES

1/2 inch Integral Orifice Capacity Table

Orifice Bore (Inches)	Differential Pressure (Inches H ₂ O)	Liquid ¹ Flow Rate US gpm	Gas ² Flow Rate scfh	Saturated Steam ³ Flow Rate pph
0.020	200	0.020	12.8	0.6
	100	0.0014	9.1	0.5
	50	0.010	6.4	0.3
	20	0.006	4.1	0.2
	10	0.004	2.9	0.1
0.035	200	0.060	38.7	1.9
	100	0.043	27.3	1.4
	50	0.030	19.3	1.0
	20	0.019	12.2	0.6
	10	0.014	8.6	0.4
0.065	200	0.205	131.0	6.6
	100	0.145	92.6	4.7
	50	0.102	65.5	3.3
	20	0.065	41.4	2.1
	10	0.046	29.3	1.5
0.113	200	0.616	394.5	19.8
	100	0.436	279.0	14.0
	50	0.308	197.3	9.9
	20	0.195	124.8	6.3
	10	0.138	88.2	4.4
0.150	200	1.086	695.2	34.9
	100	0.768	491.6	24.7
	50	0.543	347.6	17.5
	20	0.343	219.8	11.0
	10	0.243	155.4	7.8
0.196	200	1.863	1192.8	59.9
	100	1.317	843.4	42.4
	50	0.931	596.4	29.9
	20	0.589	377.2	18.9
	10	0.417	266.7	13.4
0.270	200	3.640	2330.9	82.8
	100	2.574	1648.2	58.5
	50	1.820	1165.4	37.0
	20	1.151	737.1	26.2
	10	0.814	521.2	117.0
0.340	200	6.051	3874.2	194.5
	100	4.279	2739.4	137.6
	50	3.025	1937.1	97.3
	20	1.913	1225.1	61.5
	10	1.353	866.3	43.5

1-1/2 inch Integral Orifice Capacity Table

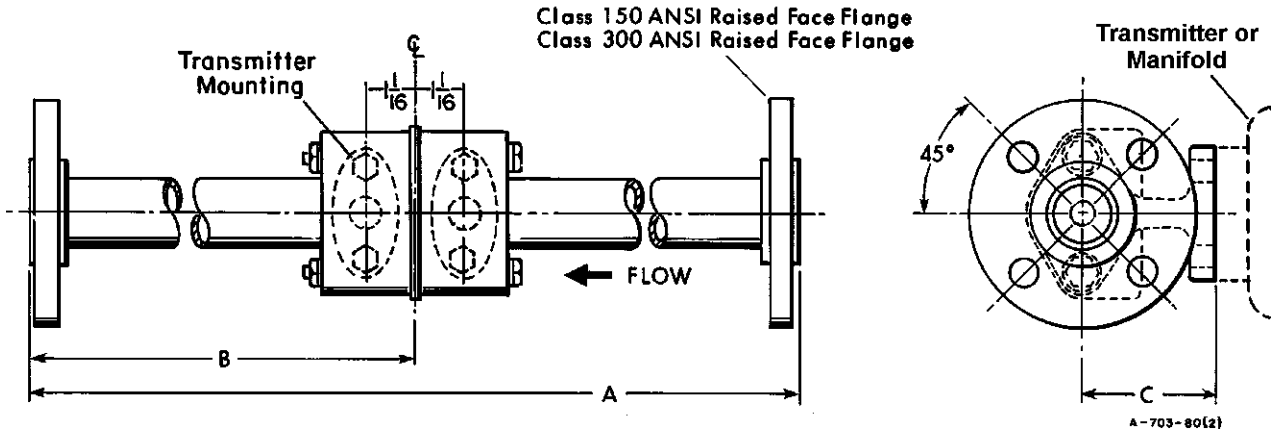
Orifice Bore (Inches)	Differential Pressure (Inches H ₂ O)	Liquid ¹ Flow Rate US gpm	Gas ² Flow Rate scfh	Saturated Steam ³ Flow Rate pph
0.500	200	12.244	7839.5	393.6
	100	8.658	5543.3	278.3
	50	6.122	3919.7	196.8
	20	3.872	2479.1	124.5
	10	2.738	1753.0	88.0
0.612	200	18.434	11802.6	592.6
	100	13.035	8345.7	419.1
	50	9.217	5901.3	296.3
	20	5.829	3732.3	187.4
	10	4.122	2639.1	132.5
0.750	200	28.090	17985.3	930.1
	100	19.863	12717.5	638.6
	50	14.045	8992.6	451.5
	20	8.883	5687.4	285.6
	10	6.281	4021.6	201.9
0.918	200	43.812	28051.6	1408.6
	100	30.980	19835.5	996.0
	50	21.906	14025.8	704.3
	20	13.855	8870.7	445.4
	10	9.797	6272.5	315.0

1 inch Integral Orifice Capacity Table

Orifice Bore (Inches)	Differential Pressure (Inches H ₂ O)	Liquid ¹ Flow Rate US gpm	Gas ² Flow Rate scfh	Saturated Steam ³ Flow Rate pph
0.020	200	0.021	13.2	0.7
	100	0.015	9.4	0.5
	50	0.010	6.6	0.3
	20	0.007	4.2	0.2
	10	0.005	3.0	0.1
0.035	200	0.062	39.9	1.9
	100	0.044	28.2	1.4
	50	0.031	20.0	1.0
	20	0.020	12.6	0.6
	10	0.014	8.9	0.4
0.065	200	0.210	134.4	6.8
	100	0.148	95.1	4.8
	50	0.105	67.2	3.4
	20	0.066	42.5	2.1
	10	0.047	30.1	1.5
0.113	200	0.619	396.5	19.9
	100	0.438	280.4	14.1
	50	0.310	198.2	10.0
	20	0.196	125.4	6.3
	10	0.138	88.7	4.5
0.150	200	1.089	697.5	35.0
	100	0.770	493.2	24.8
	50	0.545	348.7	17.5
	20	0.344	220.6	11.1
	10	0.244	156.0	7.8
0.196	200	1.857	1188.9	59.7
	100	1.313	840.7	42.2
	50	0.928	594.4	29.8
	20	0.587	376.0	18.9
	10	0.415	265.8	13.3
0.270	200	3.529	2259.8	113.5
	100	2.496	1597.9	80.2
	50	1.765	1129.9	56.7
	20	1.116	714.6	35.9
	10	0.789	505.3	25.4
0.340	200	5.606	3589.4	180.2
	100	3.964	2538.1	127.4
	50	2.803	1794.7	90.1
	20	1.773	1135.1	57.0
	10	1.254	802.6	40.3
0.500	200	12.625	8083.3	405.9
	100	8.927	5715.7	287.0
	50	6.312	4041.6	202.9
	20	3.992	2556.2	128.4
	10	2.823	1807.5	90.8
0.612	200	20.055	12840.6	644.8
	100	14.181	9079.7	455.9
	50	10.028	6420.3	322.4
	20	6.342	4060.6	203.9
	10	4.484	2871.2	144.2
0.735	200	30.962	19823.8	995.4
	100	21.893	14017.5	703.9
	50	15.481	9911.9	497.7
	20	9.791	6268.8	314.8
	10	6.923	4432.7	222.6

1. Based on water flow at 60°F (15.6°C).
2. Based on air flow at 100 psig and 60°F, with base condition of 14.7 psia and 60°F (15.6°C)
3. Based on saturated steam flow at 100 psig.
4. These tables are for approximation purposes only.

DIMENSIONS

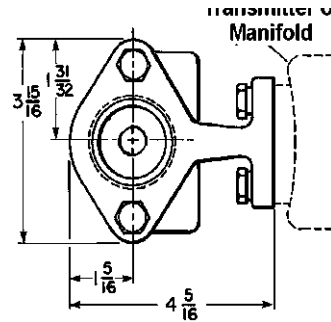
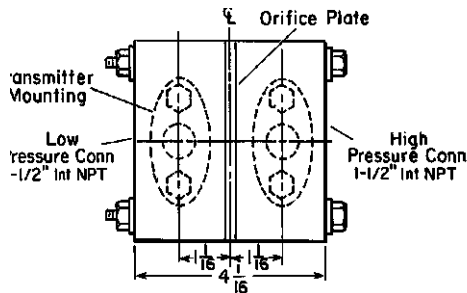


Part No	Pipe Size	A ± 3/16	B
1330LZ0	1/2	24	8
1330LZ1	1	24	8
1330LZ2	1	24	8
1330LZ3	1-1/2	38	8

Inches	MM
3/16	4.76
1-1/16	26.99
8	203.20
24	609.20
38	985.20

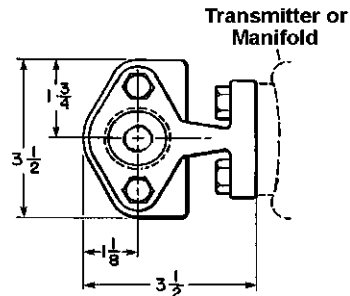
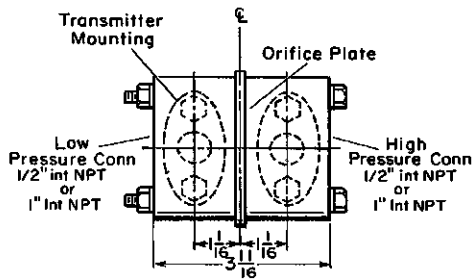
All dimensions in inches.

1/2" & 1" INTEGRAL ORIFICE FLOW ELEMENT



XB-1210-170(1)

1-1/2" INTEGRAL ORIFICE FLOW ELEMENT

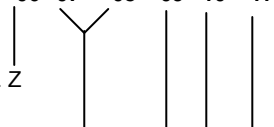


XB-1210-171(2)

INCHES	mm	INCHES	mm
1/2	12.7	1-31/32	50.01
1	25.4	3-1/2	88.9
1-1/8	28.57	3-11/16	93.66
1-1/16	26.99	3-15/16	100.01
1-5/16	33.34	4-1/16	103.9
1-1/2	38.10	4-5/16	109.54
1-3/4	44.45		

Model Number Designation

1330L Z 06 07 08 09 10 11



Unused - Unused	Z					
Pipe and Bore Size (no piping, no flanges, select from 9th character)						
1/2 in. (13 mm), 0.020 in. (0.51 mm)						01
1/2 in. (13 mm), 0.035 in. (0.89 mm)						02
1/2 in. (13 mm), 0.065 in. (1.65 mm)						03
1/2 in. (13 mm), 0.113 in. (2.87 mm)						04
1/2 in. (13 mm), 0.150 in. (3.81 mm)						05
1/2 in. (13 mm), 0.196 in. (4.98 mm)						06
1/2 in. (13 mm), 0.270 in. (6.86 mm)						07
1/2 in. (13 mm), 0.340 in. (8.64 mm)						08
1/2 in. (13 mm), special bore size (2)						09
1 in. (25 mm), 0.150 in. (3.81 mm)						11
1 in. (25 mm), 0.270 in. (6.86 mm)						12
1 in. (25 mm), 0.612 in. (15.54 mm)						13
1 in. (25 mm), 0.020 in. (0.51 mm)						21
1 in. (25 mm), 0.035 in. (0.89 mm)						22
1 in. (25 mm), 0.065 in. (1.65 mm)						23
1 in. (25 mm), 0.113 in. (2.87 mm)						24
1 in. (25 mm), 0.196 in. (4.98 mm)						25
1 in. (25 mm), 0.340 in. (8.64 mm)						26
1 in. (25 mm), 0.500 in. (12.70 mm)						27
1 in. (25 mm), 0.735 in. (18.67 mm)						28
1 in. (25 mm), special bore size (2)						29
1-1/2 in. (40 mm), 0.500 in. (12.70 mm)						31
1-1/2 in. (40 mm), 0.612 in. (15.54 mm)						32
1-1/2 in. (40 mm), 0.750 in. (19.05 mm)						33
1-1/2 in. (40 mm), 0.918 in. (23.32 mm)						34
1-1/2 in. (40 mm), 1.127 in. (28.63 mm)						35
1-1/2 in. (40 mm), special bore size (2)						39
Upstream, Downstream Piping and Mating Flange Connection						
No pipe, no flanges						0
Class 150 ANSI flange and Schedule 40 pipe						
1/2 in. and 1 in.						1
1-1/2 in.						1
Class 300 ANSI flange and Schedule 40 pipe						
1/2 in. and 1 in.						2
1-1/2 in.						2
Class 150 ANSI flange and Schedule 80 pipe						
1/2 in. and 1 in.						A
1-1/2 in.						A
Class 300 ANSI flange and Schedule 80 pipe						
1/2 in. and 1 in.						B
1-1/2 in.						B
Construction Material						
316 SST body with 316 SST orifice plate - NACE						0
316 SST body with Hastelloy C ¹ orifice plate - NACE						4
Reserved for special constructions that do not comply with NACE						9
Calibration						
No calibration						0
Water calibration						1
No calibration with transmitter mounting						A
Water calibration with transmitter mounting						B
Instruction Manual (One copy supplied with order at No Charge)						IB-04H104

¹Trademark of Haynes International, Inc.

²Special bore size to be specified at time of order placement

Model Number Designation

Optional Extras:

Orifice bore Calculation (Applies to Special Bore Only)

Replacement Orifice Plate Kits

Consist of standard bore orifice plate and two
silicone-ceramic filled TFE gaskets.

Adapter Kit 155S711 for remote mounting of
transmitter.

Oxygen Service Cleaning - per CGA-G4.

Contact us

ABB Limited

Process Automation

Salterbeck Trading Estate
Workington, Cumbria
CA14 5DS
UK

Tel: +44 (0)1946 830 611

Fax: +44 (0)1946 832 661

ABB Inc.

Process Automation

125 E. County Line Road
Warminster
PA 18974
USA

Tel: +1 215 674 6000

Fax: +1 215 674 7183

www.abb.com

Note

We reserve the right to make technical changes or modify the contents of this document without prior notice. With regard to purchase orders, the agreed particulars shall prevail. ABB does not accept any responsibility whatsoever for potential errors or possible lack of information in this document.

We reserve all rights in this document and in the subject matter and illustrations contained therein. Any reproduction, disclosure to third parties or utilization of its contents in whole or in parts – is forbidden without prior written consent of ABB.

Copyright© 2015 ABB

All rights reserved



Sales



Service