

Pressure gauge



AVENTICS™ Pressure gauge

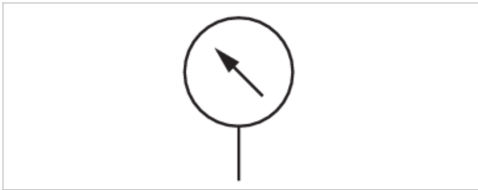


Pressure gauge, Series PG1-SAS

- Back port
- Background color Black
- Scale color White, Grey
- Viewing window Polystyrene
- Units bar
- Units psi



Type	Bourdon tube pressure gauge
Standardization	EN 837-1
Class	2,5
Ambient temperature min./max.	-40 ... 60 °C
Medium	Compressed air
Main scale unit (outside)	bar
Main scale color (outside)	White
Secondary scale unit (inside)	psi
Secondary scale color (inside)	Grey
Background color	Black
Pointer color	White
Weight	See table below



Technical data

Part No.	Compressed air connection	Nominal diameter	Range of application	Display range	Operating pressure	Scale value
R412003853	G 1/8	40 mm	0 bar ... 1.2	0 bar ... 1.6	0 ... 1.6 bar	0.05
R412003854	G 1/8	40 mm	0 bar ... 2	0 bar ... 2.5	0 ... 2.5 bar	0.1
R412003855	G 1/8	40 mm	0 bar ... 3.2	0 bar ... 4	0 ... 4 bar	0.1
R412003856	G 1/8	40 mm	0 bar ... 4	0 bar ... 6	0 ... 6 bar	0.2
R412003857	G 1/8	40 mm	0 bar ... 8	0 bar ... 10	0 ... 10 bar	0.2
R412003858	G 1/8	40 mm	0 bar ... 12	0 bar ... 16	0 ... 16 bar	0.5
R412004407	G 1/4	40 mm	0 bar ... 1.2	0 bar ... 1.6	0 ... 1.6 bar	0.05
R412004408	G 1/4	40 mm	0 bar ... 2	0 bar ... 2.5	0 ... 2.5 bar	0.1
R412004409	G 1/4	40 mm	0 bar ... 3.2	0 bar ... 4	0 ... 4 bar	0.1
R412004410	G 1/4	40 mm	0 bar ... 4	0 bar ... 6	0 ... 6 bar	0.2
R412004411	G 1/4	40 mm	0 bar ... 8	0 bar ... 10	0 ... 10 bar	0.2
R412004412	G 1/4	40 mm	0 bar ... 12	0 bar ... 16	0 ... 16 bar	0.5
R412004413	G 1/4	50 mm	0 bar ... 1.2	0 bar ... 1.6	0 ... 1.6 bar	0.05
R412004414	G 1/4	50 mm	0 bar ... 2	0 bar ... 2.5	0 ... 2.5 bar	0.1
R412004415	G 1/4	50 mm	0 bar ... 3.2	0 bar ... 4	0 ... 4 bar	0.1
R412004416	G 1/4	50 mm	0 bar ... 4	0 bar ... 6	0 ... 6 bar	0.2
R412004417	G 1/4	50 mm	0 bar ... 8 bar	0 bar ... 10 bar	0 ... 10 bar	0.2
R412004418	G 1/4	50 mm	0 bar ... 12	0 bar ... 16	0 ... 16 bar	0.5
R412007898	G 1/4	50 mm	0 bar ... 20	0 bar ... 25	0 ... 25 bar	1

Part No.	Compressed air connection	Nominal diameter	Range of application	Display range	Operating pressure	Scale value
R412004419	G 1/4	63 mm	0 bar ... 1.2	0 bar ... 1.6	0 ... 1.6 bar	0.05
R412004420	G 1/4	63 mm	0 bar ... 2	0 bar ... 2.5	0 ... 2.5 bar	0.1
R412004421	G 1/4	63 mm	0 bar ... 3.2	0 bar ... 4	0 ... 4 bar	0.1
R412004422	G 1/4	63 mm	0 bar ... 4	0 bar ... 6	0 ... 6 bar	0.2
R412004423	G 1/4	63 mm	0 bar ... 8	0 bar ... 10	0 ... 10 bar	0.2
R412004424	G 1/4	63 mm	0 bar ... 12	0 bar ... 16	0 ... 16 bar	0.5

Part No.	Weight	Fig.	
R412003853	0.08 kg	Fig. 4	-
R412003854	0.08 kg	Fig. 4	-
R412003855	0.08 kg	Fig. 4	-
R412003856	0.08 kg	Fig. 4	-
R412003857	0.08 kg	Fig. 4	-
R412003858	0.08 kg	Fig. 4	-
R412004407	0.08 kg	Fig. 1	-
R412004408	0.08 kg	Fig. 1	-
R412004409	0.08 kg	Fig. 1	-
R412004410	0.08 kg	Fig. 1	-
R412004411	0.08 kg	Fig. 1	-
R412004412	0.08 kg	Fig. 1	-
R412004413	0.09 kg	Fig. 2	-
R412004414	0.09 kg	Fig. 2	-
R412004415	0.09 kg	Fig. 2	-
R412004416	0.09 kg	Fig. 2	-
R412004417	0.09 kg	Fig. 2	1)
R412004418	0.09 kg	Fig. 2	1)
R412007898	0.09 kg	Fig. 2	-
R412004419	0.1 kg	Fig. 3	-
R412004420	0.1 kg	Fig. 3	-
R412004421	0.1 kg	Fig. 3	-
R412004422	0.1 kg	Fig. 3	-
R412004423	0.1 kg	Fig. 3	-
R412004424	0.1 kg	Fig. 3	-

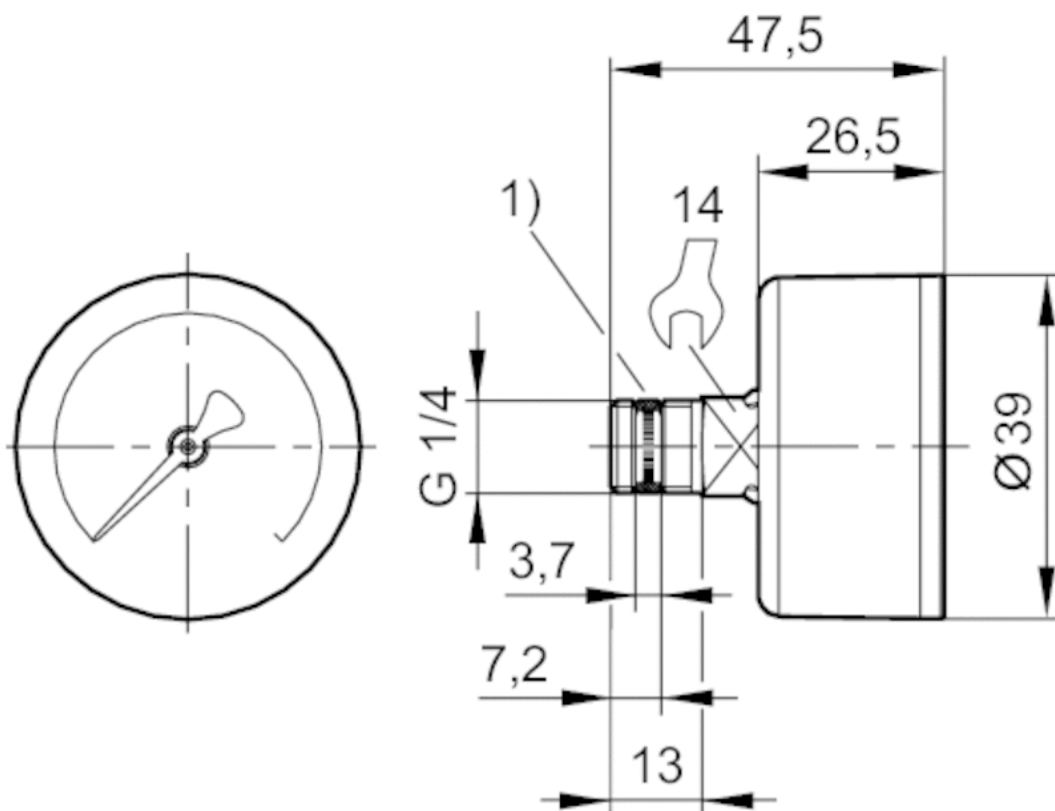
1) Suitable for use in Ex zones 1, 2, 21, 22.

Technical information

Material	
Housing	Acrylonitrile butadiene styrene
Thread	Brass
Viewing window	Polystyrene
Seal	Polytetrafluorethylene

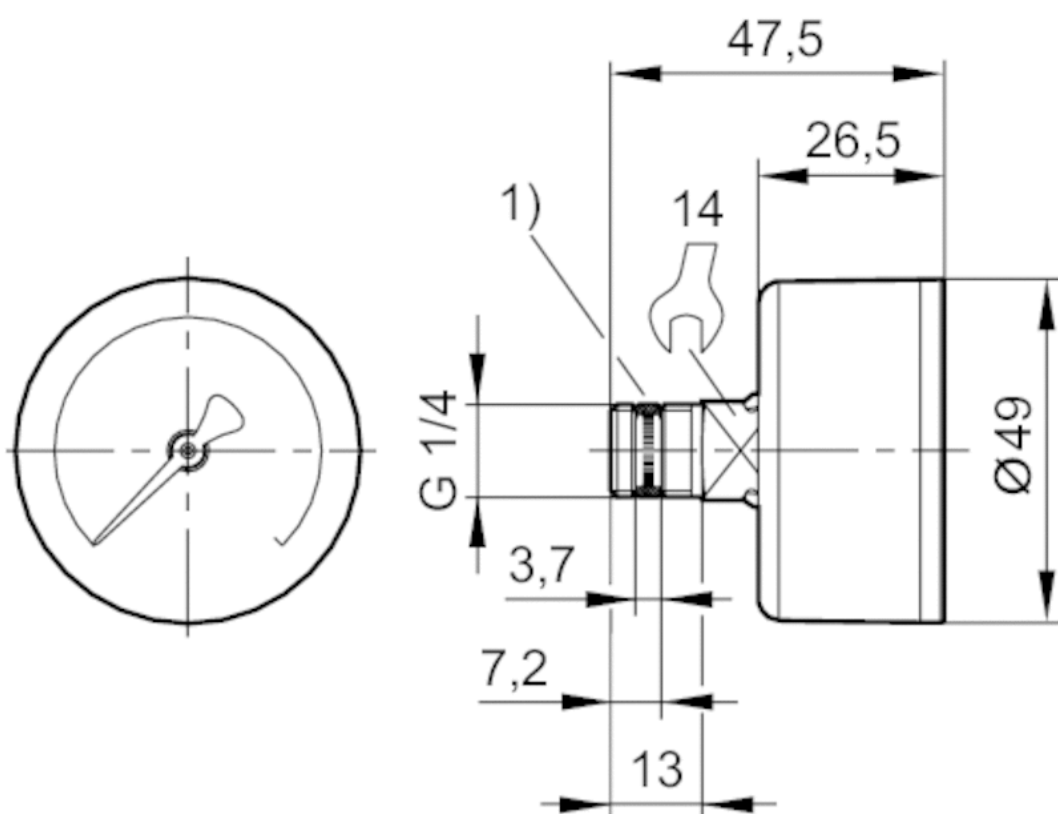
Dimensions

Dimensions in mm, Fig. 1



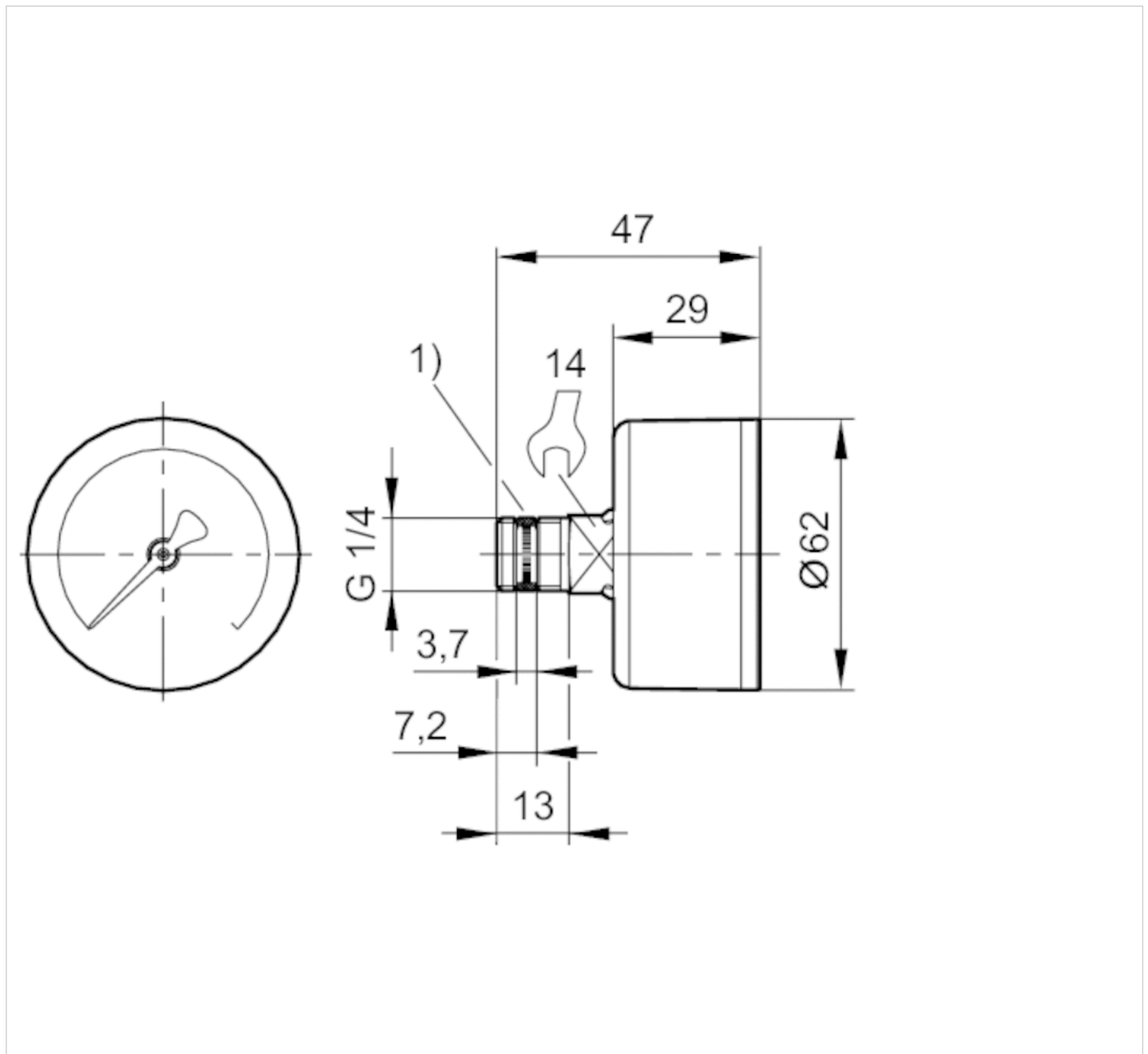
1) Gasket thread

Dimensions in mm, Fig. 2



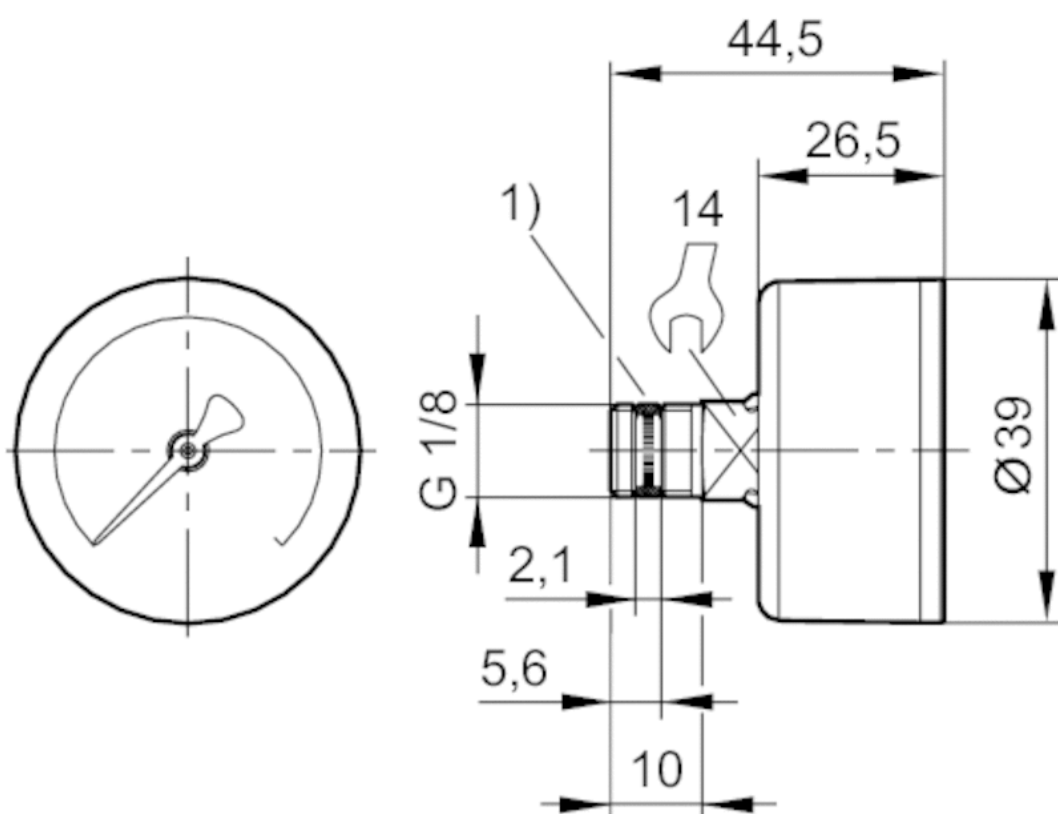
1) Gasket thread

Dimensions in mm, Fig. 3



1) Gasket thread

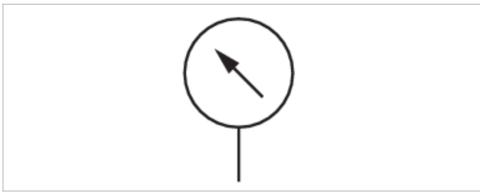
Dimensions in mm, Fig. 4



1) Gasket thread

Pressure gauge, Series PG1-SAS-ADJ

- Back port
- with adjustable work area display
- Background color Black
- Scale color White, Grey
- Viewing window Polystyrene
- Units bar
- Units psi



Type	Bourdon tube pressure gauge
Version	with adjustable work area display
Standardization	EN 837-1
Class	2,5
Ambient temperature min./max.	-40 ... 60 °C
Medium	Compressed air
Work area	adjustable work area display
Work Area Display, Color	Red Green
Main scale unit (outside)	bar
Main scale color (outside)	White
Secondary scale unit (inside)	psi
Secondary scale color (inside)	Grey
Background color	Black
Pointer color	White
Weight	0.1 kg

Technical data

Part No.	Compressed air connection	Nominal diameter	Range of application	Display range	Operating pressure	Scale value
R412007867	G 1/4	50 mm	0 bar ... 1.2	0 bar ... 1.6	0 ... 1.6 bar	0.05
R412007868	G 1/4	50 mm	0 bar ... 2	0 bar ... 2.5	0 ... 2.5 bar	0.1
R412007869	G 1/4	50 mm	0 bar ... 3.2	0 bar ... 4	0 ... 4 bar	0.1
R412007870	G 1/4	50 mm	0 bar ... 4	0 bar ... 6	0 ... 6 bar	0.2
R412007871	G 1/4	50 mm	0 bar ... 8	0 bar ... 10	0 ... 10 bar	0.2
R412007872	G 1/4	50 mm	0 bar ... 12	0 bar ... 16	0 ... 16 bar	0.5

Technical information

To set the operating range, the cover (inspection glass) must be removed. To do this, carefully lift the inspection glass by inserting a pointed or flat object in the slot provided for this purpose on the housing circumference.

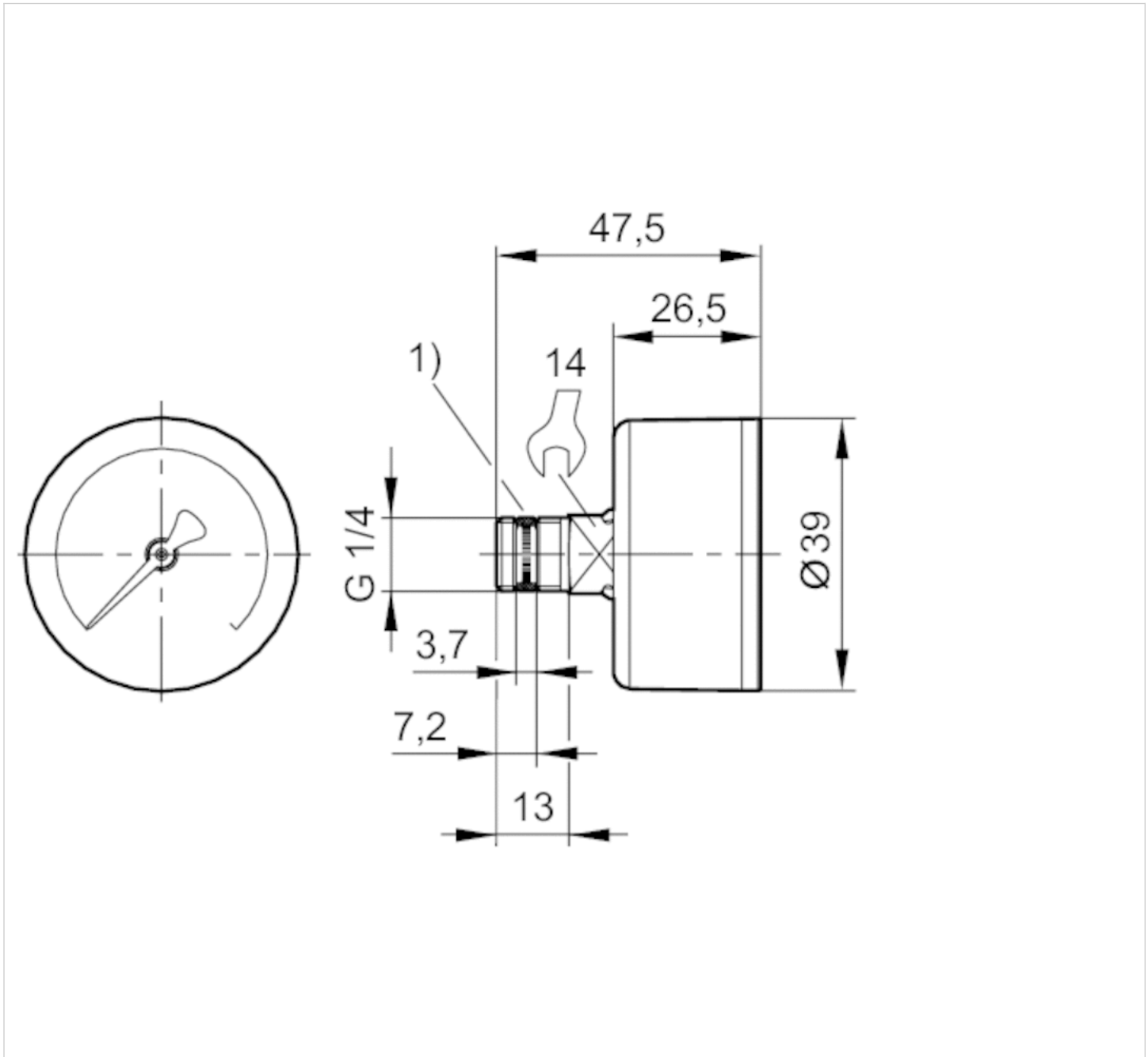
Technical information

Material	
Housing	Acrylonitrile butadiene styrene
Thread	Brass

Material	
Viewing window	Polystyrene
Seal	Polytetrafluorethylene

Dimensions

Dimensions in mm, Fig. 1



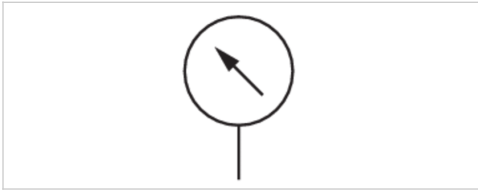
1) Gasket thread

Dimensions in mm

Compressed air connection	Nominal diameter	Ø A	B	C	D	E	F	SW
G 1/4	50 mm	49	47.5	26.5	13	7.2	3.7	14

Pressure gauge, Series PG1-SNL

- Back port
- Background color Black
- Scale color Green, White
- Viewing window Polystyrene
- Units bar
- Units psi



Type	Bourdon tube pressure gauge
Seal	Axial
Standardization	EN 837-1
Class	1,6
Ambient temperature min./max.	-40 ... 60 °C
Medium	Compressed air
Main scale unit (outside)	bar
Main scale color (outside)	Green
Secondary scale unit (inside)	psi
Secondary scale color (inside)	White
Background color	Black
Pointer color	White
Weight	See table below

Technical data

Part No.	Compressed air connection	Nominal diameter	Range of application	Display range	Operating pressure	Scale value
1827231053	G 1/8	40 mm	-0.8 ... 0 bar	-1 ... 0 bar	-1 ... 0 bar	0.1
1827231048	G 1/8	40 mm	0 ... 1.7 bar	0 ... 2.5 bar	0 ... 2.5 bar	0.1
1827231024	G 1/8	40 mm	0 ... 8 bar	0 ... 10 bar	0 ... 10 bar	0.5
1827231009	G 1/8	40 mm	0 ... 12 bar	0 ... 16 bar	0 ... 16 bar	0.5
1827231057	G 1/4	40 mm	-0.8 ... 0 bar	-1 ... 0 bar	-1 ... 0 bar	0.1
1827231047	G 1/4	40 mm	0 ... 10 bar	0 ... 16 bar	0 ... 16 bar	0.5
1827231059	G 1/4	40 mm	0 ... 4 bar	0 ... 6 bar	0 ... 6 bar	0.2
1827231060	G 1/4	40 mm	0 ... 8 bar	0 ... 10 bar	0 ... 10 bar	0.5
1827231054	G 1/4	50 mm	-0.8 ... 0 bar	-1 ... 0 bar	-1 ... 0 bar	0.1
1827231012	G 1/4	50 mm	0 ... 2 bar	0 ... 2.5 bar	0 ... 2.5 bar	0.1
1827231016	G 1/4	50 mm	0 ... 4 bar	0 ... 6 bar	0 ... 6 bar	0.2
1827231015	G 1/4	50 mm	0 ... 8 bar	0 ... 10 bar	0 ... 10 bar	0.5
1827231010	G 1/4	50 mm	0 ... 12 bar	0 ... 16 bar	0 ... 16 bar	0.5
1827231055	G 1/4	63 mm	-0.8 ... 0 bar	-1 ... 0 bar	-1 ... 0 bar	0.1
1827231011	G 1/4	63 mm	0 ... 12 bar	0 ... 16 bar	0 ... 16 bar	0.5

Part No.	Weight
1827231053	0.06 kg

Part No.	Weight	
1827231048	0.06 kg	-
1827231024	0.06 kg	1)
1827231009	0.06 kg	1)
1827231057	0.06 kg	-
1827231047	0.06 kg	1)
1827231059	0.06 kg	-
1827231060	0.06 kg	1)
1827231054	0.09 kg	-
1827231012	0.09 kg	-
1827231016	0.09 kg	1)
1827231015	0.09 kg	1)
1827231010	0.09 kg	1)
1827231055	0.1 kg	-
1827231011	0.1 kg	1)

Order seal 1829202004 separately

1) Suitable for use in Ex zones 1, 2, 21, 22.

Technical information

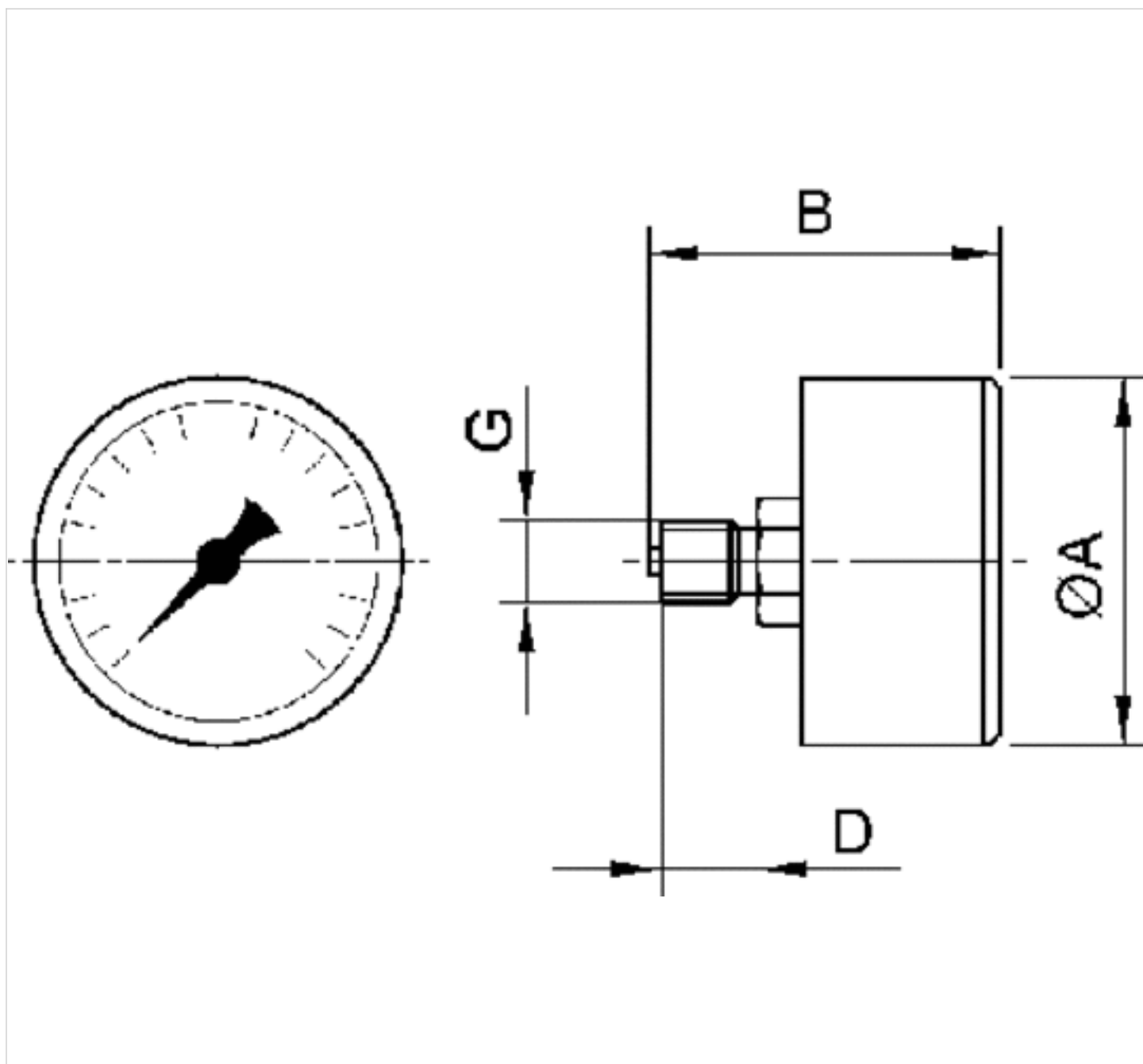
Order axial seal separately

Technical information

Material	
Housing	Acrylonitrile butadiene styrene
Thread	Brass
Viewing window	Polystyrene

Dimensions

Dimensions

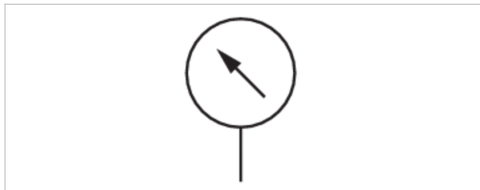


Dimensions in mm

G	Nominal diameter	Ø A	B	D
G 1/8	40 mm	39	44	10
G 1/4	40 mm	41	41.5	10
G 1/4	50 mm	49	47.5	13
G 1/4	63 mm	63	48.3	13

Pressure gauge, Series PG1-SNL-ADJ

- Back port
- with adjustable work area display
- Background color White
- Scale color Black
- Viewing window Polystyrene
- Units bar



Type	Bourdon tube pressure gauge
Version	with adjustable work area display
Seal	Axial
Standardization	EN 837-1
Class	2,5
Ambient temperature min./max.	-40 ... 60 °C
Medium	Compressed air
Work area	adjustable work area display
Work Area Display, Color	Red Green
Main scale unit (outside)	bar
Main scale color (outside)	Black
Background color	White
Pointer color	Black
Weight	0.09 kg

Technical data

Part No.	Compressed air connection	Nominal diameter	Range of application	Display range	Operating pressure	Scale value
1827231075	G 1/8	50 mm	0 bar ... 1.2	0 bar ... 1.6	0 ... 1.6 bar	0.05
1827231076	G 1/8	50 mm	0 bar ... 2	0 bar ... 2.5	0 ... 2.5 bar	0.1
1827231077	G 1/8	50 mm	0 bar ... 3.2	0 bar ... 4	0 ... 4 bar	0.2
1827231078	G 1/8	50 mm	0 bar ... 4	0 bar ... 6	0 ... 6 bar	0.2
1827231079	G 1/8	50 mm	0 bar ... 8	0 bar ... 10	0 ... 10 bar	0.5
1827231080	G 1/8	50 mm	0 bar ... 12	0 bar ... 16	0 ... 16 bar	0.5
R412003474	G 1/4	50 mm	0 bar ... 1.2	0 bar ... 1.6	0 ... 1.6 bar	0.05
R412003475	G 1/4	50 mm	0 bar ... 2	0 bar ... 2.5	0 ... 2.5 bar	0.1
R412003476	G 1/4	50 mm	0 bar ... 3.2	0 bar ... 4	0 ... 4 bar	0.2
R412003477	G 1/4	50 mm	0 bar ... 4	0 bar ... 6	0 ... 6 bar	0.2
R412003478	G 1/4	50 mm	0 bar ... 8	0 bar ... 10	0 ... 10 bar	0.5
R412003479	G 1/4	50 mm	0 bar ... 12	0 bar ... 16	0 ... 16 bar	0.5

Technical information

To set the operating range, the cover (inspection glass) must be removed. To do this, carefully lift the inspection glass by inserting a pointed or flat object in the slot provided for this purpose on the housing circumference.

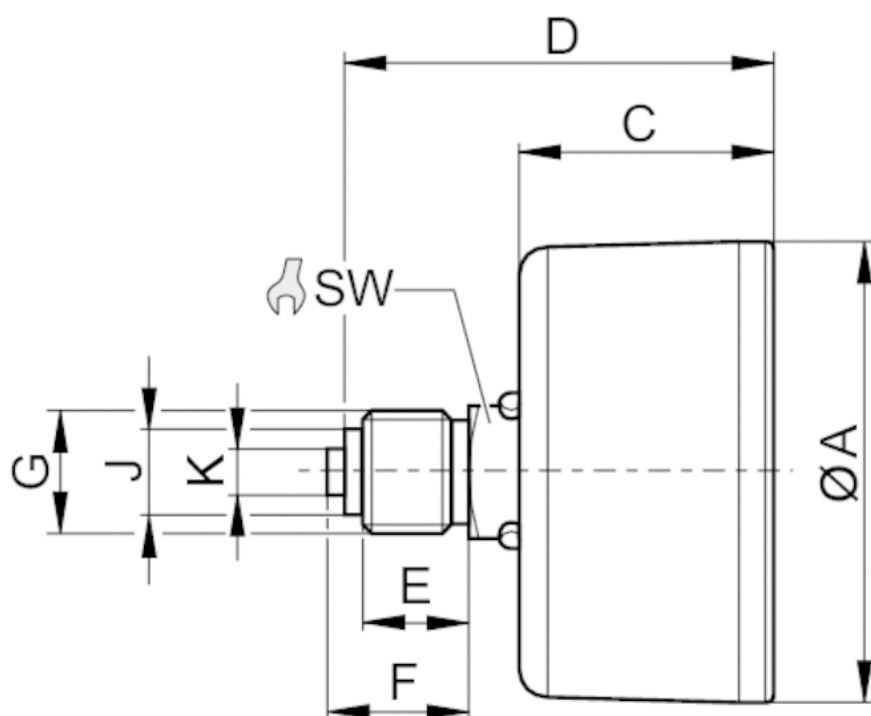
Order axial seal separately

Technical information

Material	
Housing	Acrylonitrile butadiene styrene
Thread	Brass
Viewing window	Polystyrene

Dimensions

Dimensions

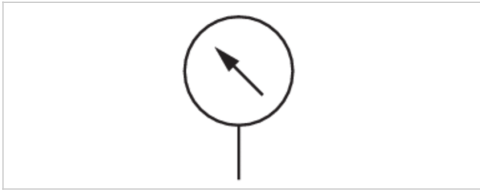


Dimensions

Compressed air connection	Nominal diameter	Ø A	C	D	E	F	J	K	SW
G 1/8	50 mm	49	26.5	41.5	8	10	8	–	14
G 1/4	50 mm	49	26.5	44.5	11	15	9.5	5	14

Pressure gauge, Series PG1-SNL

- Back port
- Background color Black
- Scale color Green, White
- Viewing window Mineral glass
- Units bar
- Units psi



Type	Bourdon tube pressure gauge
Seal	Axial
Standardization	EN 837-1
Class	1,6
Ambient temperature min./max.	-40 ... 60 °C
Medium	Compressed air
Main scale unit (outside)	bar
Main scale color (outside)	Green
Secondary scale unit (inside)	psi
Secondary scale color (inside)	White
Background color	Black
Pointer color	White
Weight	0.09 kg

Technical data

Part No.	Compressed air connection	Nominal diameter	Range of application	Display range	Operating pressure	Scale value
R412004987	G 1/4	50 mm	0 ... 12 bar	0 ... 16 bar	0 ... 16 bar	0.5

Technical information

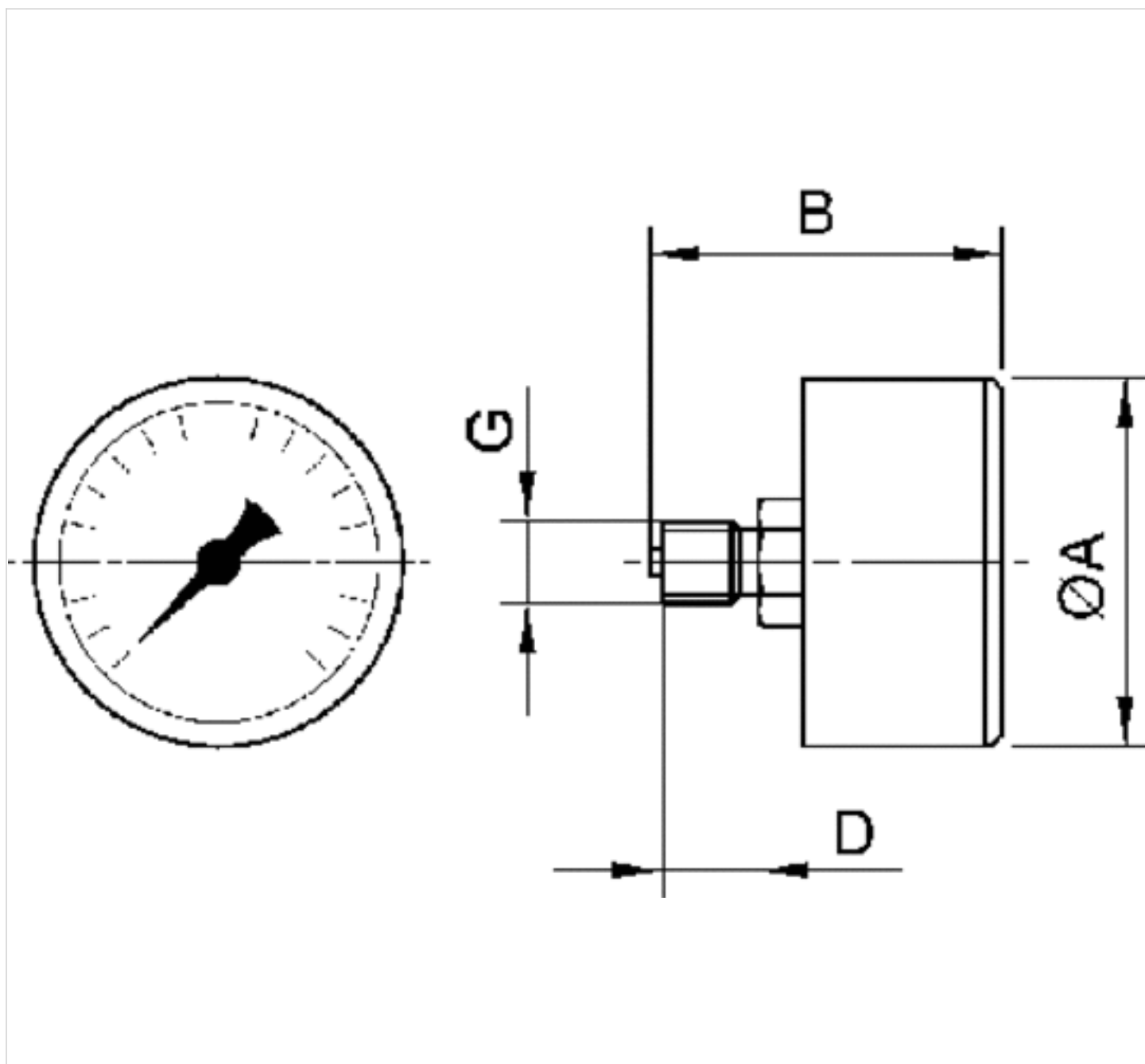
Suitable for use in Ex zones 1, 2, 21, 22.
Order axial seal separately

Technical information

Material	
Housing	Acrylonitrile butadiene styrene
Thread	Brass
Viewing window	Mineral glass

Dimensions

Dimensions

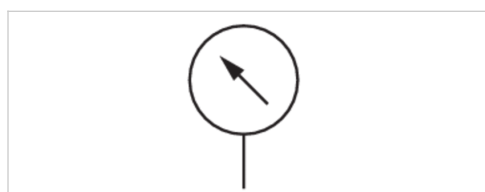


Dimensions in mm

G	Nominal diameter	Ø A	B	D
G 1/4	50 mm	49	47.5	13

Pressure gauge, Series PG1-SNL

- For panel installation
- Background color Black
- Scale color Green, White
- Viewing window Polystyrene
- Units bar
- Units psi



Type	Bourdon tube pressure gauge
Mounting	with U-clip
Seal	Axial
Standardization	EN 837-1
Ambient temperature min./max.	-40 ... 60 °C
Medium	Compressed air
Main scale unit (outside)	bar
Main scale color (outside)	Green
Secondary scale unit (inside)	psi
Secondary scale color (inside)	White
Background color	Black
Pointer color	White
Weight	See table below

Technical data

Part No.	Compressed air connection	Nominal diameter	Range of application	Display range	Operating pressure	Scale value	Class
1827231040	G 1/8	40 mm	-0.8 ... 0	0 ... 1	-1 ... 0 bar	0.1	1,6
1827231042	G 1/8	40 mm	0 ... 2	0 ... 2.5	0 ... 2.5 bar	0.1	1,6
1827231041	G 1/8	40 mm	0 ... 4	0 ... 6	0 ... 6 bar	0.2	1,6
1827231030	G 1/8	40 mm	0 ... 8	0 ... 10	0 ... 10 bar	0.5	1,6
1827231031	G 1/8	40 mm	0 ... 12	0 ... 16	0 ... 16 bar	0.5	2,5
1827231032	G 1/4	50 mm	0 ... 2	0 ... 2.5	0 ... 2.5 bar	0.1	1,6
1827231036	G 1/4	63 mm	0 ... 2	0 ... 2.5	0 ... 2.5 bar	0.1	1,6
1827231033	G 1/4	50 mm	0 ... 4	0 ... 6	0 ... 6 bar	0.2	1,6
1827231037	G 1/4	63 mm	0 ... 4	0 ... 6	0 ... 6 bar	0.2	1,6
1827231034	G 1/4	50 mm	0 ... 8	0 ... 10	0 ... 10 bar	0.5	1,6
1827231038	G 1/4	63 mm	0 ... 8	0 ... 10	0 ... 10 bar	0.5	1,6
1827231035	G 1/4	50 mm	0 ... 12	0 ... 16	0 ... 16 bar	0.5	1,6
1827231039	G 1/4	63 mm	0 ... 12	0 ... 16	0 ... 16 bar	0.5	1,6

Part No.	Weight	
1827231040	0.097 kg	1)
1827231042	0.097 kg	-
1827231041	0.097 kg	-

Part No.	Weight	
1827231030	0.097 kg	-
1827231031	0.097 kg	-
1827231032	0.148 kg	-
1827231036	0.19 kg	-
1827231033	0.148 kg	-
1827231037	0.19 kg	-
1827231034	0.148 kg	-
1827231038	0.19 kg	-
1827231035	0.148 kg	-
1827231039	0.19 kg	-

1) Vacuum

Technical information

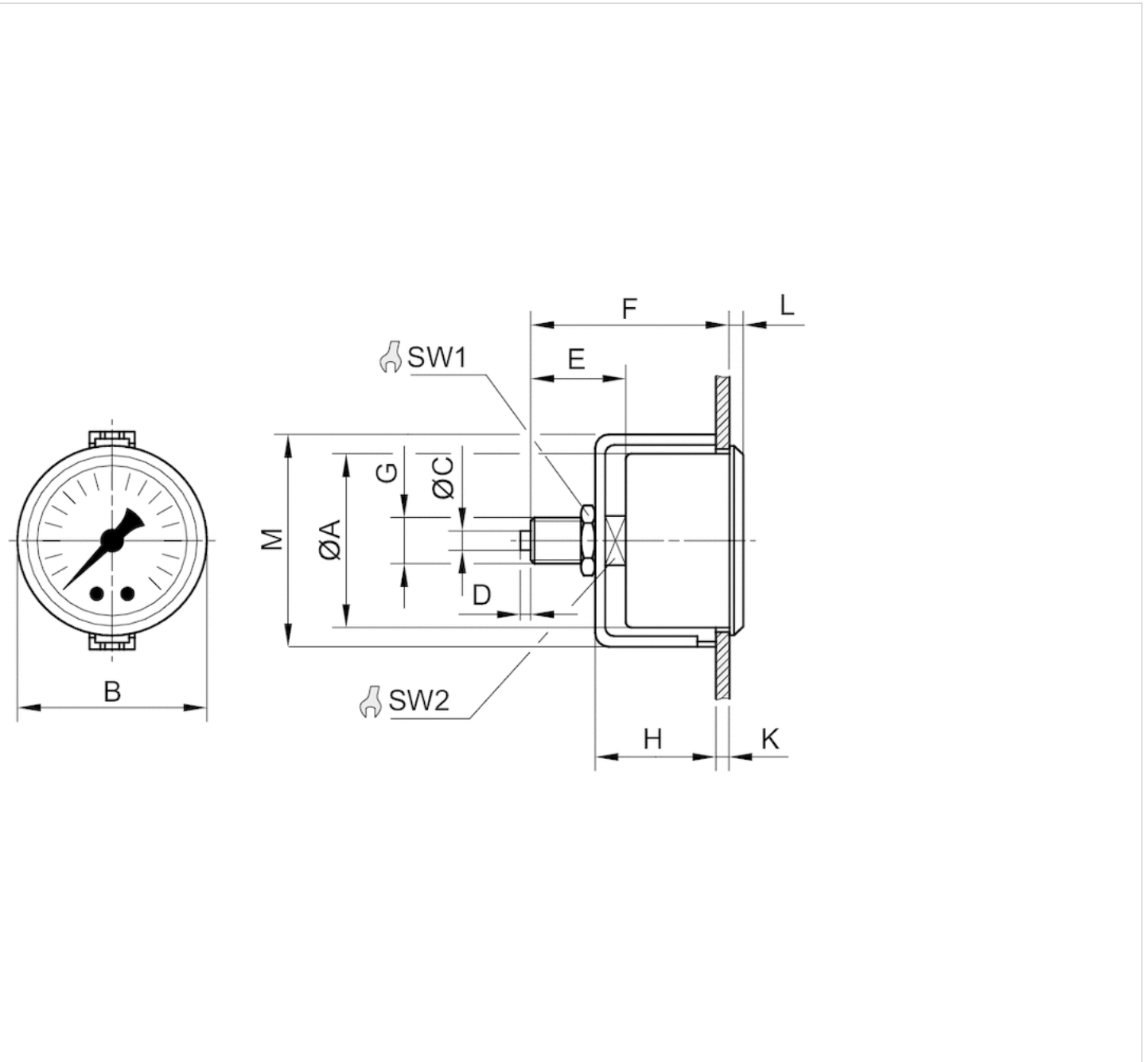
Order axial seal separately

Technical information

Material	
Housing	Steel
Thread	Brass
Front ring	Steel, chrome-plated
Viewing window	Polystyrene

Dimensions

Dimensions



Dimensions in mm

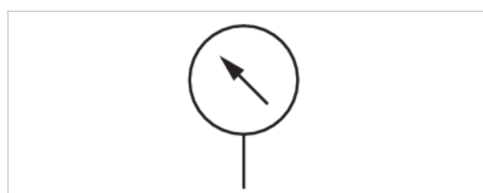
Compressed air connection	Nominal diameter	Ø A	B	C	D	E	F	H	K	L	M	SW1
G 1/8	40 mm	40	43	-	-	25.5	49	32	4	4	49	17
G 1/4	50 mm	50	54	5	3	29.5	51.5	34.5	3	4.5	61	17
G 1/4	63 mm	62	67	5	3	27	53	36.3	4.2	5.5	75	17
G 1/4	50 mm	50	54	5	3	29.5	51.5	34.5	3	4.5	61	17
G 1/4	63 mm	62	67	5	3	27	53	36.3	4.2	5.5	75	17
G 1/4	50 mm	50	54	5	3	29.5	51.5	34.5	3	4.5	61	17
G 1/4	63 mm	62	67	5	3	27	53	36.3	4.2	5.5	75	17
G 1/4	50 mm	50	54	5	3	29.5	51.5	34.5	3	4.5	61	17

Compressed air connection	Nominal diameter	Ø A	B	C	D	E	F	H	K	L	M	SW1
G 1/4	63 mm	62	67	5	3	27	53	36.3	4.2	5.5	75	17

SW2												
14												
14												
14												
14												
14												
14												
14												
14												
14												
14												

Pressure gauge, Series PG1-SNL

- Back port
- Background color Black
- Scale color Green, White
- Viewing window Polystyrene
- Units bar
- Units psi
- suitable for ATEX



Type	Bourdon tube pressure gauge
Seal	Axial
Standardization	EN 837-1
Class	1,6
Ambient temperature min./max.	-40 ... 60 °C
Medium	Compressed air
Main scale unit (outside)	bar
Main scale color (outside)	Green
Secondary scale unit (inside)	psi
Secondary scale color (inside)	White
Background color	Black
Pointer color	White
Weight	0.06 kg

Technical data

Part No.	Compressed air connection	Nominal diameter	Range of application	Display range	Operating pressure	Scale value
1827231018	G 1/8	40 mm	0 ... 4 bar	0 ... 6 bar	0 ... 6 bar	0.2

Order seal 1829202004 separately

Suitable for use in Ex zones 1, 2, 21, 22.

Technical information

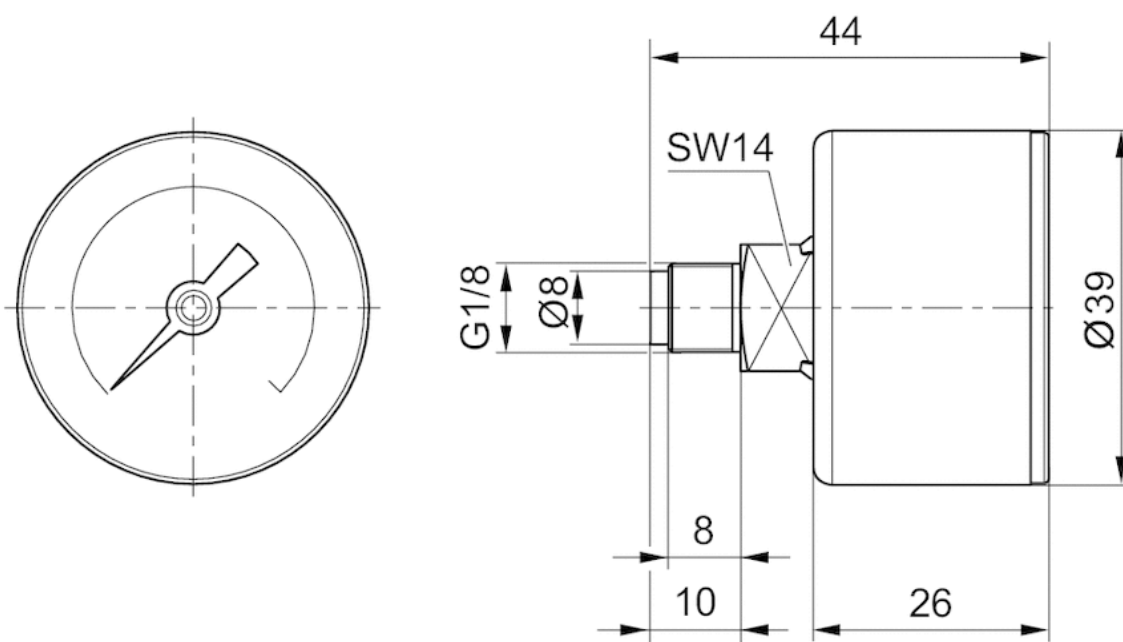
Order axial seal separately

Technical information

Material	
Housing	Acrylonitrile butadiene styrene
Thread	Brass
Front ring	Steel, chrome-plated
Viewing window	Polystyrene

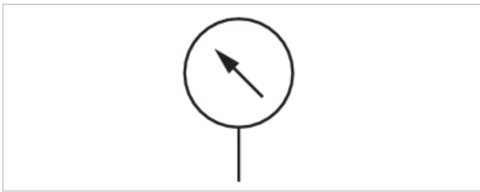
Dimensions

Dimensions in mm



Pressure gauge, Series PG1-SNL

- Back port
- Background color Black
- Scale color Green, White
- Viewing window Polystyrene
- Units bar
- Units psi
- suitable for ATEX



Type	Bourdon tube pressure gauge
Seal	Axial
Standardization	EN 837-1
Class	1,6
Ambient temperature min./max.	-40 ... 60 °C
Medium	Compressed air
Main scale unit (outside)	bar
Main scale color (outside)	Green
Secondary scale unit (inside)	psi
Secondary scale color (inside)	White
Background color	Black
Pointer color	White
Weight	0.09 kg

Technical data

Part No.	Compressed air connection	Nominal diameter	Range of application	Display range	Operating pressure	Scale value
1827231023	G 1/4	50 mm	0 ... 1.2	0 ... 1.6	0 ... 1.6 bar	0.05

Order seal 1829202004 separately

Technical information

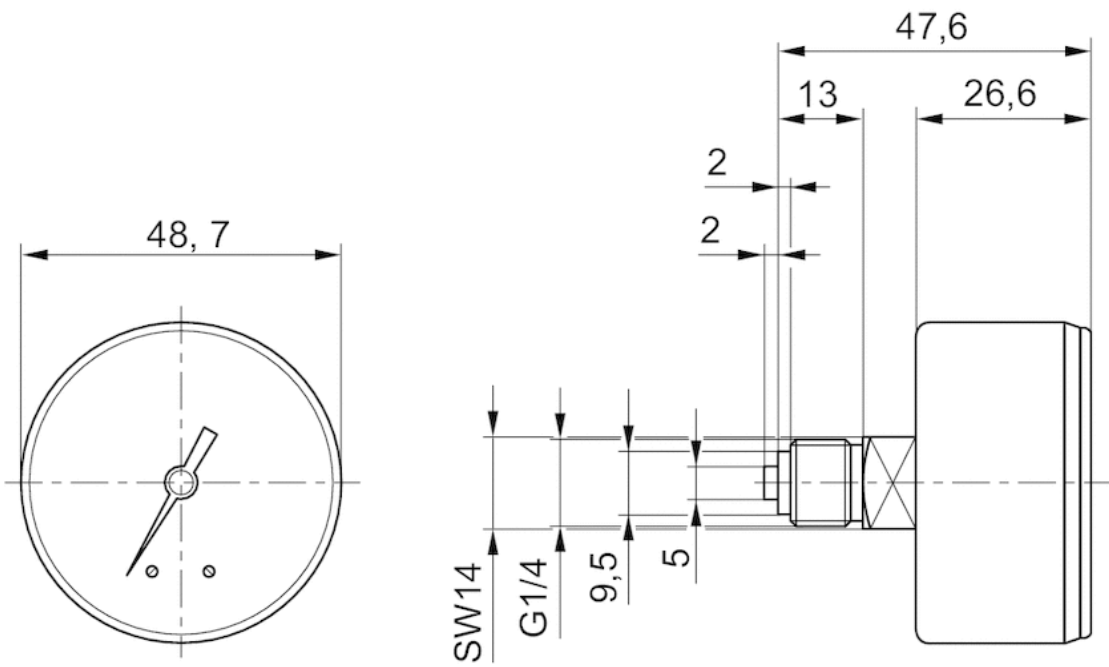
Order axial seal separately

Technical information

Material	
Housing	Acrylonitrile butadiene styrene
Thread	Brass
Front ring	Steel, chrome-plated
Viewing window	Polystyrene

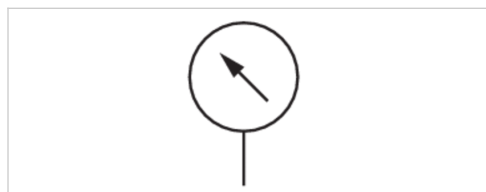
Dimensions

Dimensions in mm



Pressure gauge, Series PG1-STD

- Back port
- corrosion-protected
- Background color White
- Scale color Black, Red
- Viewing window Polystyrene
- Units bar
- Units psi



Type	Bourdon tube pressure gauge
Seal	Axial
Standardization	EN 837-1
Ambient temperature min./max.	-40 ... 60 °C
Medium	Compressed air
Main scale unit (outside)	bar
Main scale color (outside)	Black
Secondary scale unit (inside)	psi
Secondary scale color (inside)	Red
Background color	White
Pointer color	Black

Technical data

Part No.	Compressed air connection	Nominal diameter	Range of application	Display range	Operating pressure	Scale value	Class
1827231052	M5	26 mm	0 ... 8 bar	0 ... 10 bar	0 ... 10 bar	1	1,6
3530200160	R 1/8	40 mm	0 ... 2 bar	0 ... 2.5 bar	0 ... 3 bar	0.2	2,5
8901701290	G 1/8	26 mm	0 ... 3.2 bar	0 ... 4 bar	0 ... 4 bar	0.25	4
8901701270	G 1/8	26 mm	0 ... 10 bar	0 ... 12 bar	0 ... 12 bar	0.5	4
3530200130	R 1/8	40 mm	0 ... 1.2 bar	0 ... 1.6 bar	0 ... 1.6 bar	0.1	2,5
3530200120	R 1/8	40 mm	0 ... 3.2 bar	0 ... 4 bar	0 ... 4 bar	0.2	2,5
3530200110	R 1/8	40 mm	0 ... 4 bar	0 ... 6 bar	0 ... 6 bar	0.2	2,5
3530200100	R 1/8	40 mm	0 ... 8 bar	0 ... 10 bar	0 ... 10 bar	0.5	2,5
3530200150	R 1/8	40 mm	0 ... 10 bar	0 ... 12 bar	0 ... 12 bar	0.5	2,5
3530200140	R 1/8	40 mm	0 ... 12 bar	0 ... 16 bar	0 ... 16 bar	0.5	2,5
3530190150	R 1/8	50 mm	0 ... 1.2 bar	0 ... 1.6 bar	0 ... 1.6 bar	0.1	2,5
3530190120	R 1/8	50 mm	0 ... 2.5 bar	0 ... 3 bar	0 ... 3 bar	0.2	2,5
3530190130	R 1/8	50 mm	0 ... 3.2 bar	0 ... 4 bar	0 ... 4 bar	0.2	2,5
3530190110	R 1/8	50 mm	0 ... 4 bar	0 ... 6 bar	0 ... 6 bar	0.2	2,5
3530190100	R 1/8	50 mm	0 ... 10 bar	0 ... 12 bar	0 ... 12 bar	0.5	2,5
3530190140	R 1/8	50 mm	0 ... 12 bar	0 ... 16 bar	0 ... 16 bar	0.5	2,5
8901702070	G 1/4	50 mm	0 ... 10 bar	0 ... 12 bar	0 ... 12 bar	0.5	2,5
8901702090	G 1/4	63 mm	0 ... 10 bar	0 ... 12 bar	0 ... 12 bar	0.5	2,5

Part No.	
1827231052	1)
3530200160	-
8901701290	-
8901701270	-
3530200130	-
3530200120	-
3530200110	-
3530200100	-
3530200150	-
3530200140	-
3530190150	-
3530190120	-
3530190130	-
3530190110	-
3530190100	-
3530190140	-
8901702070	-
8901702090	-

1) Suitable for use in Ex zones 1, 2, 21, 22.

Technical information

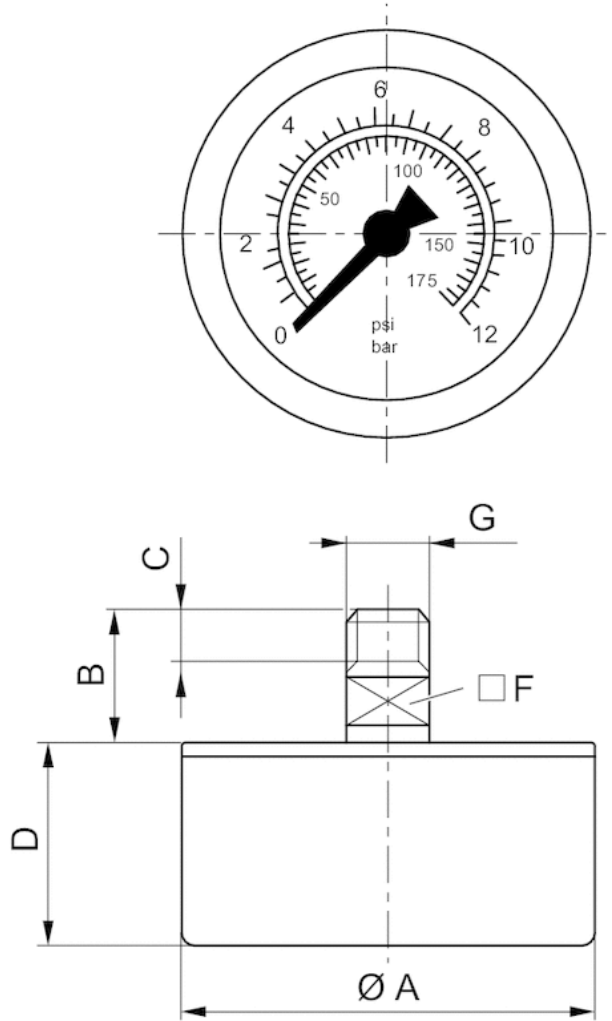
Order axial seal separately

Technical information

Material	
Housing	Acrylonitrile butadiene styrene
Thread	Brass
Viewing window	Polystyrene

Dimensions

Dimensions



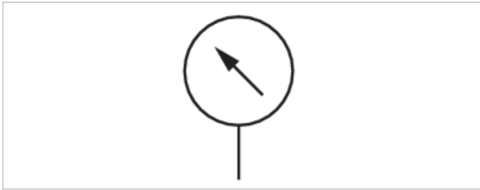
Dimensions in mm

Part No.	Compressed air connection	Nominal diameter	$\varnothing A$	B	C	D	F
1827231052	M5	26 mm	26	11.5	5	20	12
3530200160	R 1/8	40 mm	40	19	10	26	14
8901701290	G 1/8	26 mm	26	15.5	8	16.2	12
8901701270	G 1/8	26 mm	26	15.5	8	16.2	12
3530200130	R 1/8	40 mm	40	19	10	26	14
3530200120	R 1/8	40 mm	40	19	10	26	14
3530200110	R 1/8	40 mm	40	19	10	26	14
3530200100	R 1/8	40 mm	40	19	10	26	14

Part No.	Compressed air connection	Nominal diameter	Ø A	B	C	D	F
3530200150	R 1/8	40 mm	40	19	10	26	14
3530200140	R 1/8	40 mm	40	19	10	26	14
3530190150	R 1/8	50 mm	50	19	10	27	14
3530190120	R 1/8	50 mm	50	19	10	27	14
3530190130	R 1/8	50 mm	50	19	10	27	14
3530190110	R 1/8	50 mm	50	19	10	27	14
3530190100	R 1/8	50 mm	50	19	10	27	14
3530190140	R 1/8	50 mm	50	19	10	27	14
8901702070	G 1/4	50 mm	50	18	13	26.5	14
8901702090	G 1/4	63 mm	63	21	13	26.5	14

Pressure gauge, Series PG1-SFB

- Back port
- Background color White
- Scale color Black, Grey
- Units bar
- Units psi



Type	Bourdon tube pressure gauge
Standardization	EN 837-1
Class	2,5
Protection class according to EN 60529	IP54
Ambient temperature min./max.	-25 ... 60 °C
Medium	Compressed air
Main scale unit (outside)	bar
Main scale color (outside)	Black
Secondary scale unit (inside)	psi
Secondary scale color (inside)	Grey
Background color	White
Pointer color	Black
Weight	0.091 kg

Technical data

Part No.	Compressed air connection	Nominal diameter	Range of application	Display range	Operating pressure	Scale value	
R412010678	R 1/8	50 mm	0 ... 10	0 ... 12	0 ... 12 bar	0.2	1)
R412010679	R 1/8	50 mm	0 ... 10	0 ... 12	0 ... 12 bar	0.2	2)

1) Polycarbonate viewing window

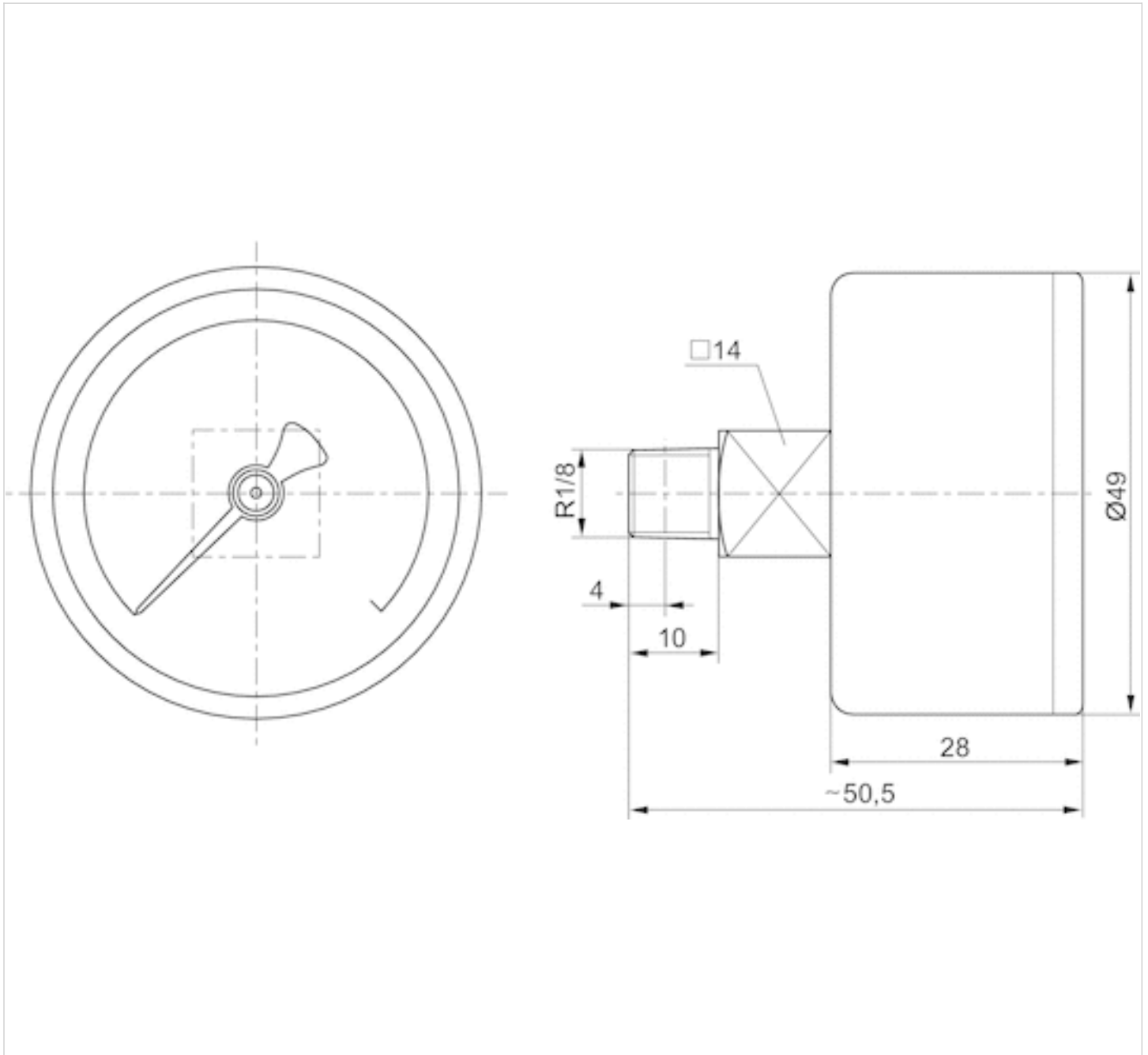
2) Safety glass viewing window

Technical information

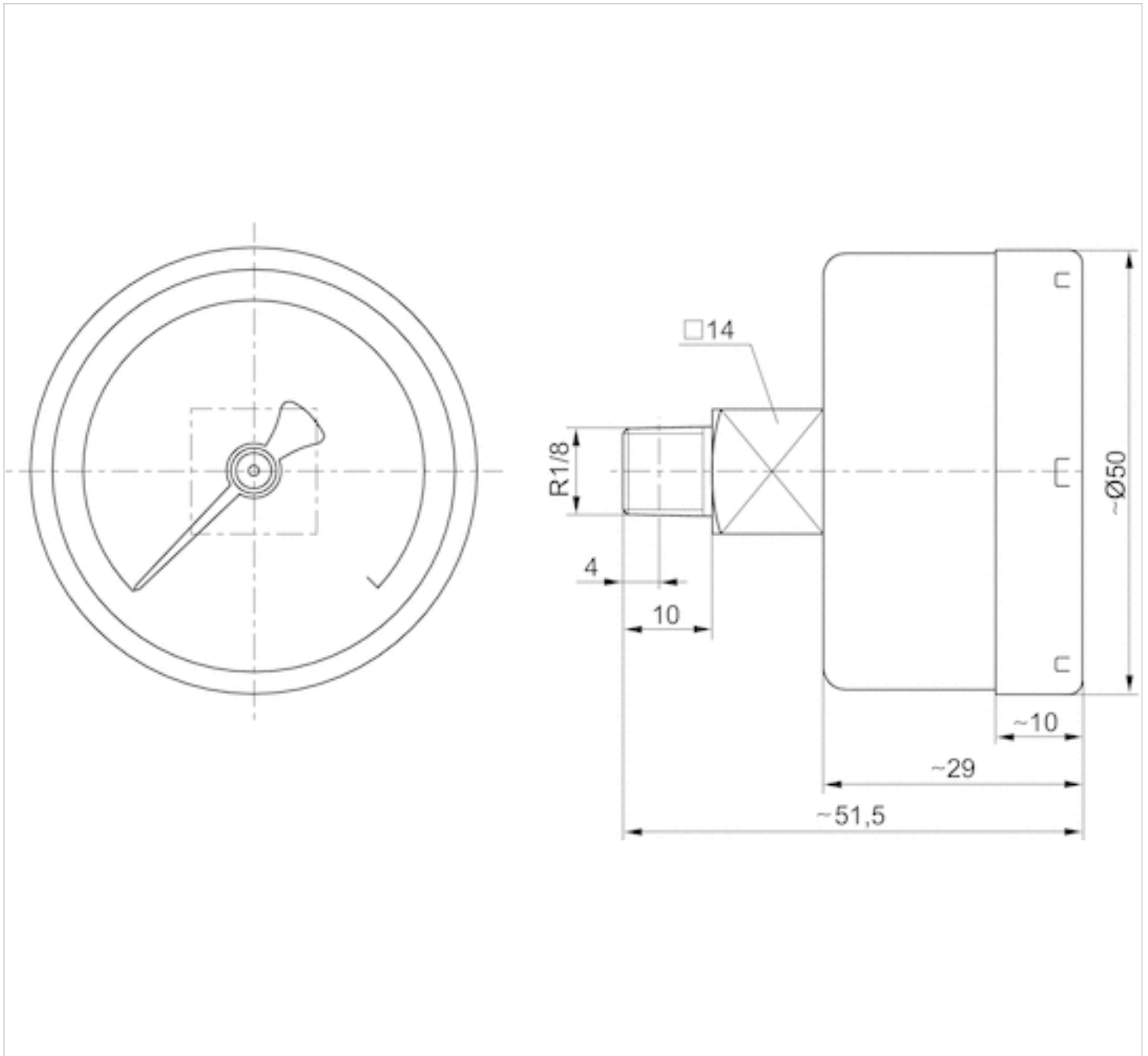
Material	
Housing	Stainless steel
Thread	Stainless steel
pointer	Stainless steel

Dimensions

Dimensions, Fig. 1, Polycarbonate viewing window



Dimensions, Fig. 2, Safety glass viewing window

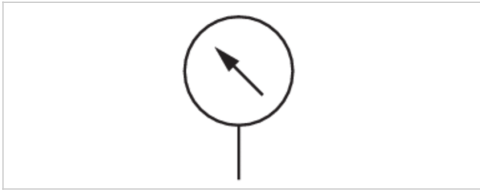


Pressure gauge, Series PG1-SFB

- Back port
- Background color White
- Scale color Black
- Viewing window Safety glass
- Units psi



Type	Bourdon tube pressure gauge
Class	2
Ambient temperature min./max.	-40 ... 120 °C
Medium	Compressed air
Main scale unit (outside)	psi
Main scale color (outside)	Black
Background color	White
Pointer color	Black
Weight	0.08 kg



Technical data

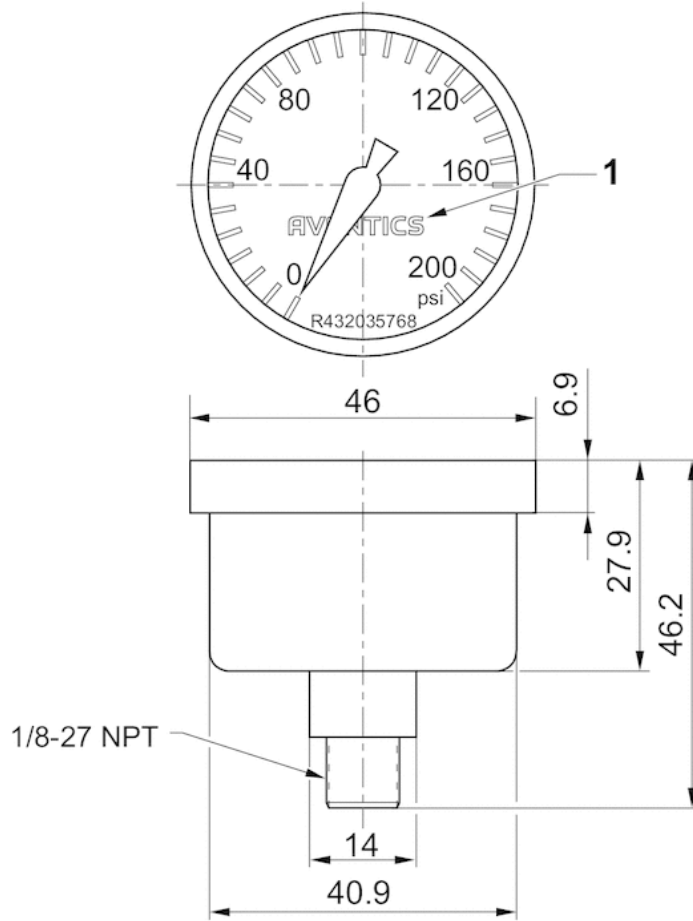
Part No.	Compressed air connection	Nominal diameter	Range of application	Display range	Operating pressure	Scale value
R432035768	1/8 NPT	40 mm	0 ... 130 psi	0 ... 200 psi	0 ... 13.79 bar	5

Technical information

Material	
Housing	Stainless steel
Thread	Stainless steel
Viewing window	Safety glass
pointer	Stainless steel

Dimensions

Dimensions

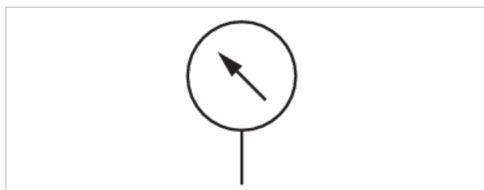


Pressure gauge, Series PG1-INT

- flange version
- Background color White
- Scale color Black
- Viewing window Polycarbonate
- Units bar



Type	Diaphragm pressure gauge
Ambient temperature min./max.	0 ... 60 °C
Medium	Compressed air
Main scale unit (outside)	bar
Main scale color (outside)	Black
Background color	White
Pointer color	Black
Weight	0.024 kg



Technical data

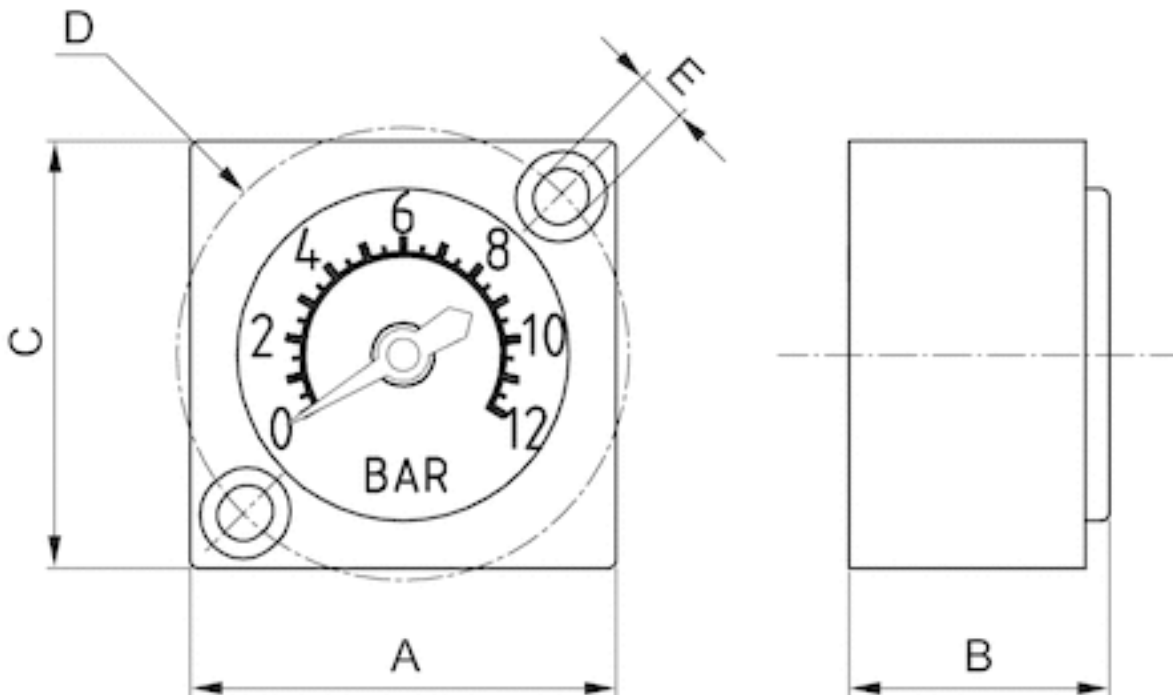
Part No.	Range of application	Display range	Operating pressure	Scale value
R412014760	0 bar ... 6	0 bar ... 6	0 ... 6 bar	0.25
R412014761	0 bar ... 12 bar	0 bar ... 12 bar	0 ... 12 bar	0.25

Technical information

Material	
Housing	Polyamide
Viewing window	Polycarbonate
Seal	Nitrile butadiene rubber

Dimensions

Dimensions



Dimensions in mm

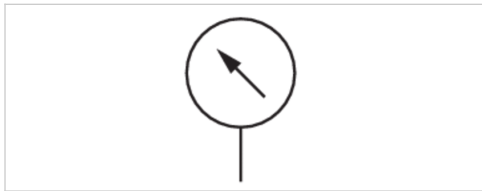
Part No.	A	B	C	D	E
R412014760	27	16.5	27	28.3	3.3
R412014761	27	16.5	27	28.3	3.3

Pressure gauge, Series PG1-LIG

- with light
- Back port
- tropicalized, corrosion-protected
- Background color White
- Scale color Black, Black
- Viewing window glass
- Units bar
- Units psi



Type	Bourdon tube pressure gauge
Mounting	with U-clip
Class	1
Ambient temperature min./max.	25 ... 60 °C
Medium	Compressed air
Main scale unit (outside)	bar
Main scale color (outside)	Black
Secondary scale unit (inside)	psi
Secondary scale color (inside)	Black
Background color	White
Pointer color	Black Red



Technical data

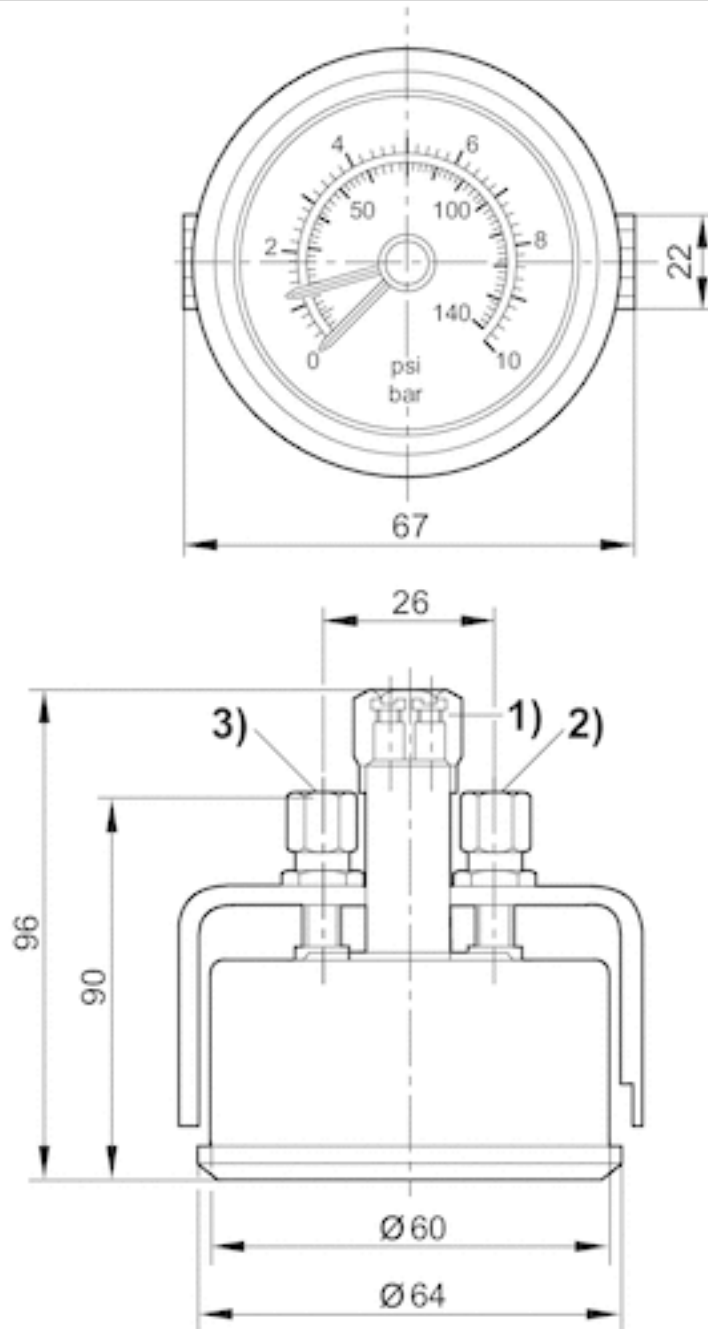
Part No.	Compressed air connection	Nominal diameter	Range of application	Display range	Operating pressure	Scale value
3530040020	Ø 6x1	60 mm	0 ... 8	0 ... 10	0 ... 10 bar	0.5

Technical information

Material	
Housing	Steel, chrome-plated
Thread	Brass
Front ring	Steel, chrome-plated
Viewing window	glass

Dimensions

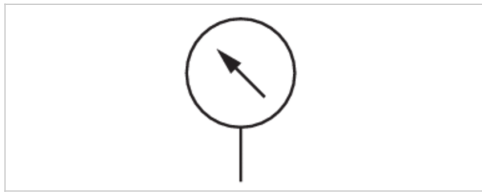
Dimensions



- 1) 2-pin lamp terminal 24 V/1.2 W
- 2) pipe connection for red pointer (bottom)
- 3) pipe connection for black pointer (top)

Pressure gauge, Series PG1-GLY

- Back port
- with glycerin filling
- Background color White
- Scale color Black, Black
- Viewing window Polystyrene
- Units bar
- Units psi



Type	Bourdon tube pressure gauge
Version	with glycerin filling
Seal	Axial
Standardization	EN 837-1
Class	1,6
Ambient temperature min./max.	-25 ... 60 °C
Medium	Compressed air
Main scale unit (outside)	bar
Main scale color (outside)	Black
Secondary scale unit (inside)	psi
Secondary scale color (inside)	Black
Background color	White
Pointer color	Black
Weight	0.26 kg

Technical data

Part No.	Compressed air connection	Nominal diameter	Range of application	Display range	Operating pressure	Scale value	
R412010126	R 1/8	63 mm	0 ... 3	0 ... 4	0 ... 4 bar	0.2	-
R412010127	R 1/8	63 mm	0 ... 4	0 ... 6	0 ... 6 bar	0.2	-
R412010128	R 1/8	63 mm	0 ... 8	0 ... 10	0 ... 10 bar	0.5	-
R412010129	R 1/8	63 mm	0 ... 12	0 ... 16	0 ... 16 bar	0.5	-
R412010130	R 1/8	63 mm	0 ... 12	0 ... 16	0 ... 16 bar	0.5	1)
R412010131	G 1/4	63 mm	0 ... 3	0 ... 4	0 ... 4 bar	0.2	-
R412010132	G 1/4	63 mm	0 ... 4	0 ... 6	0 ... 6 bar	0.2	-
R412010133	G 1/4	63 mm	0 ... 8	0 ... 10	0 ... 10 bar	0.5	-
R412010134	G 1/4	63 mm	0 ... 12	0 ... 16	0 ... 16 bar	0.5	-

Order retainer ring 3530132602 for control panel installation separately.

1) Red marking at 5 bar

Technical information

Order axial seal separately

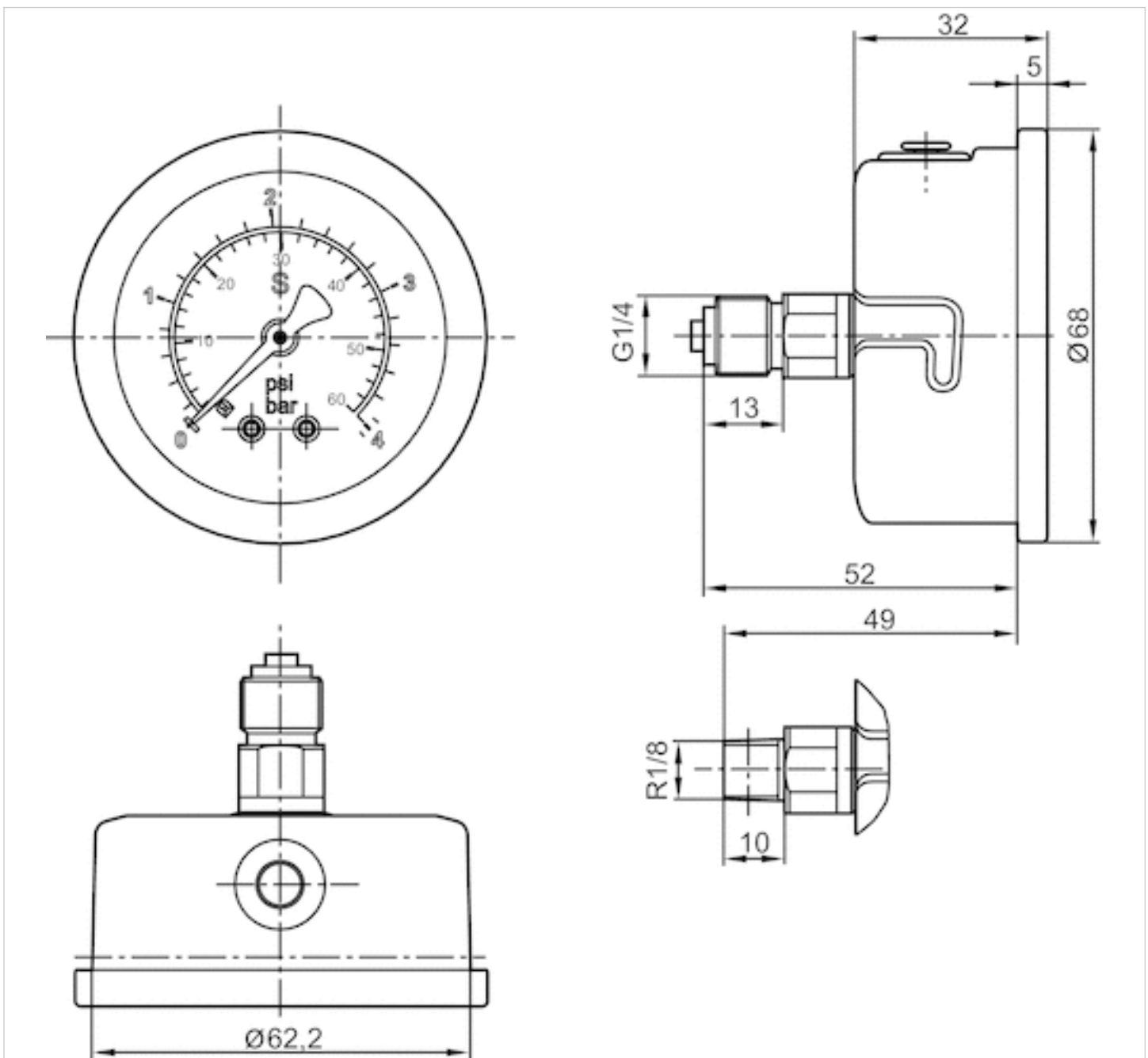
Technical information

Material

Housing	Stainless steel
Thread	Brass
Viewing window	Polystyrene

Dimensions

Dimensions in mm



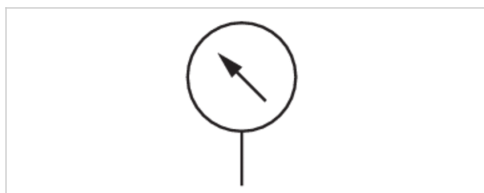
Order retainer ring 3530132602 for control panel installation separately.

Pressure gauge, Series PG1-ROB

- Back port
- Background color Black
- Scale color White
- Viewing window Polystyrene
- Units MPa



Type	Bourdon tube pressure gauge
Medium	Compressed air Compressed air
Main scale unit (outside)	MPa
Main scale color (outside)	White
Background color	Black
Pointer color	Red
Weight	0.01 kg



Technical data

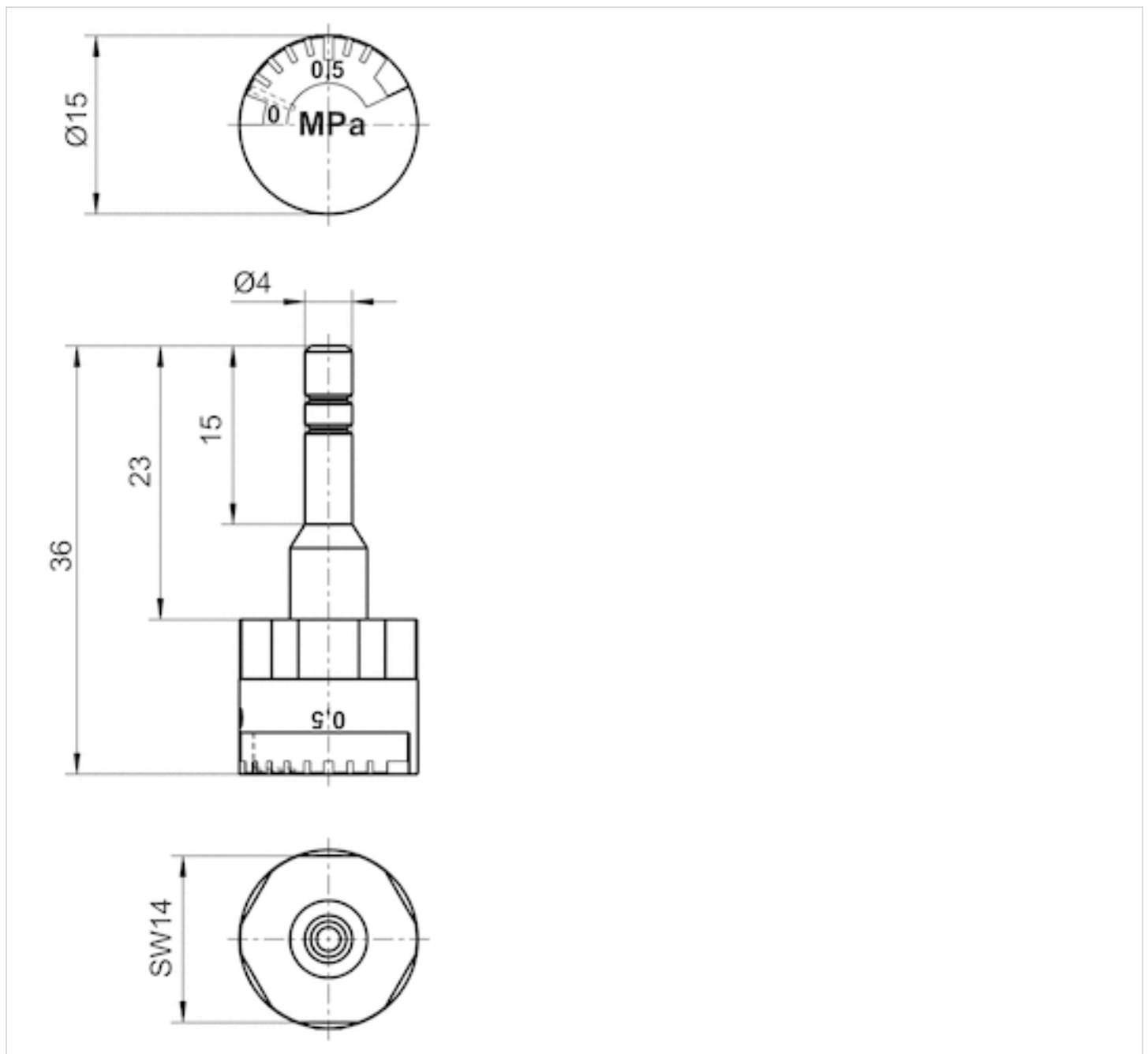
Part No.	Compressed air connection	Nominal diameter	Range of application	Display range
R412009413	Ø 4	15 mm	0 ... 10 bar	0 ... 10 bar

Technical information

Material	
Housing	Acrylonitrile butadiene styrene
Thread	Brass
Viewing window	Polystyrene
Seal	Polytetrafluorethylene

Dimensions

Dimensions in mm



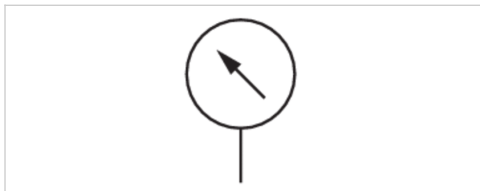
Pressure gauge

- Back port
- Background color White
- Scale color Black, Red
- Units bar
- Units psi



Ambient temperature min./max.	-15 ... 80 °C
Medium	Compressed air
Max. particle size	50 µm
Main scale unit (outside)	bar
Main scale color (outside)	Black
Secondary scale unit (inside)	psi
Secondary scale color (inside)	Red
Background color	White
Pointer color	Black
Weight	See table below

The delivered product may vary from that in the illustration.



Technical data

Part No.	Compressed air connection	Nominal diameter	Range of application	Display range	Operating pressure	Scale value
R412003960	Ø 6	28 mm	0 ... 4	0 bar ... 4	0 ... 4 bar	-
3530200300	Ø 6	28 mm	0 ... 10	0 bar ... 10 bar	0 ... 10 bar	-
R412004883	Ø 6	28 mm	0 ... 10	0 bar ... 10 bar	0 ... 10 bar	1

Part No.	Weight
R412003960	0.016 kg
3530200300	0.016 kg
R412004883	0.02 kg

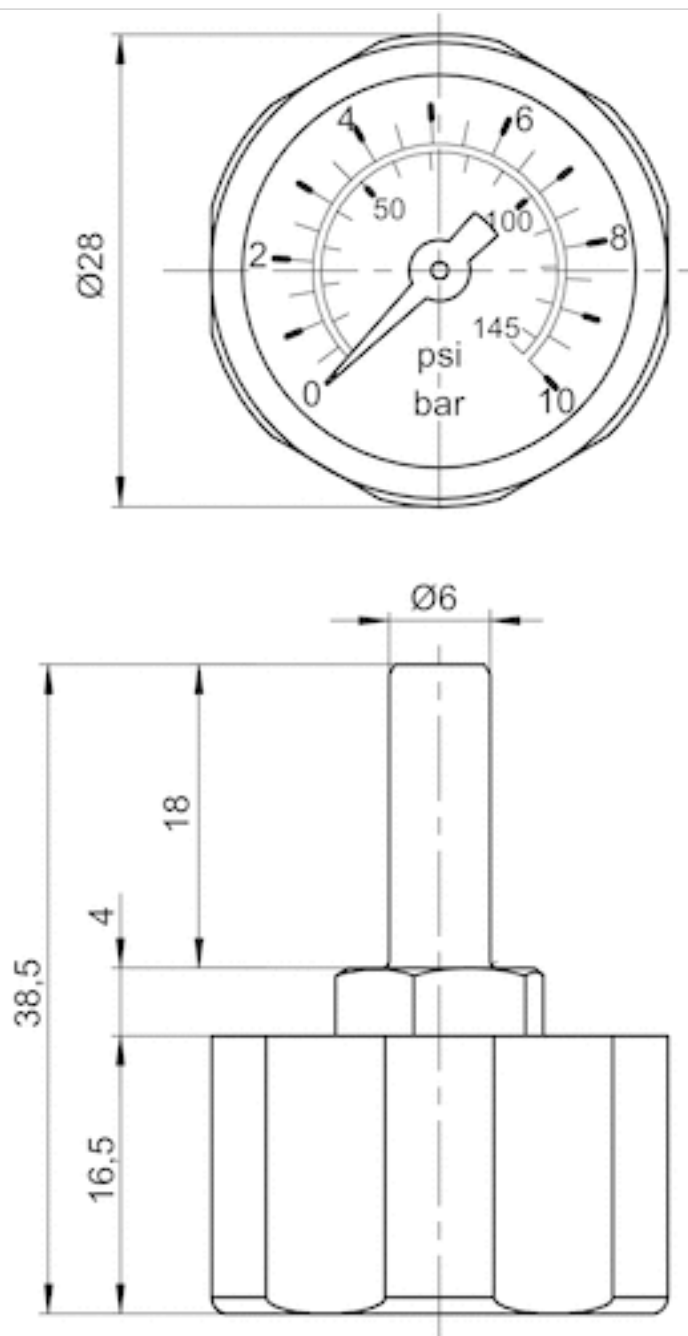
Included in the delivery contents: Straight push-in fitting, increasing (1823391628)

Technical information

Material	
Housing	Polyamide

Dimensions

Dimensions in mm

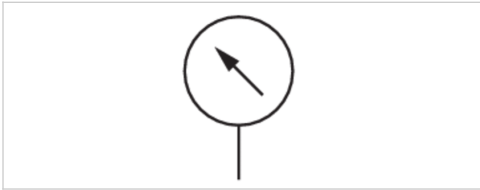


Pressure gauge, Series PG1-ROU

- Port on bottom
- Background color Black
- Scale color White, Red
- Viewing window Polystyrene
- Units bar
- Units psi



Type	Bourdon tube pressure gauge
Standardization	EN 837-1
Class	1,6
Ambient temperature min./max.	-40 ... 60 °C
Medium	Compressed air
Main scale unit (outside)	bar
Main scale color (outside)	White
Secondary scale unit (inside)	psi
Secondary scale color (inside)	Red
Background color	Black
Pointer color	White



Technical data

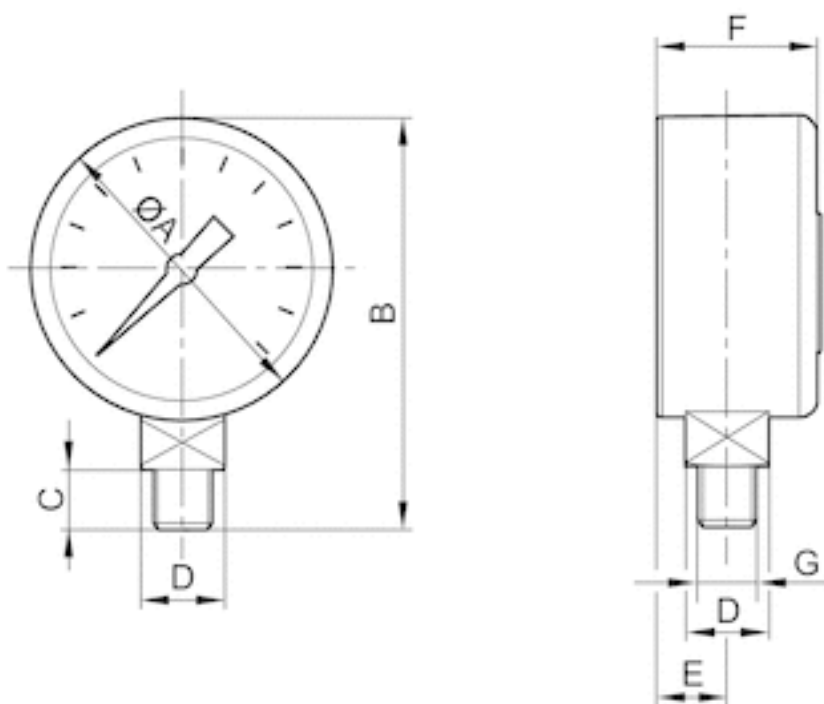
Part No.	Compressed air connection	Nominal diameter	Range of application	Display range	Operating pressure	Scale value
8901703200	R 1/8	50 mm	0 ... 10	0 bar ... 12	0 ... 12 bar	0.2

Technical information

Material	
Housing	Acrylonitrile butadiene styrene
Thread	Brass
Viewing window	Polystyrene

Dimensions

Dimensions



Dimensions in mm

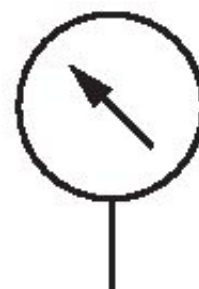
Compressed air connection	Nominal diameter	$\varnothing A$	B	C	D	F	E
R 1/8	50 mm	50	66.5	10	SW14	27,5	10

Pressure gauge, Series PG1-PAN-ADJ

R414010390

General series information
Series PG1 Pressure gauges

■ PG1PG1With the AVENTICS Series PG1 you can visualize and rely on a clear air pressure display for each of your pneumatic circuits. In addition to the parameters for controlling the air quality, supplying sufficient pressure is the basis for operating a reliable system within machine automation. Emerson offers mechanical pressure gauges that can be integrated into machines for diverse applications and air preparation systems. The specifications of the individual versions in the universal PG1 Series provide a selection of options, such as appearance, material, or the required type of mounting.



Technical data

Industry	Industrial
Pressure gauge version	Bourdon tube pressure gauge Back port with adjustable work area display
Standardization	EN 837-1
Class	1,6
Compressed air connection	G 1/4
Nominal diameter	50 mm
Scale value	0.1
Range of application min.	0 bar
Range of application max.	2 bar
Display range min.	0 bar

Display range max.	2.5 bar
Working pressure min.	0 bar
Working pressure max	10 bar
Min. ambient temperature	-40 °C
Max. ambient temperature	60 °C
Medium	Compressed air
Background color	Black
Main scale unit (outside)	bar
Main scale color (outside)	Green
Secondary scale unit (inside)	psi
Secondary scale color (inside)	White
Work Area Display, Color	Red Green
Pointer color	White
Weight	0.09 kg

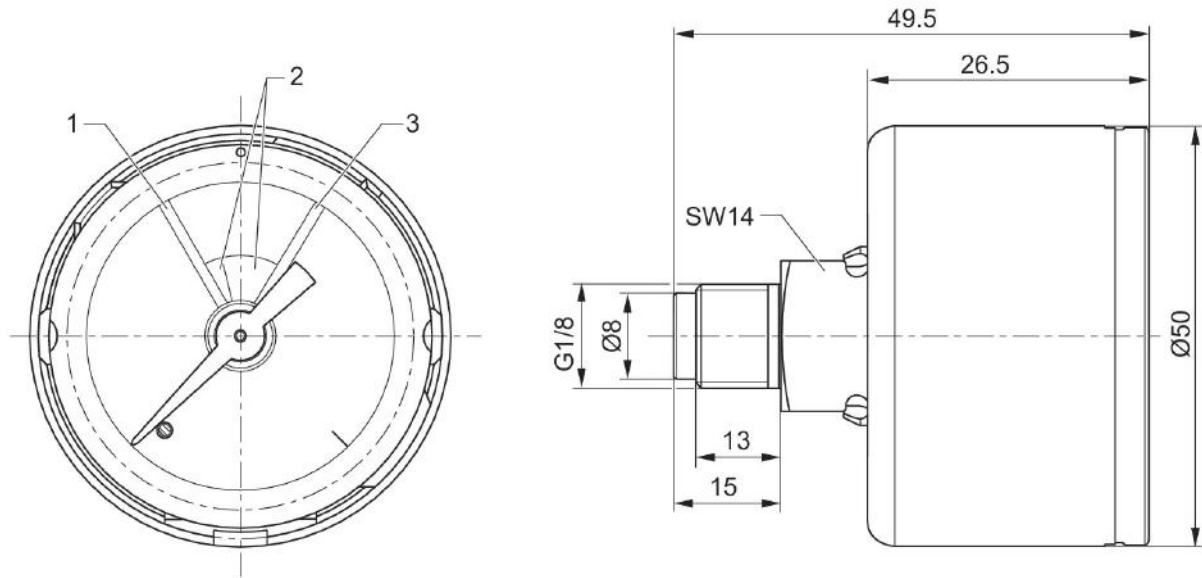
Material

Housing material	Acrylonitrile butadiene styrene
Material viewing window	Polystyrene
Material thread	Brass
	R414010390

Technical information

To set the operating range, the cover (inspection glass) must be removed. To do this, carefully lift the inspection glass by inserting a pointed or flat object in the slot provided for this purpose on the housing circumference.

Dimensions



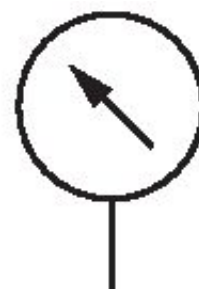
1 = red 2 = green 3 = red

Pressure gauge, Series PG1-PAN-ADJ

R414010393

General series information
Series PG1 Pressure gauges

■ PG1PG1With the AVENTICS Series PG1 you can visualize and rely on a clear air pressure display for each of your pneumatic circuits. In addition to the parameters for controlling the air quality, supplying sufficient pressure is the basis for operating a reliable system within machine automation. Emerson offers mechanical pressure gauges that can be integrated into machines for diverse applications and air preparation systems. The specifications of the individual versions in the universal PG1 Series provide a selection of options, such as appearance, material, or the required type of mounting.



Technical data

Industry	Industrial
Pressure gauge version	Bourdon tube pressure gauge Back port with adjustable work area display
Standardization	EN 837-1
Class	1,6
Compressed air connection	G 1/4
Nominal diameter	50 mm
Scale value	0.5
Range of application min.	0 bar
Range of application max.	12 bar
Display range min.	0 bar

Display range max.	16 bar
Working pressure min.	0 bar
Working pressure max	10 bar
Min. ambient temperature	-40 °C
Max. ambient temperature	60 °C
Medium	Compressed air
Background color	Black
Main scale unit (outside)	bar
Main scale color (outside)	Green
Secondary scale unit (inside)	psi
Secondary scale color (inside)	White
Work Area Display, Color	Red Green
Pointer color	White
Weight	0.09 kg

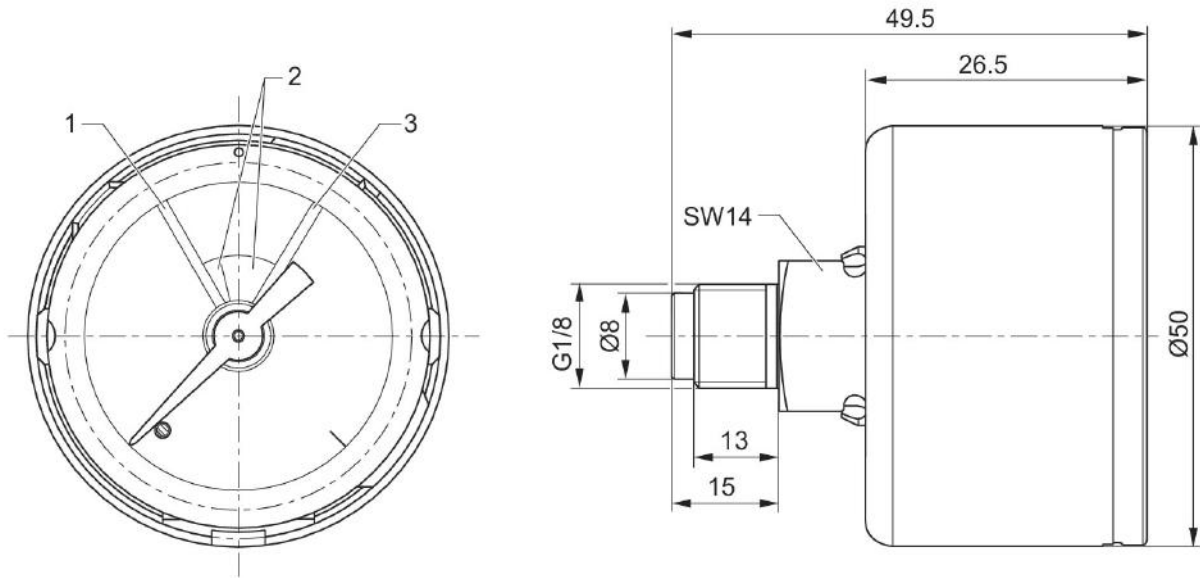
Material

Housing material	Acrylonitrile butadiene styrene
Material viewing window	Polystyrene
Material thread	Brass
	R414010393

Technical information

To set the operating range, the cover (inspection glass) must be removed. To do this, carefully lift the inspection glass by inserting a pointed or flat object in the slot provided for this purpose on the housing circumference.

Dimensions



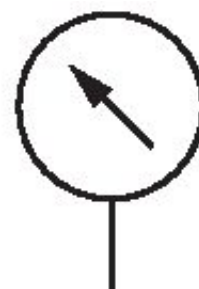
1 = red 2 = green 3 = red

Pressure gauge, Series PG1-PAN-ADJ

R414010388

General series information
Series PG1 Pressure gauges

■ PG1PG1With the AVENTICS Series PG1 you can visualize and rely on a clear air pressure display for each of your pneumatic circuits. In addition to the parameters for controlling the air quality, supplying sufficient pressure is the basis for operating a reliable system within machine automation. Emerson offers mechanical pressure gauges that can be integrated into machines for diverse applications and air preparation systems. The specifications of the individual versions in the universal PG1 Series provide a selection of options, such as appearance, material, or the required type of mounting.



Technical data

Industry	Industrial
Pressure gauge version	Bourdon tube pressure gauge Back port with adjustable work area display
Standardization	EN 837-1
Class	1,6
Compressed air connection	G 1/8
Nominal diameter	40 mm
Scale value	0.5
Range of application min.	0 bar
Range of application max.	8 bar
Display range min.	0 bar

Display range max.	10 bar
Working pressure min.	0 bar
Working pressure max	10 bar
Min. ambient temperature	-40 °C
Max. ambient temperature	60 °C
Medium	Compressed air
Background color	Black
Main scale unit (outside)	bar
Main scale color (outside)	Green
Secondary scale unit (inside)	psi
Secondary scale color (inside)	White
Work Area Display, Color	Red Green
Pointer color	White
Weight	0.09 kg

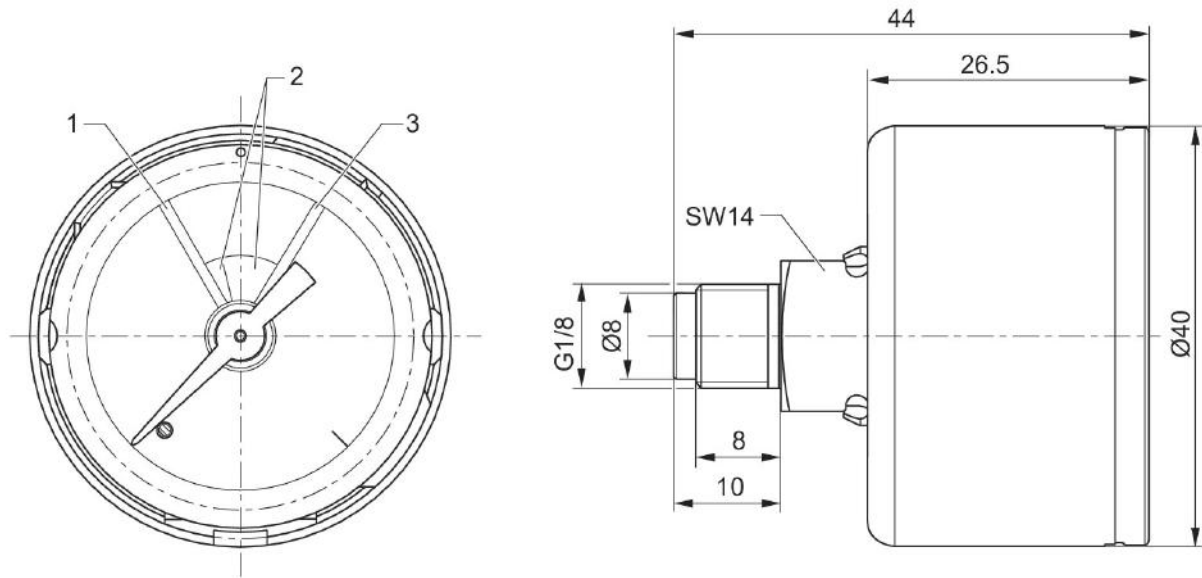
Material

Housing material	Acrylonitrile butadiene styrene
Material viewing window	Polystyrene
Material thread	Brass
	R414010388

Technical information

To set the operating range, the cover (inspection glass) must be removed. To do this, carefully lift the inspection glass by inserting a pointed or flat object in the slot provided for this purpose on the housing circumference.

Dimensions



1 = red 2 = green 3 = red

Pressure gauge, Series PG1-PAN-ADJ

R414010389

General series information
Series PG1 Pressure gauges

■ PG1PG1With the AVENTICS Series PG1 you can visualize and rely on a clear air pressure display for each of your pneumatic circuits. In addition to the parameters for controlling the air quality, supplying sufficient pressure is the basis for operating a reliable system within machine automation. Emerson offers mechanical pressure gauges that can be integrated into machines for diverse applications and air preparation systems. The specifications of the individual versions in the universal PG1 Series provide a selection of options, such as appearance, material, or the required type of mounting.



Technical data

Industry	Industrial
Pressure gauge version	Bourdon tube pressure gauge Back port with adjustable work area display
Standardization	EN 837-1
Class	2,5
Compressed air connection	G 1/8
Nominal diameter	40 mm
Scale value	0.5
Range of application min.	0 bar
Range of application max.	12 bar
Display range min.	0 bar

Display range max.	16 bar
Working pressure min.	0 bar
Working pressure max	10 bar
Min. ambient temperature	-40 °C
Max. ambient temperature	60 °C
Medium	Compressed air
Background color	Black
Main scale unit (outside)	bar
Main scale color (outside)	Green
Secondary scale unit (inside)	psi
Secondary scale color (inside)	White
Work Area Display, Color	Red Green
Pointer color	White
Weight	0.09 kg

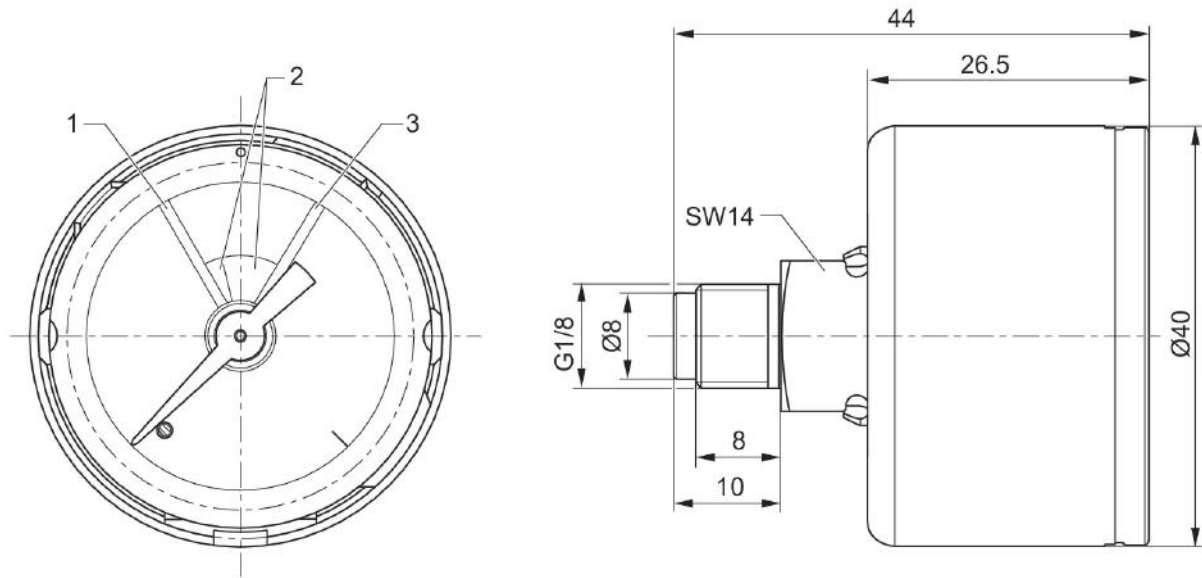
Material

Housing material	Acrylonitrile butadiene styrene
Material viewing window	Polystyrene
Material thread	Brass
	R414010389

Technical information

To set the operating range, the cover (inspection glass) must be removed. To do this, carefully lift the inspection glass by inserting a pointed or flat object in the slot provided for this purpose on the housing circumference.

Dimensions



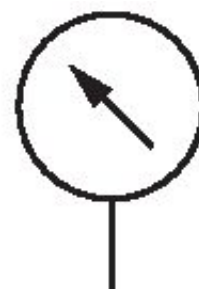
1 = red 2 = green 3 = red

Pressure gauge, Series PG1-PAN-ADJ

R414010391

General series information
Series PG1 Pressure gauges

■ PG1PG1With the AVENTICS Series PG1 you can visualize and rely on a clear air pressure display for each of your pneumatic circuits. In addition to the parameters for controlling the air quality, supplying sufficient pressure is the basis for operating a reliable system within machine automation. Emerson offers mechanical pressure gauges that can be integrated into machines for diverse applications and air preparation systems. The specifications of the individual versions in the universal PG1 Series provide a selection of options, such as appearance, material, or the required type of mounting.



Technical data

Industry	Industrial
Pressure gauge version	Bourdon tube pressure gauge Back port with adjustable work area display
Standardization	EN 837-1
Class	1,6
Compressed air connection	G 1/4
Nominal diameter	50 mm
Scale value	0.2
Range of application min.	0 bar
Range of application max.	4 bar
Display range min.	0 bar

Display range max.	6 bar
Working pressure min.	0 bar
Working pressure max	10 bar
Min. ambient temperature	-40 °C
Max. ambient temperature	60 °C
Medium	Compressed air
Background color	Black
Main scale unit (outside)	bar
Main scale color (outside)	Green
Secondary scale unit (inside)	psi
Secondary scale color (inside)	White
Work Area Display, Color	Red Green
Pointer color	White
Weight	0.09 kg

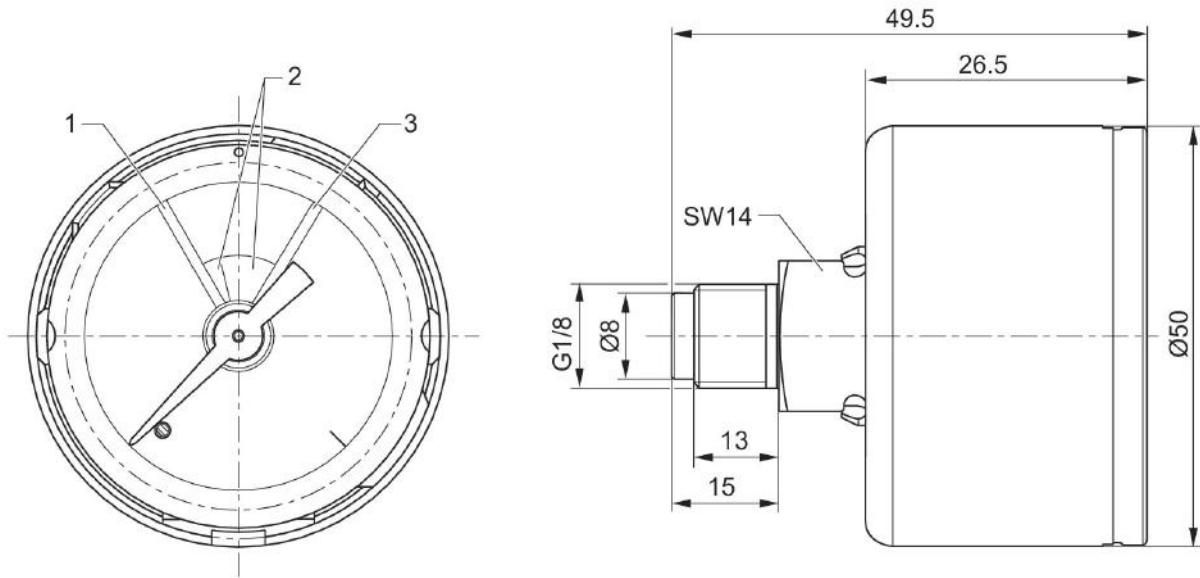
Material

Housing material	Acrylonitrile butadiene styrene
Material viewing window	Polystyrene
Material thread	Brass
	R414010391

Technical information

To set the operating range, the cover (inspection glass) must be removed. To do this, carefully lift the inspection glass by inserting a pointed or flat object in the slot provided for this purpose on the housing circumference.

Dimensions



1 = red 2 = green 3 = red

Pressure gauge, Series PG1-PAN-ADJ

R414010392

General series information
Series PG1 Pressure gauges

■ PG1PG1With the AVENTICS Series PG1 you can visualize and rely on a clear air pressure display for each of your pneumatic circuits. In addition to the parameters for controlling the air quality, supplying sufficient pressure is the basis for operating a reliable system within machine automation. Emerson offers mechanical pressure gauges that can be integrated into machines for diverse applications and air preparation systems. The specifications of the individual versions in the universal PG1 Series provide a selection of options, such as appearance, material, or the required type of mounting.



Technical data

Industry	Industrial
Pressure gauge version	Bourdon tube pressure gauge Back port with adjustable work area display
Standardization	EN 837-1
Class	1,6
Compressed air connection	G 1/4
Nominal diameter	50 mm
Scale value	0.05
Range of application min.	0 bar
Range of application max.	8 bar
Display range min.	0 bar

Display range max.	10 bar
Working pressure min.	0 bar
Working pressure max	10 bar
Min. ambient temperature	-40 °C
Max. ambient temperature	60 °C
Medium	Compressed air
Background color	Black
Main scale unit (outside)	bar
Main scale color (outside)	Green
Secondary scale unit (inside)	psi
Secondary scale color (inside)	White
Work Area Display, Color	Red Green
Pointer color	White
Weight	0.09 kg

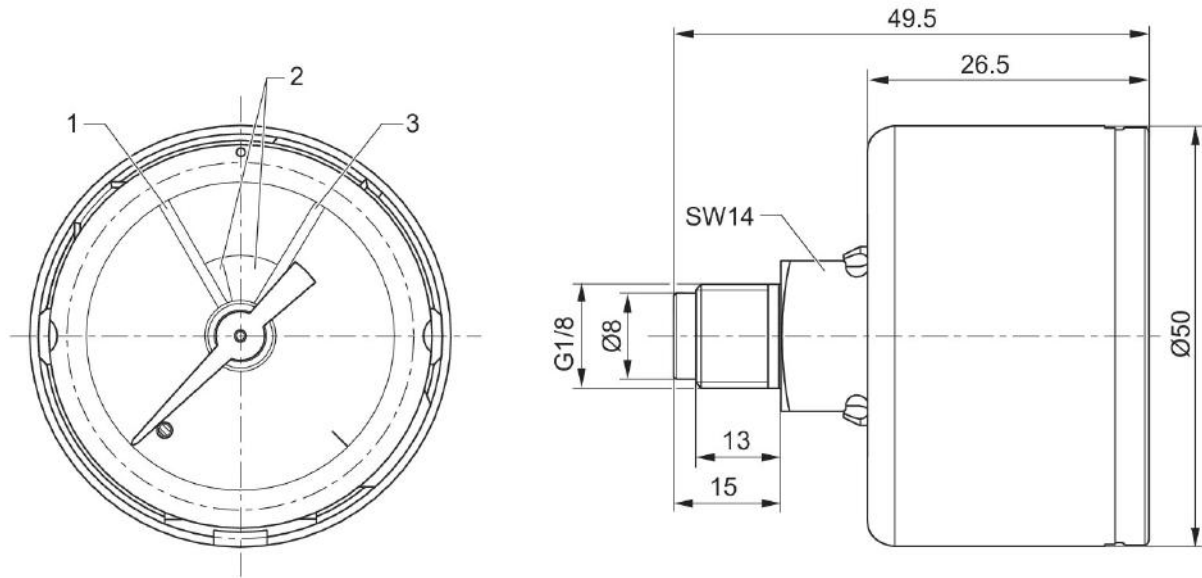
Material

Housing material	Acrylonitrile butadiene styrene
Material viewing window	Polystyrene
Material thread	Brass
	R414010392

Technical information

To set the operating range, the cover (inspection glass) must be removed. To do this, carefully lift the inspection glass by inserting a pointed or flat object in the slot provided for this purpose on the housing circumference.

Dimensions



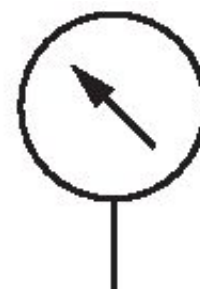
1 = red 2 = green 3 = red

Pressure gauge, Series PG1-PAN-ADJ

R414010394

General series information
Series PG1 Pressure gauges

■ PG1PG1With the AVENTICS Series PG1 you can visualize and rely on a clear air pressure display for each of your pneumatic circuits. In addition to the parameters for controlling the air quality, supplying sufficient pressure is the basis for operating a reliable system within machine automation. Emerson offers mechanical pressure gauges that can be integrated into machines for diverse applications and air preparation systems. The specifications of the individual versions in the universal PG1 Series provide a selection of options, such as appearance, material, or the required type of mounting.



Technical data

Industry	Industrial
Pressure gauge version	Bourdon tube pressure gauge Back port with adjustable work area display
Standardization	EN 837-1
Class	1,6
Compressed air connection	G 1/4
Nominal diameter	63 mm
Scale value	0.1
Range of application min.	0 bar
Range of application max.	2 bar
Display range min.	0 bar

Display range max.	2.5 bar
Working pressure min.	0 bar
Working pressure max	10 bar
Min. ambient temperature	-40 °C
Max. ambient temperature	60 °C
Medium	Compressed air
Background color	Black
Main scale unit (outside)	bar
Main scale color (outside)	Green
Secondary scale unit (inside)	psi
Secondary scale color (inside)	White
Work Area Display, Color	Red Green
Pointer color	White
Weight	0.09 kg

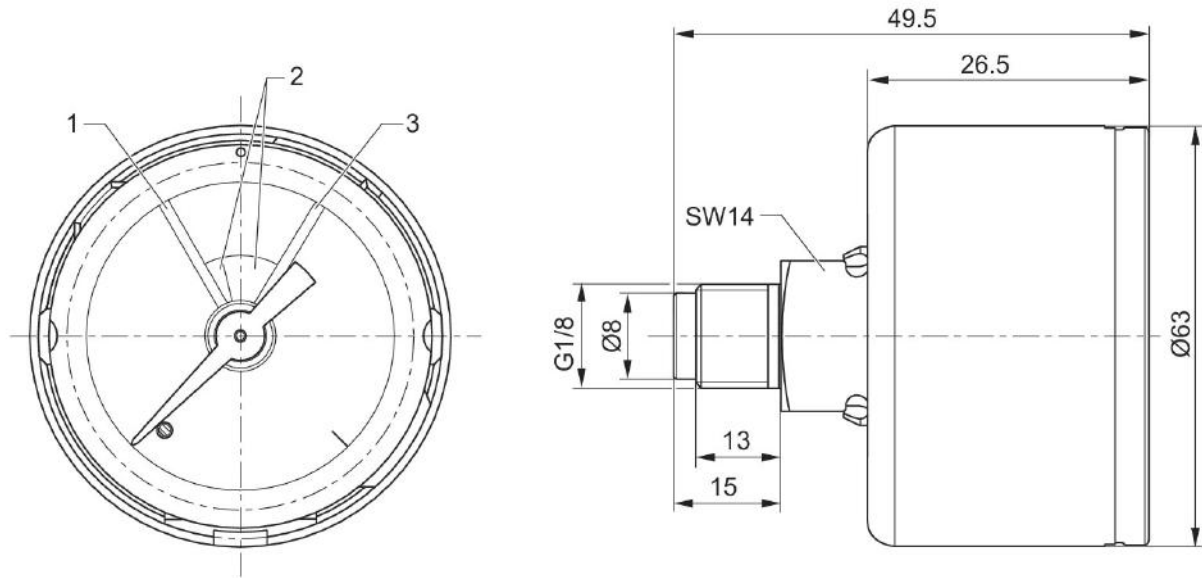
Material

Housing material	Acrylonitrile butadiene styrene
Material viewing window	Polystyrene
Material thread	Brass
	R414010394

Technical information

To set the operating range, the cover (inspection glass) must be removed. To do this, carefully lift the inspection glass by inserting a pointed or flat object in the slot provided for this purpose on the housing circumference.

Dimensions



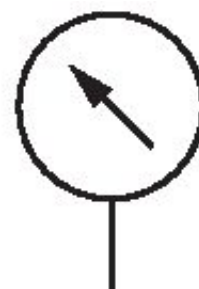
1 = red 2 = green 3 = red

Pressure gauge, Series PG1-PAN-ADJ

R414010395

General series information
Series PG1 Pressure gauges

■ PG1PG1With the AVENTICS Series PG1 you can visualize and rely on a clear air pressure display for each of your pneumatic circuits. In addition to the parameters for controlling the air quality, supplying sufficient pressure is the basis for operating a reliable system within machine automation. Emerson offers mechanical pressure gauges that can be integrated into machines for diverse applications and air preparation systems. The specifications of the individual versions in the universal PG1 Series provide a selection of options, such as appearance, material, or the required type of mounting.



Technical data

Industry	Industrial
Pressure gauge version	Bourdon tube pressure gauge Back port with adjustable work area display
Standardization	EN 837-1
Class	1,6
Compressed air connection	G 1/4
Nominal diameter	63 mm
Scale value	0.2
Range of application min.	0 bar
Range of application max.	4 bar
Display range min.	0 bar

Display range max.	6 bar
Working pressure min.	0 bar
Working pressure max	10 bar
Min. ambient temperature	-40 °C
Max. ambient temperature	60 °C
Medium	Compressed air
Background color	Black
Main scale unit (outside)	bar
Main scale color (outside)	Green
Secondary scale unit (inside)	psi
Secondary scale color (inside)	White
Work Area Display, Color	Red Green
Pointer color	White
Weight	0.09 kg

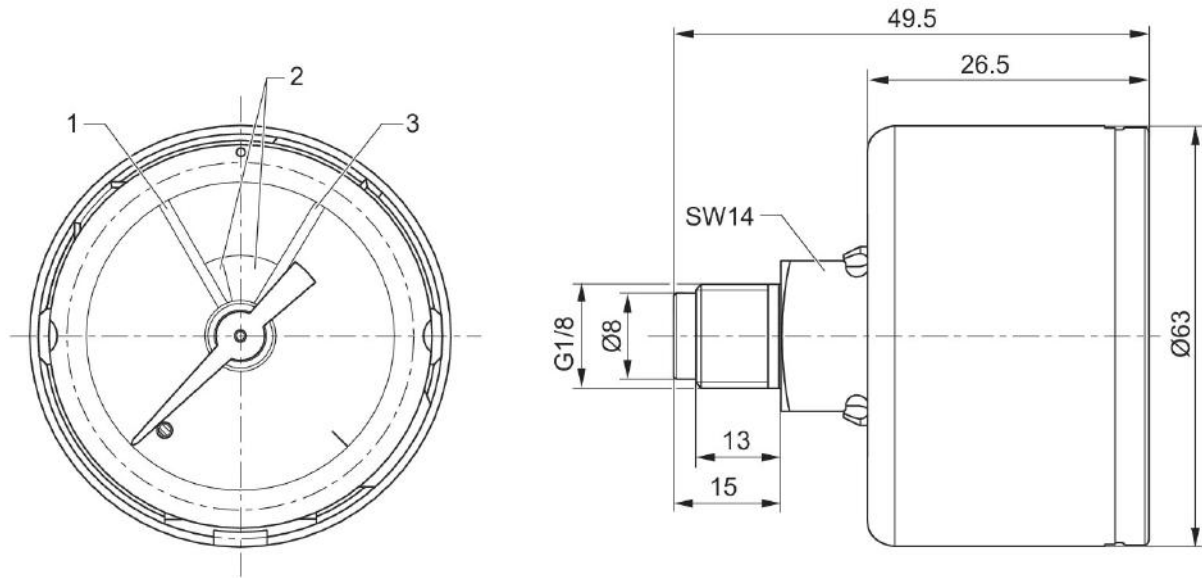
Material

Housing material	Acrylonitrile butadiene styrene
Material viewing window	Polystyrene
Material thread	Brass
	R414010395

Technical information

To set the operating range, the cover (inspection glass) must be removed. To do this, carefully lift the inspection glass by inserting a pointed or flat object in the slot provided for this purpose on the housing circumference.

Dimensions



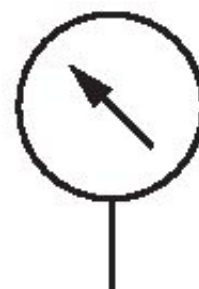
1 = red 2 = green 3 = red

Pressure gauge, Series PG1-PAN-ADJ

R414010396

General series information
Series PG1 Pressure gauges

■ PG1PG1With the AVENTICS Series PG1 you can visualize and rely on a clear air pressure display for each of your pneumatic circuits. In addition to the parameters for controlling the air quality, supplying sufficient pressure is the basis for operating a reliable system within machine automation. Emerson offers mechanical pressure gauges that can be integrated into machines for diverse applications and air preparation systems. The specifications of the individual versions in the universal PG1 Series provide a selection of options, such as appearance, material, or the required type of mounting.



Technical data

Industry	Industrial
Pressure gauge version	Bourdon tube pressure gauge Back port with adjustable work area display
Standardization	EN 837-1
Class	1,6
Compressed air connection	G 1/4
Nominal diameter	63 mm
Scale value	0.5
Range of application min.	0 bar
Range of application max.	8 bar
Display range min.	0 bar

Display range max.	10 bar
Working pressure min.	0 bar
Working pressure max	10 bar
Min. ambient temperature	-40 °C
Max. ambient temperature	60 °C
Medium	Compressed air
Background color	Black
Main scale unit (outside)	bar
Main scale color (outside)	Green
Secondary scale unit (inside)	psi
Secondary scale color (inside)	White
Work Area Display, Color	Red Green
Pointer color	White
Weight	0.09 kg

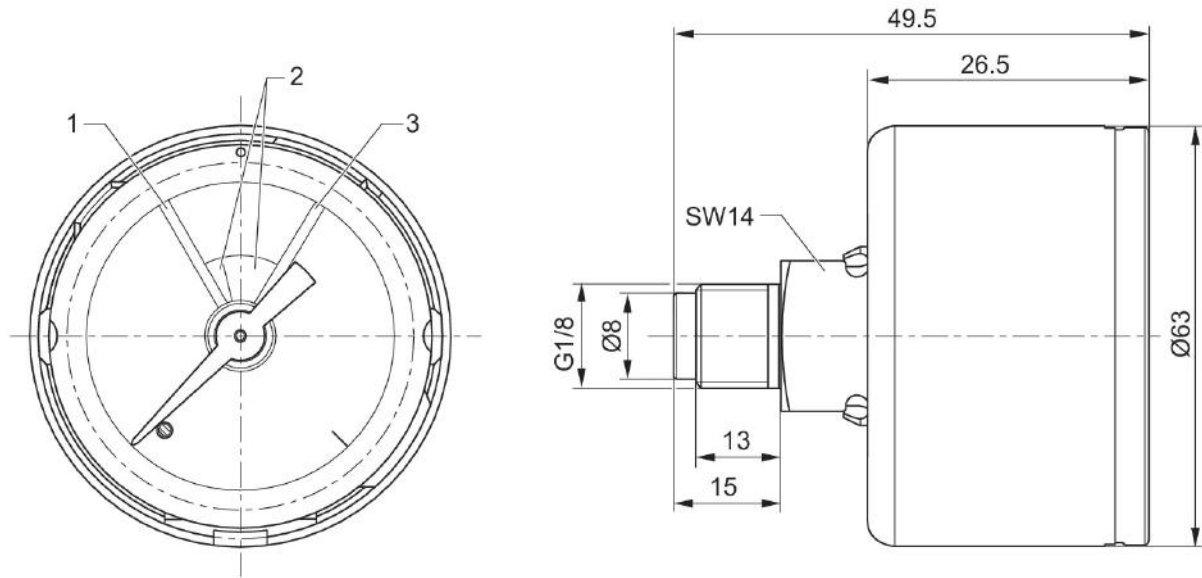
Material

Housing material	Acrylonitrile butadiene styrene
Material viewing window	Polystyrene
Material thread	Brass
	R414010396

Technical information

To set the operating range, the cover (inspection glass) must be removed. To do this, carefully lift the inspection glass by inserting a pointed or flat object in the slot provided for this purpose on the housing circumference.

Dimensions



1 = red 2 = green 3 = red

Pressure gauge, Series PG1-PAN-ADJ

R414010397

General series information
Series PG1 Pressure gauges

■ PG1PG1With the AVENTICS Series PG1 you can visualize and rely on a clear air pressure display for each of your pneumatic circuits. In addition to the parameters for controlling the air quality, supplying sufficient pressure is the basis for operating a reliable system within machine automation. Emerson offers mechanical pressure gauges that can be integrated into machines for diverse applications and air preparation systems. The specifications of the individual versions in the universal PG1 Series provide a selection of options, such as appearance, material, or the required type of mounting.



Technical data

Industry	Industrial
Pressure gauge version	Bourdon tube pressure gauge Back port with adjustable work area display
Standardization	EN 837-1
Class	1,6
Compressed air connection	G 1/4
Nominal diameter	63 mm
Scale value	0.5
Range of application min.	0 bar
Range of application max.	12 bar
Display range min.	0 bar

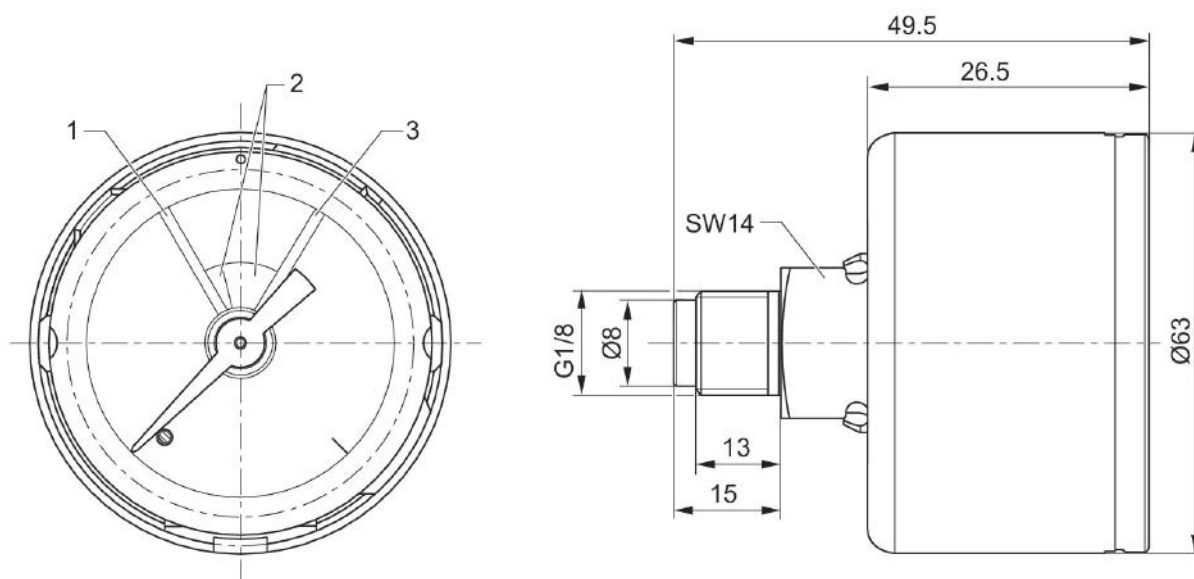
Display range max.	16 bar
Working pressure min.	0 bar
Working pressure max	10 bar
Min. ambient temperature	-40 °C
Max. ambient temperature	60 °C
Medium	Compressed air
Background color	Black
Main scale unit (outside)	bar
Main scale color (outside)	Green
Secondary scale unit (inside)	psi
Secondary scale color (inside)	White
Work Area Display, Color	Red Green
Pointer color	White
Weight	0.09 kg

Material

Housing material	Acrylonitrile butadiene styrene
Material viewing window	Polystyrene
Material thread	Brass
	R414010397

Technical information

To set the operating range, the cover (inspection glass) must be removed. To do this, carefully lift the inspection glass by inserting a pointed or flat object in the slot provided for this purpose on the housing circumference.

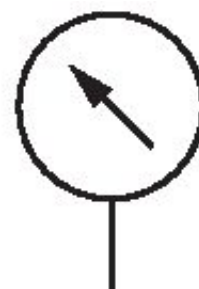


Pressure gauge, Series PG1-PAN-ADJ

R414010398

General series information
Series PG1 Pressure gauges

■ PG1PG1With the AVENTICS Series PG1 you can visualize and rely on a clear air pressure display for each of your pneumatic circuits. In addition to the parameters for controlling the air quality, supplying sufficient pressure is the basis for operating a reliable system within machine automation. Emerson offers mechanical pressure gauges that can be integrated into machines for diverse applications and air preparation systems. The specifications of the individual versions in the universal PG1 Series provide a selection of options, such as appearance, material, or the required type of mounting.



Technical data

Industry	Industrial
Pressure gauge version	Bourdon tube pressure gauge Back port with adjustable work area display
Standardization	EN 837-1
Class	1,6
Compressed air connection	G 1/8
Nominal diameter	40 mm
Scale value	0.1
Range of application min.	-0.8 bar
Range of application max.	0 bar
Display range min.	0 bar

Display range max.	1 bar
Working pressure min.	0 bar
Working pressure max	10 bar
Min. ambient temperature	-40 °C
Max. ambient temperature	60 °C
Medium	Compressed air
Background color	Black
Main scale unit (outside)	bar
Main scale color (outside)	Green
Secondary scale unit (inside)	psi
Secondary scale color (inside)	White
Work Area Display, Color	Red Green
Pointer color	White
Weight	0.09 kg

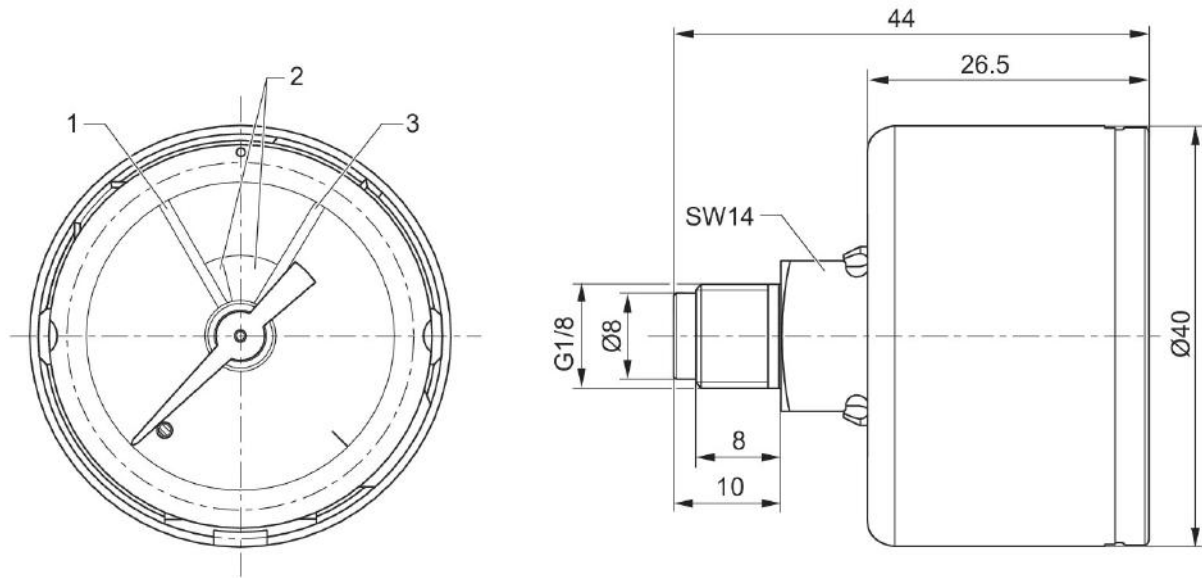
Material

Housing material	Acrylonitrile butadiene styrene
Material viewing window	Polystyrene
Material thread	Brass
	R414010398

Technical information

To set the operating range, the cover (inspection glass) must be removed. To do this, carefully lift the inspection glass by inserting a pointed or flat object in the slot provided for this purpose on the housing circumference.

Dimensions



1 = red 2 = green 3 = red

Pressure gauge, Series PG1-PAN-ADJ

R414010399

General series information
Series PG1 Pressure gauges

■ PG1PG1With the AVENTICS Series PG1 you can visualize and rely on a clear air pressure display for each of your pneumatic circuits. In addition to the parameters for controlling the air quality, supplying sufficient pressure is the basis for operating a reliable system within machine automation. Emerson offers mechanical pressure gauges that can be integrated into machines for diverse applications and air preparation systems. The specifications of the individual versions in the universal PG1 Series provide a selection of options, such as appearance, material, or the required type of mounting.



Technical data

Industry	Industrial
Pressure gauge version	Bourdon tube pressure gauge Back port with adjustable work area display
Standardization	EN 837-1
Class	1,6
Compressed air connection	G 1/8
Nominal diameter	40 mm
Scale value	0.2
Range of application min.	0 bar
Range of application max.	4 bar
Display range min.	0 bar

Display range max.	6 bar
Working pressure min.	0 bar
Working pressure max	10 bar
Min. ambient temperature	-40 °C
Max. ambient temperature	60 °C
Medium	Compressed air
Background color	Black
Main scale unit (outside)	bar
Main scale color (outside)	Green
Secondary scale unit (inside)	psi
Secondary scale color (inside)	White
Work Area Display, Color	Red Green
Pointer color	White
Weight	0.09 kg

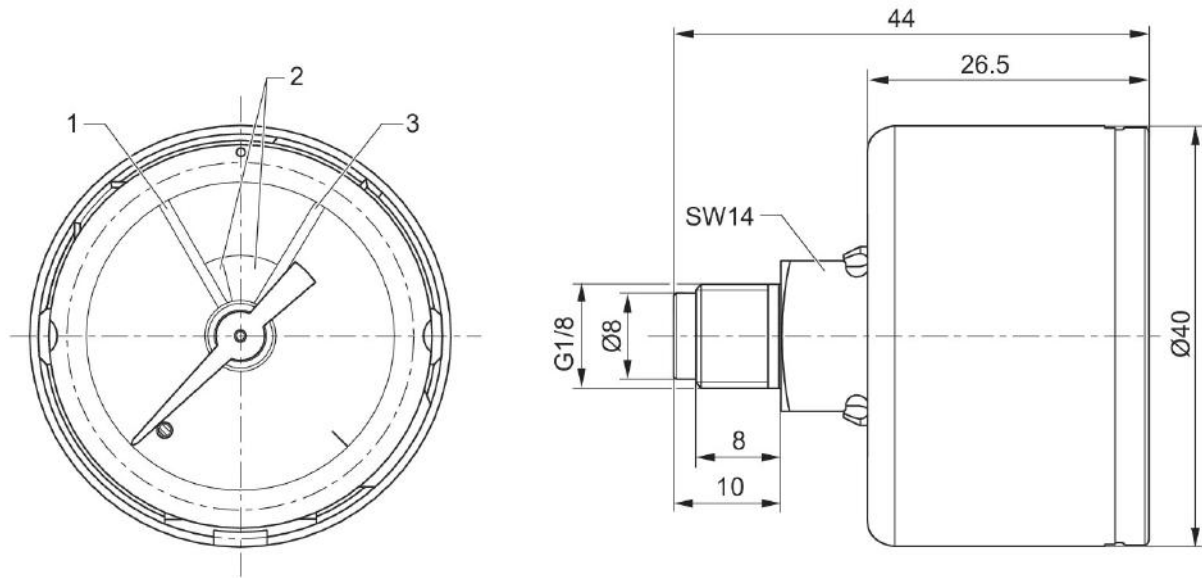
Material

Housing material	Acrylonitrile butadiene styrene
Material viewing window	Polystyrene
Material thread	Brass
	R414010399

Technical information

To set the operating range, the cover (inspection glass) must be removed. To do this, carefully lift the inspection glass by inserting a pointed or flat object in the slot provided for this purpose on the housing circumference.

Dimensions



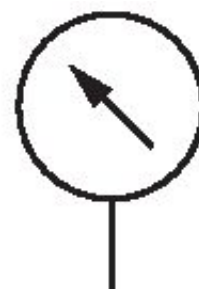
1 = red 2 = green 3 = red

Pressure gauge, Series PG1-PAN-ADJ

R414010400

General series information
Series PG1 Pressure gauges

■ PG1PG1With the AVENTICS Series PG1 you can visualize and rely on a clear air pressure display for each of your pneumatic circuits. In addition to the parameters for controlling the air quality, supplying sufficient pressure is the basis for operating a reliable system within machine automation. Emerson offers mechanical pressure gauges that can be integrated into machines for diverse applications and air preparation systems. The specifications of the individual versions in the universal PG1 Series provide a selection of options, such as appearance, material, or the required type of mounting.



Technical data

Industry	Industrial
Pressure gauge version	Bourdon tube pressure gauge Back port with adjustable work area display
Standardization	EN 837-1
Class	2,5
Compressed air connection	G 1/8
Nominal diameter	40 mm
Scale value	0.1
Range of application min.	0 bar
Range of application max.	2 bar
Display range min.	0 bar

Display range max.	2.5 bar
Working pressure min.	0 bar
Working pressure max	10 bar
Min. ambient temperature	-40 °C
Max. ambient temperature	60 °C
Medium	Compressed air
Background color	Black
Main scale unit (outside)	bar
Main scale color (outside)	Green
Secondary scale unit (inside)	psi
Secondary scale color (inside)	White
Work Area Display, Color	Red Green
Pointer color	White
Weight	0.09 kg

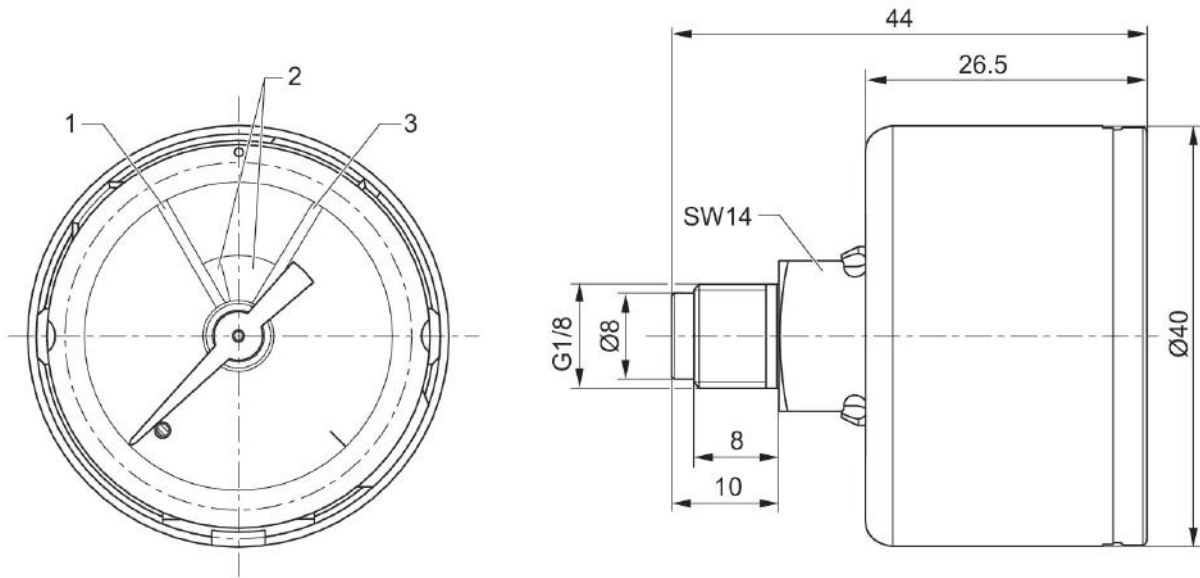
Material

Housing material	Acrylonitrile butadiene styrene
Material viewing window	Polystyrene
Material thread	Brass
	R414010400

Technical information

To set the operating range, the cover (inspection glass) must be removed. To do this, carefully lift the inspection glass by inserting a pointed or flat object in the slot provided for this purpose on the housing circumference.

Dimensions



1 = red 2 = green 3 = red

Series NU2

- Straight female stud fitting
- Internal thread
- G 1/4
- plug-in with tube nut
- Ø 4 Ø 6
- NU2-S-RAI



Working pressure min./max.	0 ... 10 bar
Ambient temperature min./max.	-10 ... 60 °C
Weight per piece	0.01 kg

Technical data

Part No.	Port G	Port D	Delivery unit
1823391082	G 1/4	Ø 4	10 piece
1823391083	G 1/4	Ø 6	10 piece

Technical information

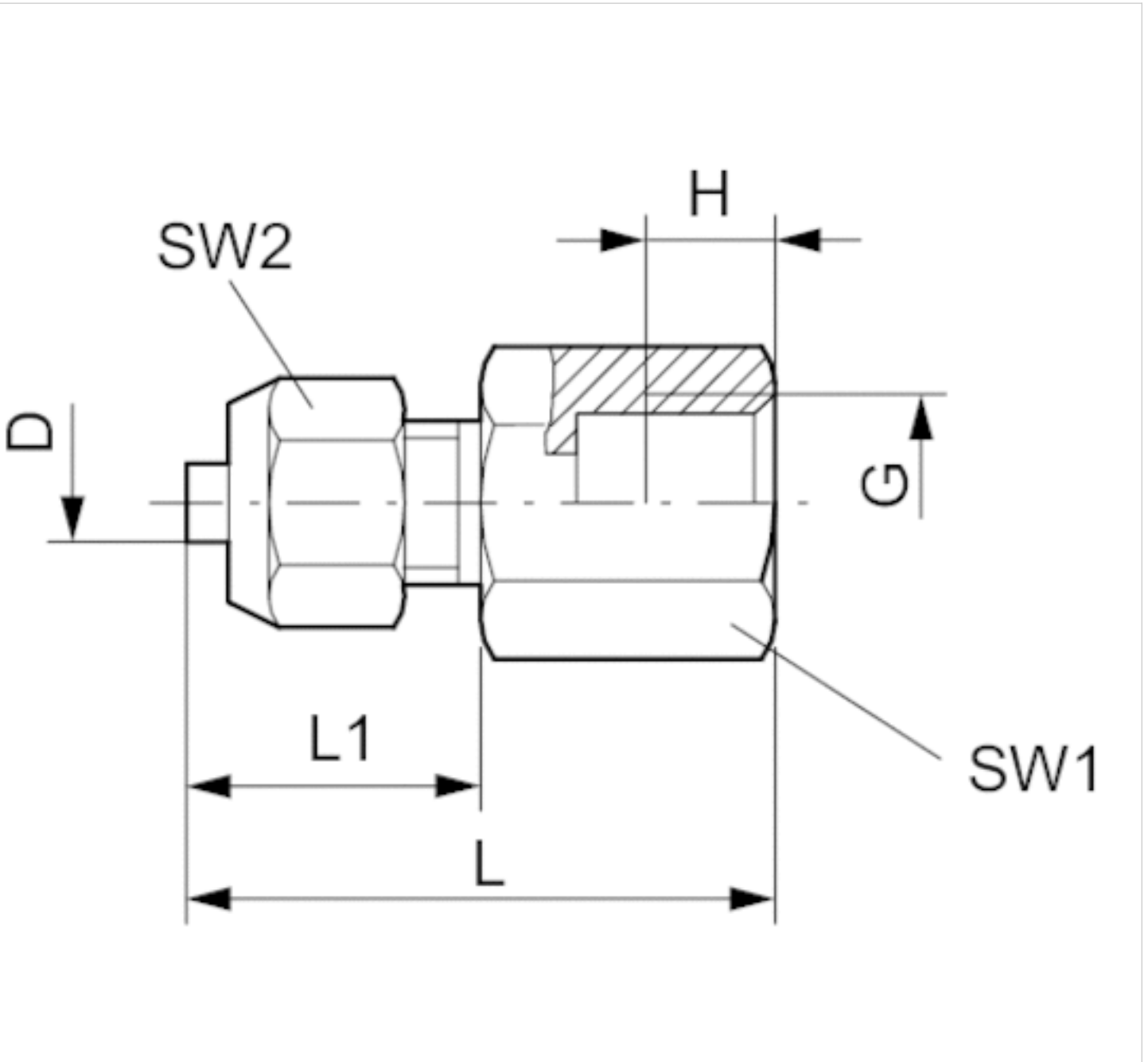
For further information about assembling and tolerances of adaptable tubing can be found in the "Technical information" document (available in the MediaCentre).

Technical information

Material	
Housing	Aluminum, anodized

Dimensions

Dimensions



Dimensions

Part No.	Port D	Port G	H	L	L1	SW 1	SW 2
1823391082	Ø 4	G 1/4	8	27	13	17	11
1823391083	Ø 6	G 1/4	8	28	14	17	13

Connection D = inside diameter of the tubing to be used

Retaining ring, Series PG1-GLY



Technical data

Part No.

3530132602

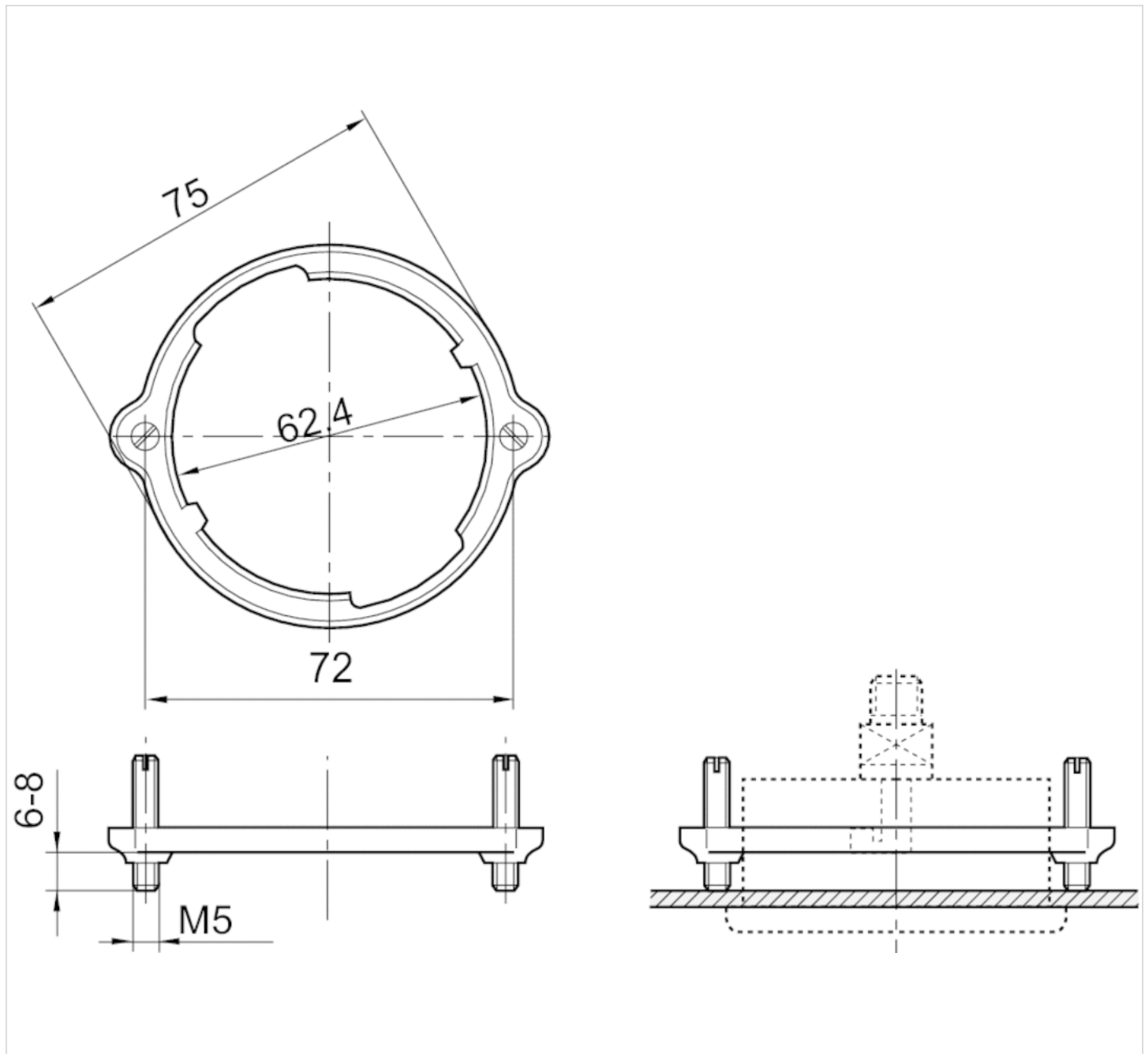
Technical information

Material

Material

Steel

Dimensions



Sealing ring

- Copper



Working pressure min./max.

-0.95 ... 15 bar

Ambient temperature min./max.

-20 ... 150 °C

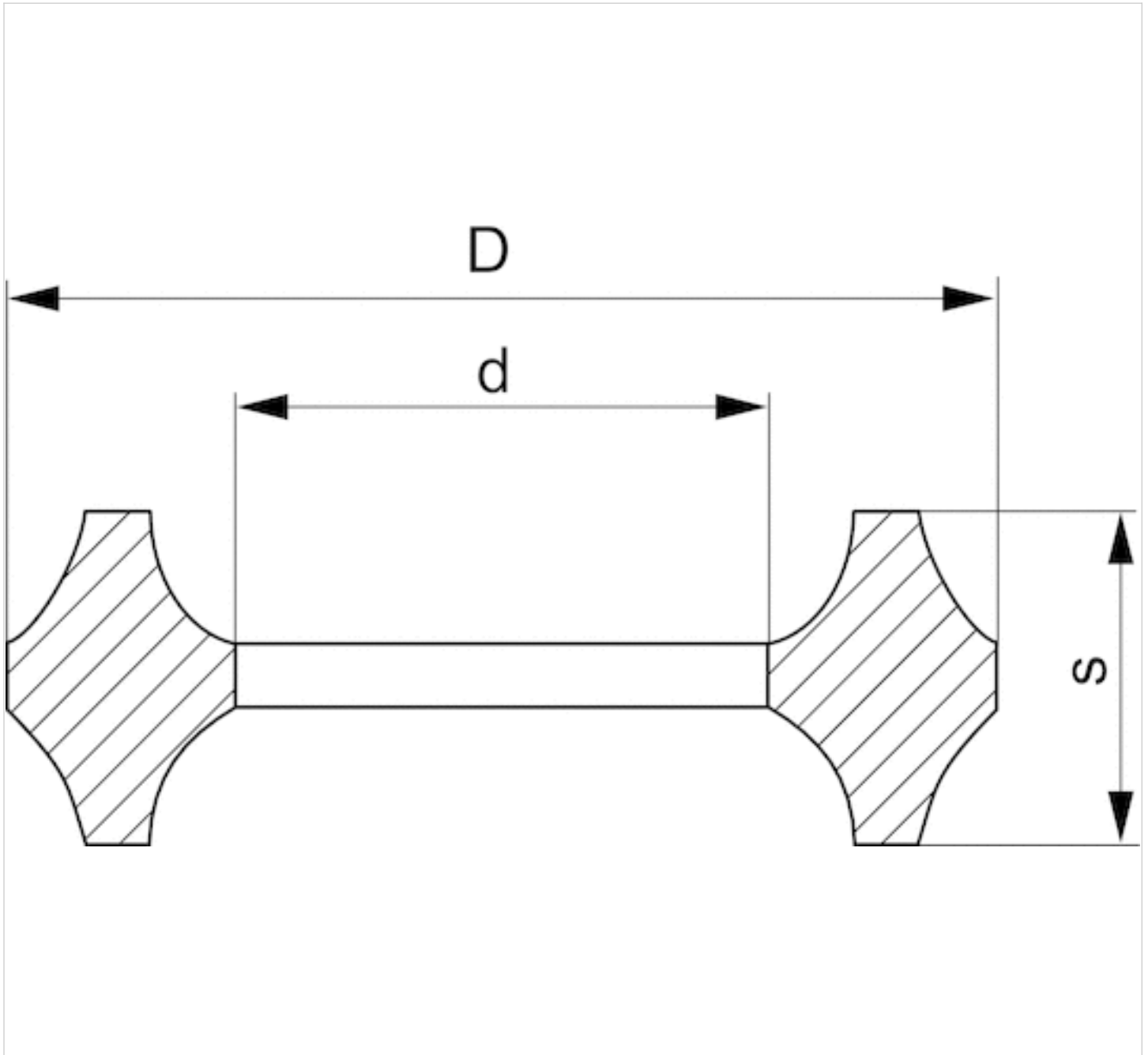
Technical data

Part No.	Delivery unit
1829202004	25 piece

Technical information

Material	
Material	Copper

Dimensions



Dimensions

Part No.	G	Ød	ØD	s	Delivery quantity Pieces	Working pressure min./max.
1829202004	G1/4	5.2	9.5	3.2	25 piece	-0.95 15 bar

G = thread size

Sealing ring

- Aluminum



Working pressure min./max.	-0.95 ... 15 bar
Ambient temperature min./max.	-20 ... 100 °C
Weight	0.37 kg

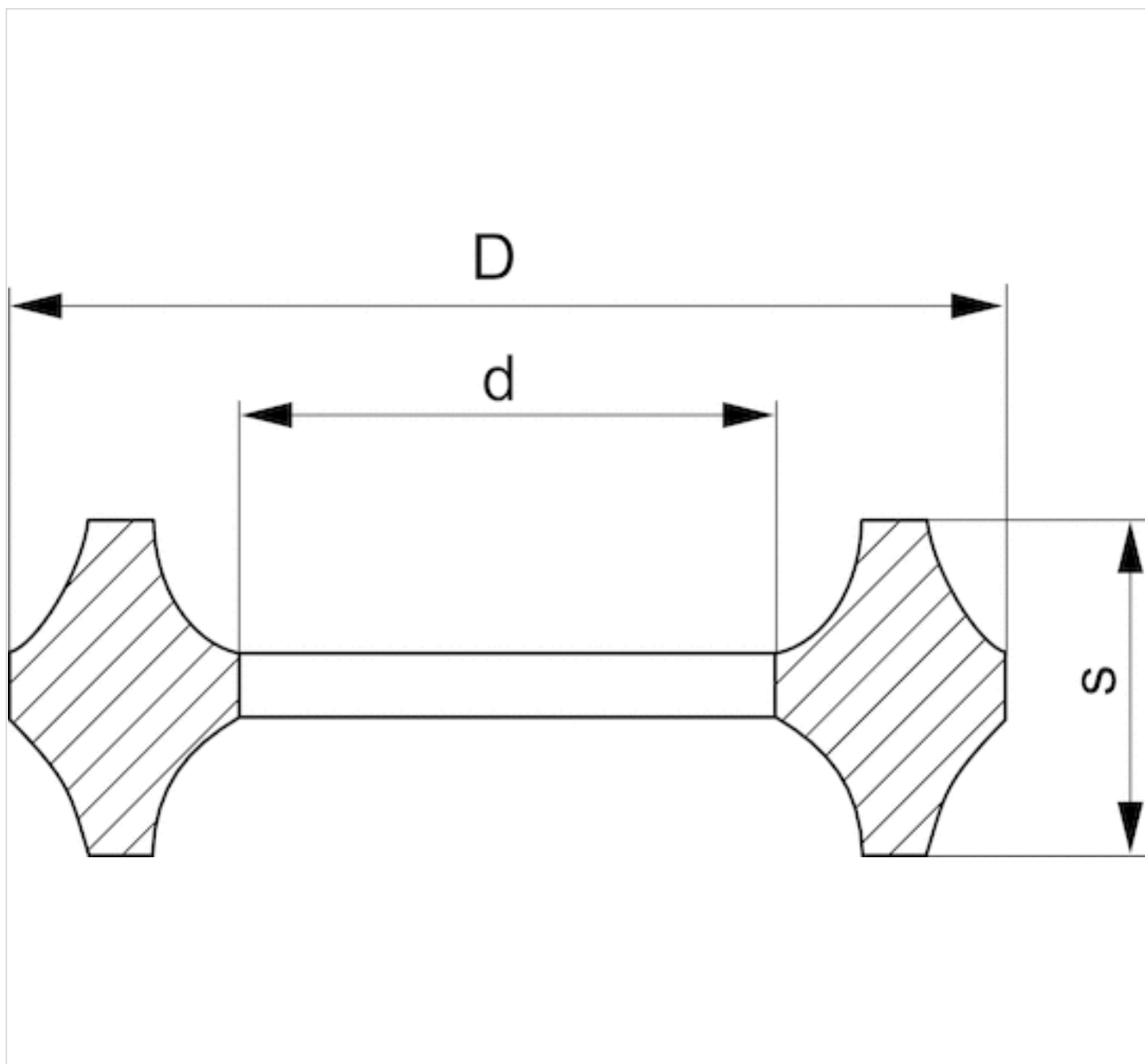
Technical data

Part No.	Delivery unit
8930601014	10 piece

Technical information

Material	
Material	Aluminum

Dimensions



Dimensions

Part No.	G	$\varnothing d$	$\varnothing D$	s	Delivery quantity Pieces	Weight kg
8930601014	G1/4	6	11	3.5	10 piece	0.37 kg

Working pressure min./max.

-0.95 15 bar

G = thread size

Sealing ring

- Copper



Working pressure min./max.

-0.95 ... 15 bar

Ambient temperature min./max.

-20 ... 150 °C

Technical data

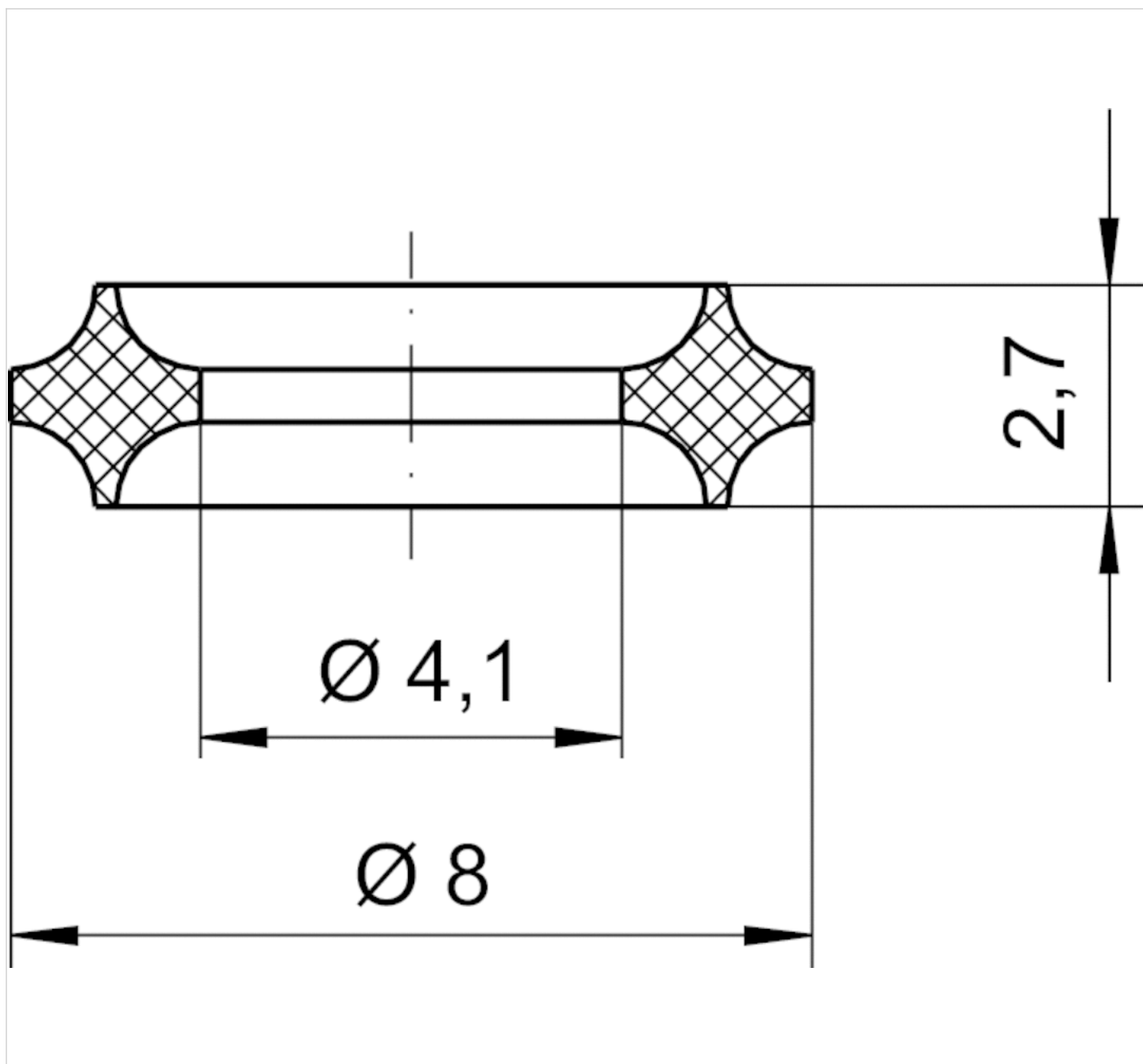
Part No.	Delivery unit
R412026149	25 piece

Technical information

Material	
Material	Copper

Dimensions

Dimensions



Efficient pneumatic solutions, our program: cylinders and drives, valves and valve systems, air supply management



Visit us: [Emerson.com/Aventics](https://www.emerson.com/Aventics)

Your local contact: [Emerson.com/contactus](https://www.emerson.com/contactus)



[Emerson.com](https://www.emerson.com)



[Facebook.com/EmersonAutomationSolutions](https://www.facebook.com/EmersonAutomationSolutions)



[LinkedIn.com/company/Emerson-Automation-Solutions](https://www.linkedin.com/company/Emerson-Automation-Solutions)



[Twitter.com/EMR_Automation](https://twitter.com/EMR_Automation)

An example configuration is depicted on the title page. The delivered product may thus vary from that in the illustration. Subject to change. This Document, as well as the data, specifications and other information set forth in it, are the exclusive property of AVENTICS GmbH. It may not be reproduced or given to third parties without its consent. Only use the AVENTICS products shown in industrial applications. Read the product documentation completely and carefully before using the product. Observe the applicable regulations and laws of the respective country. When integrating the product into applications, note the system manufacturer's specifications for safe use of the product. The data specified only serve to describe the product. No statements concerning a certain condition or suitability for a certain application can be derived from our information. The information given does not release the user from the obligation of own judgement and verification. It must be remembered that the products are subject to a natural process of wear and aging.

The Emerson logo is a trademark and service mark of Emerson Electric Co. Brand logotype are registered trademarks of one of the Emerson family of companies. All other marks are the property of their respective owners. © 2020 Emerson Electric Co. All rights reserved.
2022-12-16



CONSIDER IT SOLVED™