

Digital pressure gauge Model CPG1200

WIKA data sheet CT 10.20

Applications

- Hydrostatic pressure test
- Burst tests
- Leakage measurement
- Setting of switch points on pressure switches
- Analysis of process pressures

Special features

- Setting and checking operating pressures is easier than ever
- Simple data transmission – via USB and Bluetooth®
- For mobile use and stationary continuous operation



Digital pressure gauge, model CPG1200

Description

The battery-operated and very sturdily built digital pressure gauge model CPG1200 has been designed specifically for use in mobile applications. Ranges up to -1 ... 1,000 bar [-14.5 ... 15,000 psi] (gauge pressure) feature an accuracy down to 0.25 % FS.

Checking and setting operating pressures is easier than ever

The instrument is available with the most common process connections and simplifies the workflow thanks to the data logger with up to 1 million data points and min./max. function. In practice, the quick and simple testing also minimises the risk of production downtimes due to critical pressure values in the process - thanks to the intrinsically safe Ex version also in sensitive areas of the oil and gas industry.

Simple data transmission – via USB and Bluetooth®

The model CPG1200 is equipped with a Micro-USB interface for simple and interference-resistant data transmission – and can optionally be expanded to include Bluetooth® for wireless communication.

For mobile use and stationary continuous operation

To ensure that critical pressure changes are detected at an early stage during transports, the CPG1200 continuously records the values and sends an alarm if necessary. Temporary monitoring is no problem thanks to data logger and battery operation.

An energy-saving mode and variable measuring rates allow for operating times of up to 4,000 hours without changing the battery. The battery status display shows when a change is necessary. Thanks to power supply via USB interface, the CPG1200 is also a reliable solution for stationary operation.

Specifications

| Basic information | | |
|---------------------------------------|---|--|
| Accuracy ¹⁾ | <ul style="list-style-type: none"> ■ 0.5 % FS ²⁾ ■ 0.25 % FS ²⁾ | |
| Non-repeatability (per IEC 61298-2) | ≤ 0.1 % FS ²⁾ | |
| Long-term stability (per IEC 61298-2) | ≤ 0.2 % FS ²⁾ | |
| Connection location | Vertical mounting position, process connection lower mount | |
| Adjustment | Offset and span factor adjustable | |
| Functions | | |
| Menu functions | <ul style="list-style-type: none"> <li style="width: 33%;">■ Min./Max. alarm (visual) <li style="width: 33%;">■ Level indication <li style="width: 33%;">■ Power-off function <li style="width: 33%;">■ Tare offset <li style="width: 33%;">■ Measuring rate <li style="width: 33%;">■ Indication damping | |
| Memory | <ul style="list-style-type: none"> ■ Min./Max. memory ■ Integrated data logger | |
| Data logger | <ul style="list-style-type: none"> ■ Automatic recording of up to 1,000,000 values; ■ Interval ⇒ Selectable from 1 ... 3,600 s in 1-second steps or ⇒ Selectable with the measuring rate in the following steps: 1/s, 2/s, 4/s, 10/s | |
| Battery status display | Symbol display with 4 bars indicates the battery status in 25 % steps. | |
| Case | | |
| Material | Case | PBT with 30 % glass fibre |
| | Protective case cap | VMQ (silicone) |
| Dimensions | See dimensions in mm [in], page 7 | |
| Ingress protection | IP65 | |
| Weight ³⁾ | Incl. batteries | <ul style="list-style-type: none"> ■ Standard: 350 g ■ ATEX: 363 g |
| | With protective case cap | <ul style="list-style-type: none"> ■ Standard: 440 g ■ ATEX: 453 g |

1) Including non-linearity, hysteresis, zero offset and end value deviation (corresponds to measured error per IEC 61298-2).

2) FS = Full span = end of measuring range - start of measuring range

3) Weights determined with process connection G ½. With other process connections the weight can be deviate from the values quoted here.

| Digital display | | |
|--------------------------------|--|--|
| Display | | |
| Display range | -9999 ... 19999 digits 4 ½-digit 15-segment display (incl. a large matrix area for auxiliary information) | |
| Display resolution | 4 ½-digit | |
| Backlighting | Activated via button | |
| Bar graph | 0 ... 100 %, 20 individual segments, which show 5 % steps | |
| Menu languages | Adjustable via menu | |
| | <ul style="list-style-type: none"> <li style="width: 33%;">■ English <li style="width: 33%;">■ French <li style="width: 33%;">■ Polish <li style="width: 33%;">■ German <li style="width: 33%;">■ Italian <li style="width: 33%;">■ Spanish <li style="width: 33%;">■ Russian | |
| Units (adjustable via menu) | <ul style="list-style-type: none"> <li style="width: 33%;">■ bar <li style="width: 33%;">■ psi <li style="width: 33%;">■ kg/cm² <li style="width: 33%;">■ mbar <li style="width: 33%;">■ MPa <li style="width: 33%;">■ 1 x user-defined unit | |
| | Additional units only in conjunction with increased accuracy, 0.25 % FS ¹⁾ <ul style="list-style-type: none"> <li style="width: 33%;">■ mmH₂O <li style="width: 33%;">■ mmHg <li style="width: 33%;">■ cm <li style="width: 33%;">■ mH₂O <li style="width: 33%;">■ inHg <li style="width: 33%;">■ mm <li style="width: 33%;">■ inH₂O <li style="width: 33%;">■ Pa <li style="width: 33%;">■ feet <li style="width: 33%;">■ ftH₂O <li style="width: 33%;">■ kPa <li style="width: 33%;">■ inch <li style="width: 33%;">■ kN/m² <li style="width: 33%;">■ m <li style="width: 33%;">■ 1 x user-defined unit | |

1) FS = Full span = end of measuring range - start of measuring range

Reference conditions per IEC 61298-1

| | |
|-----------------------------|--|
| Ambient temperature | 15 ... 25 °C [59 ... 77 °F] |
| Atmospheric pressure | 860 ... 1,060 mbar [12.5 ... 15.4 psi] |
| Air humidity | 45 ... 75 % r. h. (non-condensing) |

Pressure ranges, gauge pressure

| bar | |
|------------|-------------|
| 0 ... 0.4 | 0 ... 40 |
| 0 ... 1 | 0 ... 50 |
| 0 ... 1.6 | 0 ... 60 |
| 0 ... 2.5 | 0 ... 100 |
| 0 ... 4 | 0 ... 160 |
| 0 ... 5 | 0 ... 250 |
| 0 ... 6 | 0 ... 350 |
| 0 ... 10 | 0 ... 400 |
| 0 ... 16 | 0 ... 600 |
| 0 ... 20 | 0 ... 700 |
| 0 ... 25 | 0 ... 1,000 |

| psi | |
|------------|--------------|
| 0 ... 5 | 0 ... 600 |
| 0 ... 15 | 0 ... 750 |
| 0 ... 30 | 0 ... 1,000 |
| 0 ... 70 | 0 ... 1,450 |
| 0 ... 100 | 0 ... 1,500 |
| 0 ... 145 | 0 ... 2,000 |
| 0 ... 150 | 0 ... 3,000 |
| 0 ... 160 | 0 ... 4,000 |
| 0 ... 200 | 0 ... 5,000 |
| 0 ... 250 | 0 ... 6,000 |
| 0 ... 300 | 0 ... 7,500 |
| 0 ... 400 | 0 ... 10,000 |
| 0 ... 500 | 0 ... 15,000 |

Pressure ranges, absolute pressure

| bar abs. | |
|-----------------|----------|
| 0 ... 0.4 | 0 ... 6 |
| 0 ... 1 | 0 ... 10 |
| 0 ... 1.6 | 0 ... 16 |
| 0 ... 2 | 0 ... 25 |
| 0 ... 2.5 | 0 ... 35 |
| 0 ... 4 | |

| psi abs. | |
|-----------------|-----------|
| 0 ... 5 | 0 ... 70 |
| 0 ... 15 | 0 ... 150 |
| 0 ... 30 | 0 ... 300 |

Pressure ranges, vacuum and +/- measuring range

| bar | |
|---------------|-----------|
| -0.2 ... +0.2 | -1 ... 15 |
| -1 ... 0 | -1 ... 16 |
| -1 ... 1 | -1 ... 20 |
| -1 ... 5 | -1 ... 24 |
| -1 ... 9 | -1 ... 40 |
| -1 ... 10 | |

| psi | |
|---------------|---------------|
| -14.5 ... 0 | -14.5 ... 200 |
| -14.5 ... +15 | -14.5 ... 300 |
| -14.5 ... 160 | |

Other measuring ranges on request.

Further details on: Measuring range

Overpressure limit

| | | |
|--------------------------|------------------|---------------------|
| 3 times | ≤ 6 bar | ≤ 70 psi |
| 2 times | ≥ 10 ... 600 bar | ≥ 100 ... 7,500 psi |
| 1.43 times | > 600 | > 7,500 psi |
| Vacuum resistance | Yes | |

Process connection

| Standard | Thread sizes | Possible measuring ranges |
|-------------------|--------------|----------------------------|
| EN 837 | ■ G ¼ B | ≤ 1,000 bar [≤ 15,000 psi] |
| | ■ G ½ B | |
| | ■ G ¾ B | ≤ 400 bar [≤ 6,000 psi] |
| ANSI/ASME B1.20.1 | ■ ¼ NPT | ≤ 1,000 bar [≤ 15,000 psi] |

Further details on: Process connection

| | |
|--|--|
| Pressure port diameter / restrictor | 3.5 mm [0.138 in] |
| Other versions | ■ Oil- and grease-free ¹⁾ ■ For oxygen, oil- and grease-free ²⁾ |
| Material | |
| Wetted parts ¹⁾ | Stainless steel 316L |
| Internal pressure transmission medium | ■ Without ■ Synthetic oil (for measuring ranges ≤ 6 bar [≤ 70 psi]) |

1) Specifications in accordance with technical information IN 00.41

2) 3.1 inspection certificate per DIN EN 10204 (listing of the individual measured values)

→ For drawings of process connections, see page 8

Output signal

Micro-USB 2.0 type B

| | |
|--------------------|--------|
| Max. input voltage | DC 5 V |
| Max. input current | 100 mA |
| Max. power | 500 mW |

Radio standard

Bluetooth®

| | |
|---------------------|-----------------|
| Version | 5.2 Low Energy |
| Frequency range | 2.4 ... 2.5 GHz |
| Range in free field | 5 m [16.4 ft] |

Voltage supply and performance data

| | |
|---------------------|---|
| Battery | 3 x 1.5 V AA alkaline batteries ¹⁾ |
| Battery life | Typically > 4,000 h (without backlighting and with Bluetooth® not active) |

1) For hazardous areas, only approved models are permitted. These are listed separately in the operating instructions and in the additional information.

| Operating conditions | |
|---------------------------------|--|
| Place of use | For indoor and outdoor use |
| Altitude | 2.000 m [6.562 ft] |
| Medium temperature range | -20 ... +50 °C [-4 ... +122 °F] |
| Operating temperature | -10 ... +50 °C [14 ... 122 °F] |
| Storage temperature range | -20 ... +70 °C [-4 ... +158 °F] -18 ... +55 °C [0 ... 122 °F] for ATEX due to batteries |
| Relative humidity, condensation | < 84 % r. h. (non-condensing) |
| Permissible media | All liquids and gases which are compatible with 316 stainless steel |
| Permissible pollution degree | 2 per EN 61010-1 |

Approvals

| Logo | Description | Region |
|----------|--|----------------|
| CE | EU declaration of conformity | European Union |
| | EMC directive EN 61326 emission (group 1, class B) and immunity (industrial environment) | |
| | Pressure equipment directive | |
| | RED - Radio Equipment Directive EN 300 328 harmonised frequency range 2,400 ... 2,500 MHz is used; Bluetooth® 5.2 Low Energy (BLE), max. transmission power 10 mW. The instrument may be used without restrictions in the EU and in the countries of the EFTA | |
| | RoHS directive | |
| UK CA | UKCA | United Kingdom |
| | Electromagnetic compatibility regulations | |
| | Pressure equipment (safety) regulations | |
| | Radio equipment regulations Restriction of hazardous substances (RoHS) regulations | |

Optional approvals

| Logo | Description | Region |
|------|---|----------------|
| | EU declaration of conformity (expected to be available from Q3/2023) | European Union |
| | ATEX directive Hazardous areas | |
| | Ex i Zone 1 mounting to zone 0 gas II 2G Ex ia IIC T4 Ga/Gb Zone 1 gas II 2G Ex ib IIC T4 Gb Zone 2 gas II 2G Ex ic IIC T4 Gc T4 at -10 ... +50 °C | |
| | | |
| | IECEX (expected to be available from Q3/2023) | International |
| | Hazardous areas | |
| | Ex i Zone 1 mounting to zone 0 gas Ex ia IIC T4 Ga/Gb Zone 1 gas Ex ib IIC T4 Gb Zone 2 gas Ex ic IIC T4 Gc T4 at -10 ... +50 °C | |
| | | |

| Logo | Description | Region |
|------|---|----------------|
| | <p>UKCA (expected to be available from Q3/2023) Equipment and protective systems intended for use in potentially explosive atmospheres regulations</p> <p>Ex i Zone 1 mounting to zone 0 gas II 2G Ex ia IIC T4 Ga/Gb Zone 1 gas II 2G Ex ib IIC T4 Gb Zone 2 gas II 2G Ex ic IIC T4 Gc T4 at -10 ... +50 °C</p> | United Kingdom |
| | <p>North America (expected to be available from Q4/2023)</p> <p>Safety (e.g. electr. safety, overpressure, ...) Class - 3631 06 - Electrical measurement and inspection equipment Class - 3631 86 - Electrical equipment for measurement - certified according to US standards</p> <p>Hazardous areas Class - 2258 04 - PROCESS CONTROL EQUIPMENT - Intrinsically safe, entity - hazardous areas</p> <p>Ex i Class I, zone 0 Ex ia IIC T4 Ga Class I, division 1, groups A, B, C and D T4 T4 at -10 ... +50 °C</p> <p>Class - 2258 84 - PROCESS CONTROL EQUIPMENT - Intrinsically safe, entity - hazardous areas - certified in accordance with US standards</p> <p>AEx i Class I, zone 0 AEx ia IIC T4 Ga Class I, division 1, groups A, B, C and D T4 T4 at -10 ... +50 °C</p> | USA and Canada |

Test report

| |
|----------------------------------|
| Test report ¹⁾ |
| 3 measuring points |

1) Only accessible online via the [Product passport](#).

Certificates

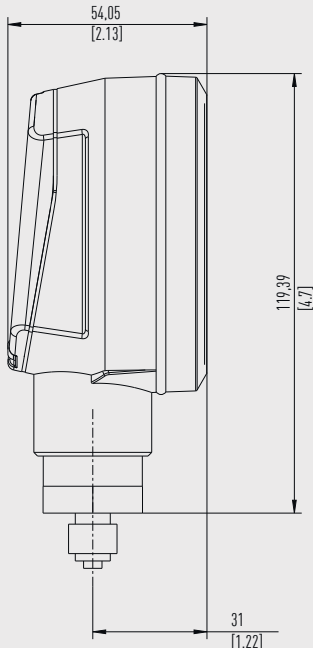
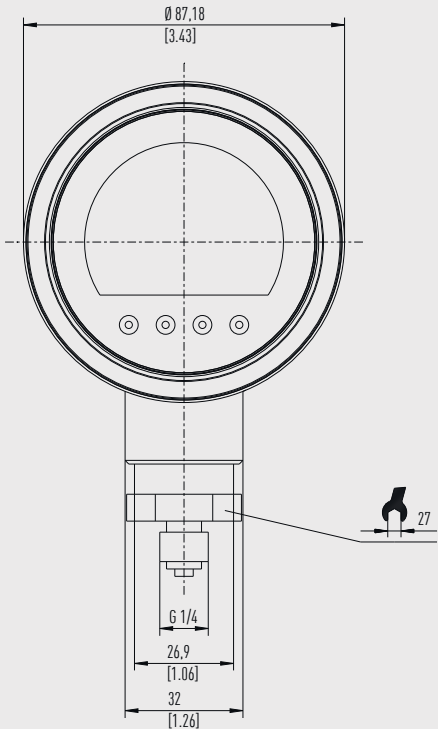
| Certificates | |
|---|---|
| Calibration ¹⁾ | <ul style="list-style-type: none"> ■ Without ■ 3.1 inspection certificate per DIN EN 10204 (factory calibration) ■ DAkkS calibration certificate (traceable and accredited in accordance with ISO/IEC 17025) |
| Recommended calibration interval | 1 year (dependent on conditions of use) |

1) Calibrated in vertical mounting position with process connection facing downwards

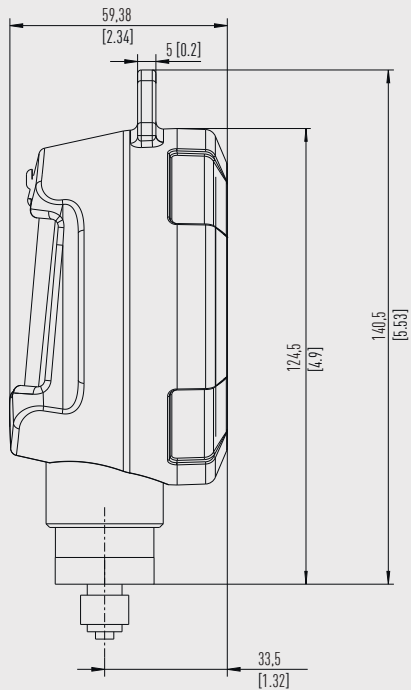
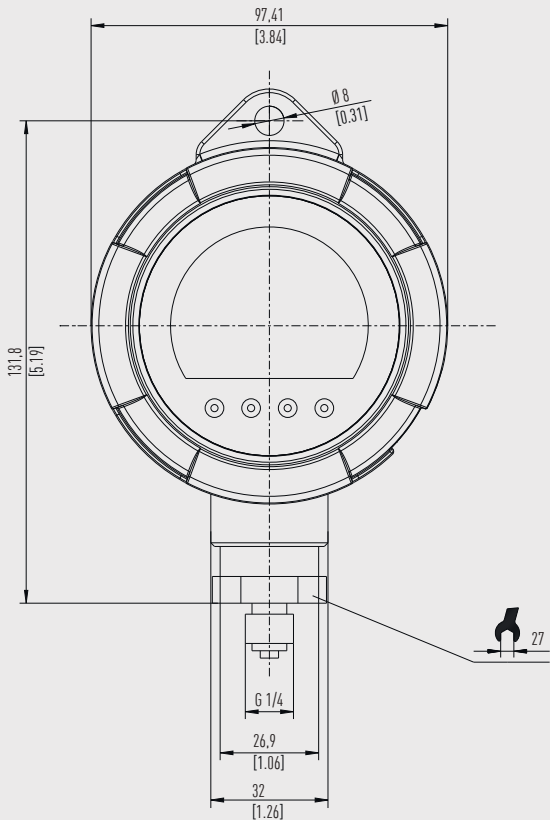
→ For approvals and certificates, see website

Dimensions in mm [in]

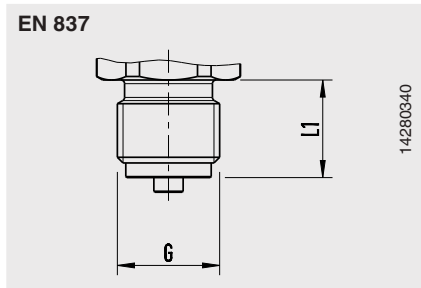
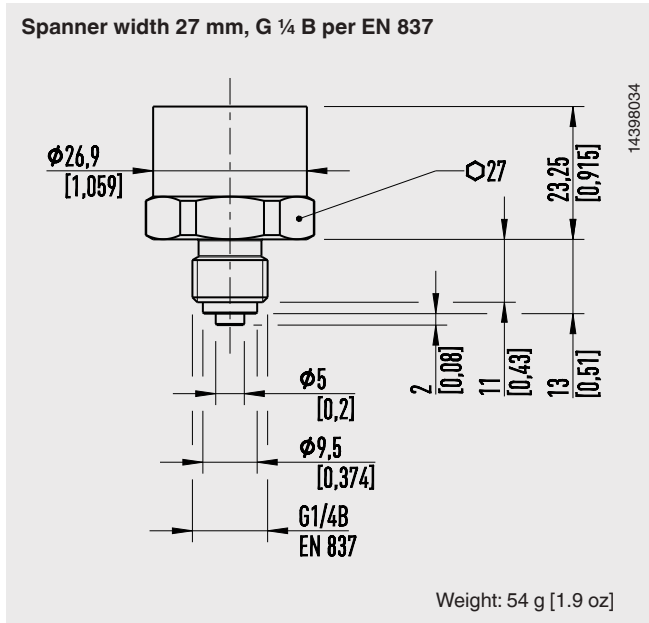
CPG1200 without protective case cap



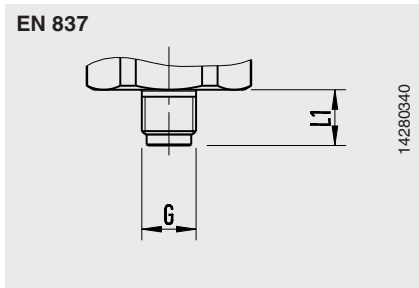
CPG1200 with protective case cap



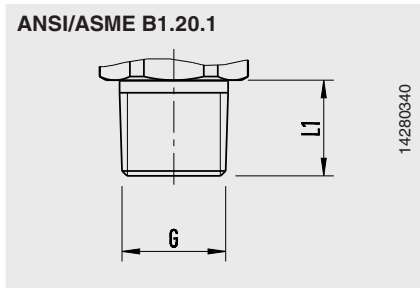
Process connections



| G | L1 |
|-------|-----------|
| G ¼ B | 13 [0.51] |
| G ½ B | 20 [0.79] |

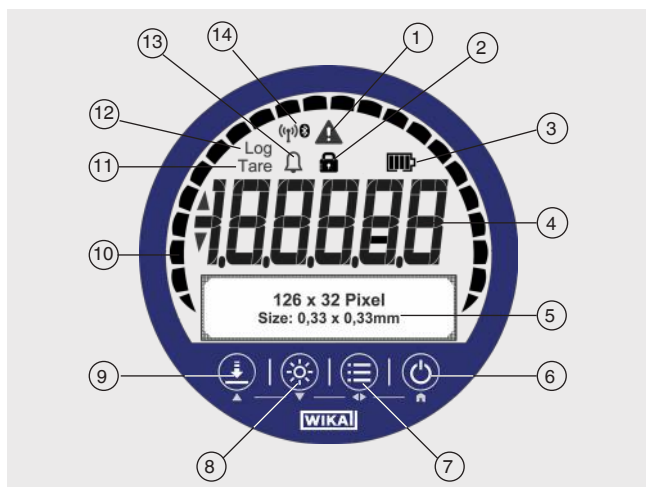


| G | L1 |
|-------|-----------|
| G ½ B | 15 [0.59] |



| G | L1 |
|-------|-----------|
| ¼ NPT | 13 [0.51] |

Front foil



- ① **Warning notice for:**
 - Exceeding or dropping below the pressure range
 - Exceeding or dropping below the temperature range
 - Logger memory is more than 90 % full
 - Instrument error or battery status < 10 %
- ② **Lock symbol**
Menu button or ZERO button locked/unlocked
- ③ **Battery status**
- ④ **Pressure indication**
- ⑤ **Matrix field**
Serves as menu and secondary display
- ⑥ **On/Off button**
- ⑦ **MENU button**
Calling up the menu
- ⑧ **LIGHT button**
Turning the backlighting on and off
- ⑨ **ZERO button**
The current pressure value will be set to "0" (gauge) or reference pressure (abs.)
- ⑩ **Bar graph**
Indicates the current pressure graphically
- ⑪ **Tare**
Tare active/inactive
- ⑫ **Log**
Logger function active/inactive
- ⑬ **Alarm**
Measured value has exceeded or dropped below the alarm limit
- ⑭ **Bluetooth® symbol**
Bluetooth® active/inactive

"myWIKA device" app



Via the app "myWIKA device" and the Bluetooth® connection, the CPG1200 can be configured for calibration and logging tasks in a convenient way through a mobile phone. During the pressure measurement, the value is displayed in the required unit directly on the mobile phone.

Moreover, further parameters like temperature and pressure change rate can be monitored. It is also possible to retrieve more detailed instrument

information directly from the WIKA website. In addition, the app allows configuration, control and saving of log procedures.

Logs that were saved on the mobile phone can be transferred to a PC and be read by WIKA-Cal. This enables them to be processed further and the app forms the final part of a complete solution for handling data from the CPG1200.

For connect to a PC and/or an Android or iOS-enabled device, Bluetooth® 5.2 Low Energy is recommended.



For iOS-based mobile phones, the app is available in the Apple Store under the link below.

[Download here](#)



For mobile phones with an Android operating system, the app is available in the Play Store under the link below.

[Download here](#)



WIKA-Cal calibration software

Easy and fast creation of a high-quality calibration certificate

WIKA-Cal calibration software serves for the creation of logger protocols or calibration certificates for pressure measuring instruments. The demo version is available for a cost-free download.

To switch from the demo version to a licenced version, a USB dongle with a valid licence must be purchased.

The preinstalled demo version changes automatically to the selected version when plugging in the USB dongle and remains available as long as the USB dongle is connected to the PC.



- The user is guided through the logger or calibration process
- Management of calibration data and instrument data
- Intelligent preselection via SQL database
- Menu languages: German, English, Italian, French, Dutch, Polish, Portuguese, Romanian, Spanish, Swedish, Russian, Greek, Japanese, Chinese
More languages are due with software updates
- Customer-specific complete solutions possible
- Maximum degree of automation in connection with our CPG series

The supported instruments are continuously expanded and even customer-specific adaptations are possible.

For further information, see data sheet CT 95.10

Two WIKA-Cal licences are available together with a digital pressure gauge of the CPG series

The WIKA-Cal calibration software is available both for reading the logger data stored in the digital pressure gauge as well as for online calibrations together with a PC. The scope of software functions depends on the selected licence.

Several licences can be combined on one USB dongle.

| Cal-Template (demo version) | Log-Template (full version) |
|--|---|
| Fully automatic calibration | <ul style="list-style-type: none"> ■ Live measured value recording for a certain period of time with selectable interval, duration and start time ■ Readout of the integrated data logger of the digital pressure gauge ■ Creation of logger protocols with graphic and/or tabular representation of the measuring results in PDF format ■ Possibility of exporting measuring results as CSV file |
| Limitation to two measuring points | |
| <ul style="list-style-type: none"> ■ Creation of 3.1 inspection certificates per DIN EN 10204 ■ Calibration data can be exported to Excel® template or XML file ■ Calibration of pressure measuring instruments | |
| Ordering information for your enquiry for a single licence: | |
| Is available for a cost-free download | WIKA-CAL-ZZ-L-Z |

WIKA-DCS configuration software

As a supplement to the model CPG1200 and CPG1500 digital pressure gauges, in addition to the WIKA-Cal calibration software, the WIKA-DCS configuration software is also available.

With the help of the software, the instruments can be easily configured, either via the USB or Bluetooth® connection. The configuration includes, for example, setting the indication unit, displaying the temperature, min./max values and other menu settings.

The software also enables the configuration, control and storage of logger operations.

- Configuring the instrument
- Configuring logger sequences with the CPG1200/CPG1500
- Carrying out logger sequences with the CPG1200/CPG1500
- Downloading log files from the CPG1200/CPG1500
- Download the logger protocols as a CSV file
- Menu languages: German, English, French and Spanish



Minimum system requirements

| | |
|------------------|---|
| Processor | Intel® Pentium® 4 or AMD Athlon® 64 |
| Software | <ul style="list-style-type: none"> ■ Microsoft® Windows® XP with Service Pack 3 ■ Windows® 7 with Service Pack 1 ■ Windows® 8 ■ Windows® 10 |
| Storage | 1 GB RAM and 1 GB free hard disc space (no installation possible on portable flash storage media) |
| Display | 1024 x 768 pixel screen resolution (1280 x 800 pixel recommended) with 16-bit colour depth and 256 MB VRAM |

Microsoft® and Windows® are registered trademarks of Microsoft Corporation in the United States and other countries.

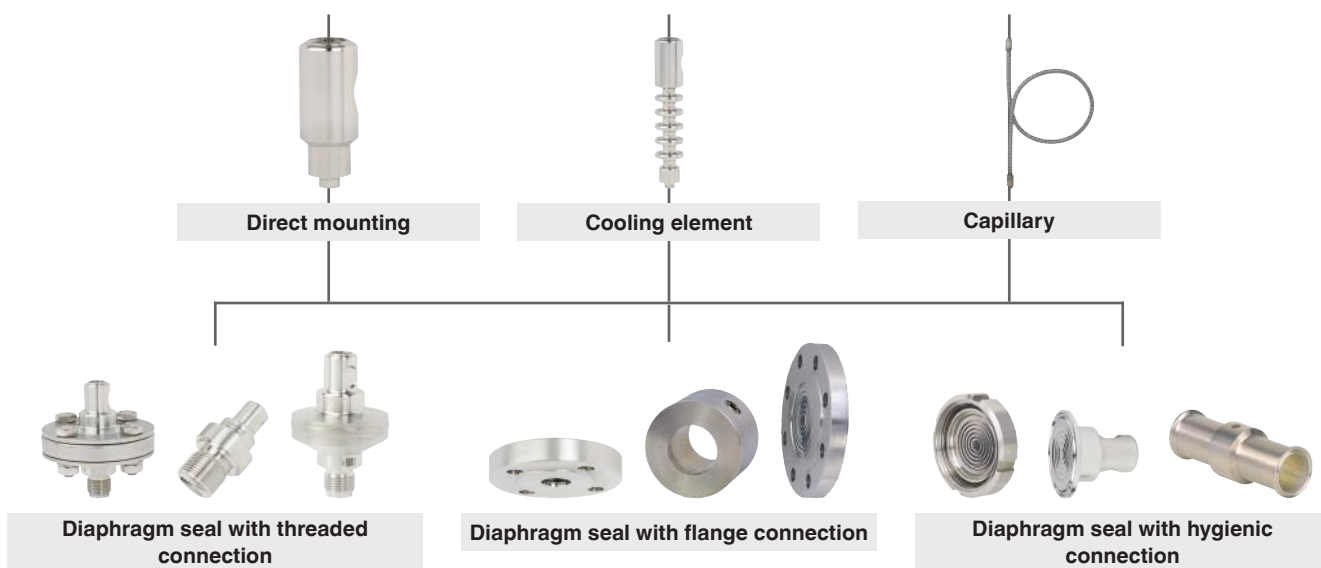
Bluetooth® is a registered trademark of Bluetooth SIG, Inc..

Haven't found the right process connection for your application?

Our diaphragm seals are the right solution

By using diaphragm seals, pressure measuring instruments can be adapted to even the harshest of process conditions. The diaphragm seal systems can be used for processes with gases, compressed air or vapour, with liquid, pasty, powdery and crystallising media and also with aggressive, adhesive, corrosive, highly viscous, environmentally hazardous or toxic media. A diaphragm separates the medium to be measured from the pressure measuring instrument. The internal space between the diaphragm and the pressure measuring instrument is completely filled with a pressure transmission medium. The pressure is transmitted to the measuring instrument via the pressure transmission medium.

There are a wide variety of different designs, process connections and material combinations available for customer-specific solutions. The accurate pressure measurement of all ranges from approx. 10 mbar up to 3,600 bar [0.145 ... 52,214.4 psi], even at extreme temperatures (range -130 ... +400 °C [-202 ... +752 °F]), is thus possible under extreme conditions.



The realisation of your individual solution




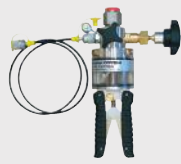
Create your perfect diaphragm seal solution together with us. From the wide variety of realisable combinations, our technology experts will find a proven solution for your application. As required, we will adapt our systems to your individual application.

Talk to us – we are happy to provide you with advice!

Complete measuring and test cases

The available test and service cases are individually equipped according to your needs.
There is a differentiation between 2 different variants.

| Case variants | Measuring case | Test case |
|---|----------------|-----------|
| Recesses for standard components | | |
| Digital pressure gauge model CPG1200 | x | x |
| Case for CPG1200 and accessories | x | x |
| Batteries | x | x |
| USB cable | x | x |
| Sealing set | - | x |
| Recesses for adapter set, optional: | | |
| Series 1620 | x | - |
| Series 1215 | x | - |
| “BSP” adapter set for test item hose; with bar measuring ranges G ¼, male thread to G ⅙, G ⅜ and G ½, female thread | - | x |
| “NPT” adapter set for test item hose; with psi measuring ranges G ¼, male thread to ⅙ NPT, ¼ NPT, ⅜ NPT and ½ NPT, female thread | - | x |
| Recesses for hand test pump, optional: | | |
| Pneumatic, model CPP30, for measuring ranges ≤ 30 bar [≤ 500 psi] | - | x |
| Hydraulic, model CPP700-H, for measuring ranges > 30 ... ≤ 700 bar [> 500 ... ≤ 10,000 psi] | - | x |
| Hydraulic, model CPP1000-H, for measuring ranges > 700 ... ≤ 1,000 bar [> 10,000 ... ≤ 14,500 psi] | - | x |
| Ordering information for your enquiry | DMK1200 | DTK1200 |

| Recommended pressure generation | | |
|--|---|--|
| Hand test pump | Pneumatic, model CPP30 | Hydraulic, model CPP700-H / CPP1000-H |
| |  |  |
| Pressure range | -0.95 ... +35 bar [-28 inHg ... +500 psi] | <ul style="list-style-type: none"> ■ 0 ... 700 bar [0 ... 10,000 psi] ■ 0 ... 1,000 bar [0 ... 14,500 psi] |
| For further specifications, see data sheet | CT 91.06 | CT 91.07 |



Pneumatic service kit incl. pneumatic hand test pump





Hydraulic service kit incl. hydraulic hand test pump

Accessories

| Description ¹⁾ | | Order code |
|---|---|---|
| | | CPG-A-12- |
|  | Alkaline batteries - Ex-approved 3 x 1.5 V AA | -A- |
|  | Micro-USB type B to USB cable Length: 2 m [6.6 ft]  May not be used in hazardous areas! | -M- |
|  | Bluetooth® USB stick  May not be used in hazardous areas! | -2- |
|  | USB power supply unit Power supply unit, DC 5 V with Micro-USB type B connector 1,000 mA  May not be used in hazardous areas! | -P- |
|  | Protective case cap - Ex-approved For CPG1200 case | -G- |
|  | Plastic case For 1 x CPG1200 for storage and transport  The plastic case is not permitted to be used in hazardous areas! | -5- |
|  | Plastic case For 3 x CPG1200 for storage and transport  The plastic case is not permitted to be used in hazardous areas! | -6- |
|  | Plastic case For 1 x digital pressure gauge, 1 x hydraulic hand test pump CPP700-H / CPP1000-H  The plastic case is not permitted to be used in hazardous areas! | -K- |
| | For 1 x digital pressure gauge, 1 x CPP10-H or CPP30 pneumatic hand test pump  The plastic case is not permitted to be used in hazardous areas! | -L- |
|  | Sealing set Consisting of: ■ 4 x G ½ USIT seals ■ 2 x G ¼ USIT seals ■ Plastic box | -D- |
| Ordering information for your enquiry: | | |
| | | 1. Order code: CPG-A-12 2. Option: ↓ [] |

1) The figures are an example and may change depending on the state of the art in design, material composition and representation.

| Description ¹⁾ | | Order code |
|---|--|-------------------|
| | | CPK-MM- |
|  | <p>Series 1620 adapter set in storage case Consisting of: 1 x direct connection G ½ female thread; P_{max} 400 bar [5,800 psi] 1 x direct connection ¼ NPT female thread; P_{max} 630 bar [9,130 psi] 1 x test coupling ISO 228-G ¼ male thread; P_{max} 630 bar [9,130 psi] 2 x test couplings ISO 228-G ⅙ male thread; P_{max} 400 bar [5,800 psi] 1 x test coupling ¼ NPTF male thread; P_{max} 630 bar [9,130 psi] 1 x measuring hose (without check valve); P_{max} 630 bar [9,130 psi] 1 x measuring hose DN 2, length 0.5 m [1.6 ft]; P_{max} 630 bar [9,130 psi]</p> <p>→ For further specifications, see data sheet AC 87.02</p> | -1SZ- |
|  | <p>Series 1215 adapter set in storage case Consisting of: 1 x direct connection G ½ female thread; P_{max} 400 bar [5,800 psi] 1 x direct connection ¼ NPT female thread; P_{max} 630 bar [9,130 psi] 1 x test coupling ISO 228-G ¼ male thread; P_{max} 630 bar [9,130 psi] 2 x test couplings ISO 228-G ⅙ male thread; P_{max} 400 bar [5,800 psi] 1 x test coupling ¼ NPTF male thread; P_{max} 630 bar [9,130 psi] 1 x measuring hose (without check valve); P_{max} 630 bar [9,130 psi] 1 x measuring hose DN 2, length 0.5 m [1.6 ft]; P_{max} 630 bar [9,130 psi]</p> <p>→ For further specifications, see data sheet AC 87.02</p> | -2SZ- |
| Ordering information for your enquiry: | | |
| <p>1. Order code: CPK-MM 2. Option:</p> | | <p>↓ []</p> |

1) The figures are an example and may change depending on the state of the art in design, material composition and representation.

Scope of delivery

- Digital pressure gauge model CPG1200
- 3 x 1.5 V AA alkaline batteries
- Operating instructions

Ordering information

CPG1200 / Explosion protection / Ignition protection type / Zone / Communication / Unit / Pressure type / Measuring range / Process connection / Accuracy / Type of certificate / Ambient temperature / Version for special media / Data logger / Protective case cap / Software / Communications accessories / Interface cable / USB power supply units / Additional accessories / Carrying case / Further approvals / Additional ordering information

© 04/2023 WIKA Alexander Wiegand SE & Co. KG, all rights reserved.
The specifications given in this document represent the state of engineering at the time of publishing.
We reserve the right to make modifications to the specifications and materials.

