

Rosemount™ 5900C Radar Level Gauge

Reliable non-contact measurement for tank gauging systems



- Get the highest reliability for monitoring bulk liquids
- Certified IEC 61508 SIL 2 capable
- Measures level with ± 1 mm (0.04 in.) instrument accuracy
- Bus powered for convenient and safe 2-wire installation
- Full functionality, wired or wireless
- No need to take non-pressurized tanks out of service during installation

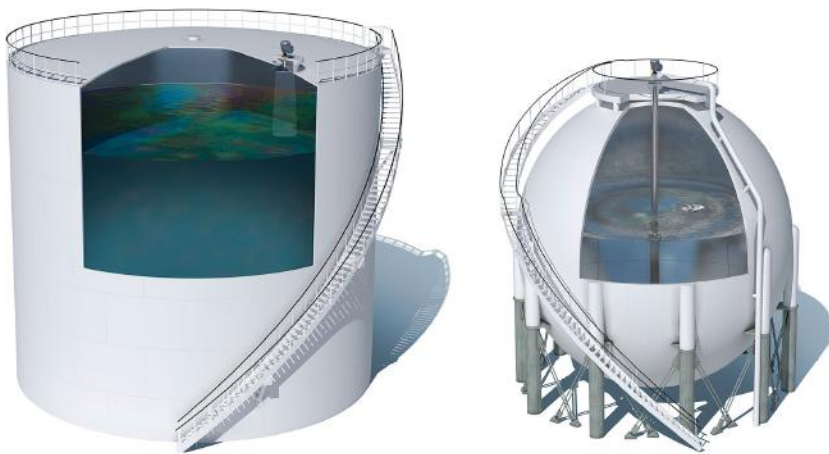
Improve plant efficiency and safety

The highest reliability for your bulk liquid storage tanks

The Rosemount 5900C level gauge with its non-contact radar measurement method ensures state-of-the-art reliability.

- No moving parts
- Less maintenance
- Reliable loss control data

The Rosemount 5900C is normally combined with multiple spot temperature sensors for API standard net volume calculations. It measures level in all bulk storage tank types and products, ranging from liquefied gases, light products, heavy fuel oil, and bitumen.



More efficient operations

- Fewer interruptions and slow-downs
- Most Rosemount 5900C antenna types are installed with the tanks in operation
- Emerson wireless solution can drastically reduce installation cost and give you access to remote tanks
- The Rosemount 5900C is an integrated part of complete tank gauging solutions from Emerson, who has supplied tank gauging for more than 100 000 bulk liquid storage tanks

Taking overfill safety to a higher level

- Certified SIL 2 capable safety according to IEC 61508
- Enables API 2350 compliant solutions

Contents

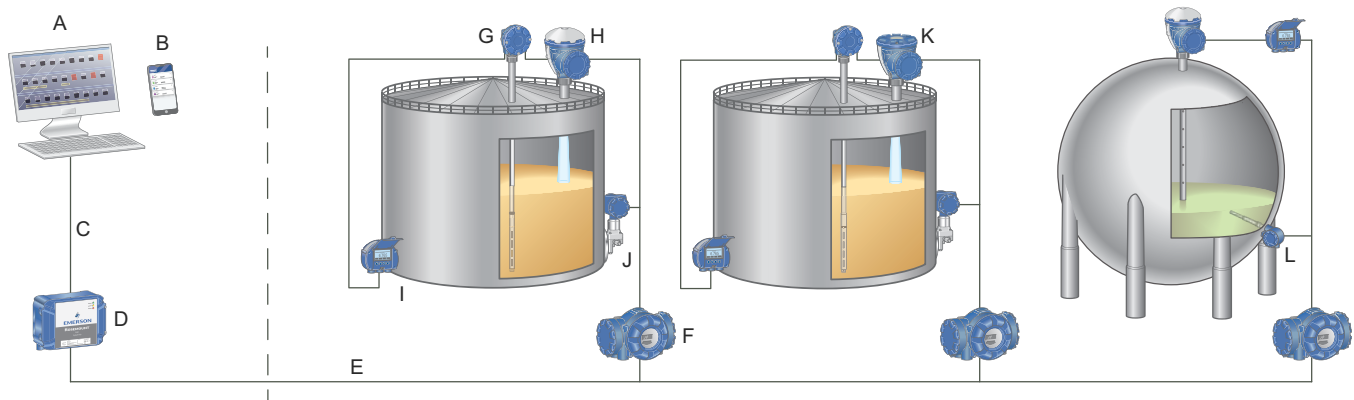
| | |
|---|----|
| Improve plant efficiency and safety..... | 2 |
| Get complete level and inventory information..... | 3 |
| Ordering information..... | 5 |
| Specifications..... | 30 |
| Product certifications..... | 43 |
| Dimensional drawings..... | 44 |

Get complete level and inventory information

The Rosemount 5900C Radar Level Gauge is normally integrated into a complete tank gauging system including average temperature measurement for net volume calculation. See also Rosemount Tank Gauging [System Data Sheet \(SDS\)](#).

Data can be displayed remotely, on a host computer or the TankMaster™ inventory software package. In most cases measurement data is transmitted to the control room via TRL2 Modbus® communication from the tank hub. As an alternative, data can be transmitted via FOUNDATION™ Fieldbus communication directly from the gauge to the control room, without using the tank hub.

Figure 1: Tank Gauging System Overview



- A. Rosemount TankMaster Inventory Management
- B. Rosemount TankMaster Mobile Inventory Management
- C. Modbus® RTU/TCP
- D. Rosemount 2460 System Hub
- E. Tankbus
- F. Rosemount 2410 Tank Hub
- G. Rosemount 2240S Multi-input Temperature Transmitter with Rosemount 765 Multiple Spot Temperature and Water Level Sensor
- H. Rosemount 5900S Radar Level Gauge
- I. Rosemount 2230 Graphical Field Display
- J. Rosemount 3051S Pressure Transmitter
- K. Rosemount 5900C Radar Level Gauge
- L. Rosemount 644 Temperature Transmitter with Rosemount 65, 114C, or 214C Single Point Temperature Sensor

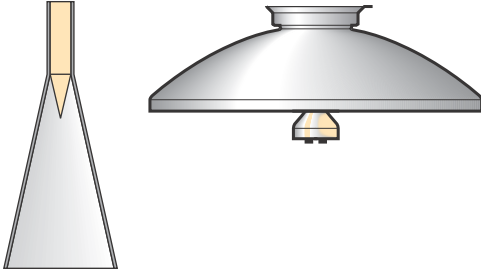
The Rosemount 5900C is optimized for medium to high accuracy applications. For highest precision, we recommend the Rosemount 5900S Radar Level Gauge.

With Rosemount's proprietary emulation technology, tank gauging devices can be cost-effectively added to an existing system using the previous vendor's communication protocol.

Using an Emerson wireless solution is an alternative that saves installation cost and enables full tank gauging functionality for remote tanks where long distance field wiring is obsolete.

Drip-off means no condensation

Since the antenna has an inclined polished PTFE surface where microwaves are emitted, it is less susceptible to condensed water or product. Condensation drops do not coat the active antenna part, so the radar signal remains strong, resulting in higher accuracy and better reliability.

**Access information when you need it with asset tags**

Newly shipped devices include a unique QR code asset tag that enables you to access serialized information directly from the device. With this capability, you can:

- Access device drawings, diagrams, technical documentation, and troubleshooting information in your MyEmerson account
- Improve mean time to repair and maintain efficiency
- Ensure confidence that you have located the correct device
- Eliminate the time-consuming process of locating and transcribing nameplates to view asset information

Rosemount 5900C Radar Level Gauge with parabolic antenna



Rosemount 5900C with parabolic antenna is a non-contact radar level gauge. The parabolic antenna is the first choice for installation on tanks with fixed roofs without a still-pipe. It can be installed on existing manhole covers and close to the tank wall due to the narrow radar beam and high signal to noise ratio. In certain cases, it can be used on tanks with floating roofs to measure the distance down to a target plate on the floating roof.

- Measures all products ranging from light products to heavy fuel oil, bitumen and asphalt
- Antenna design gives extreme tolerance to product build-up and condensation
- Certified SIL 2 capable according to IEC 61508
- Communicates via a 2-wire, low voltage Tankbus for easy and safe installation
- Installation normally with tank in service

[VIEW PRODUCT >](#)

Required model components

Model

| Code | Description |
|-------|-------------------|
| 5900C | Radar Level Gauge |

Performance class

| Code | Description |
|------|--------------------------------------|
| 1 | ±1 mm (0.04 in.) instrument accuracy |
| 2 | ±2 mm (0.08 in.) instrument accuracy |

Safety certification (SIS)

| Code | Description |
|------------------|---|
| S ⁽¹⁾ | Certified IEC 61508 SIL 2 capable |
| F | None. Ready for upgrade to Safety certification (SIS) |
| 0 | None |

(1) Requires Rosemount 2410 with either Analog output 4-20 mA or Relay output code 1 or 2.

Redundancy

| Code | Description |
|------|--|
| 1 | None. Single radar level gauge electronics |

Tankbus: Power and communication

| Code | Description |
|------|---|
| F | Bus powered 2-wire FOUNDATION™ Fieldbus (IEC 61158) |

Hazardous location certification

| Code | Description |
|-------------------|--|
| I1 | ATEX/UKEX Intrinsic Safety |
| I7 | IECEx Intrinsic Safety |
| I5 | FM-US Intrinsic Safety |
| I6 | FM-Canada Intrinsic Safety |
| I2 | INMETRO Intrinsic Safety (Brazil) |
| IP | KC Intrinsic Safety (South Korea) |
| IW | CCOE/PESO Intrinsic Safety (India) |
| I4 ⁽¹⁾ | Japan Intrinsic Safety |
| IM | Technical Regulations Customs Union (EAC) Intrinsic Safety |
| NA | None |

(1) Not available with Cable entry/Conduit connections code E or M.

Custody transfer type approval

| Code | Description |
|------|-------------|
| 0 | None |

Level measurement method

| Code | Description |
|------|--|
| 1 | 10 GHz FMCW radar technology |
| 2 | 10 GHz FMCW radar technology for US/Russian installation |

Housing

| Code | Description |
|------|---|
| A | Standard enclosure, polyurethane-covered aluminum. IP 66/67 |

Cable entry/Conduit connections

| Code | Description |
|------|--|
| 1 | ½ - 14 NPT, female thread. (1 plug included) |
| 2 | M20 x 1.5 adapters, female thread. (2 adapters and 1 plug included) |
| G | Metal cable glands (½ - 14 NPT). Minimum temperature -20 °C (-4 °F). ATEX/IECEx Exe approved. (2 glands and 1 plug included) |
| E | eurofast® male connector (1 plug included) |
| M | minifast® male connector (1 plug included) |

Antenna

| Code | Description |
|------|-------------------|
| 1P | Parabolic antenna |

Antenna size

| Code | Description |
|------|------------------------------------|
| F | 20 in./DN 500, Ø=440 mm (17.3 in.) |

Antenna material

| Code | Description |
|------|-------------------------|
| S | SST AISI 316L/EN 1.4436 |

Tank seal

| Code | Description |
|------|---|
| PF | PTFE with FEP fluoropolymer O-ring |
| PK | PTFE with Kalrez® perfluoroelastomer O-ring |

Tank connection

| Code | Description |
|------|-------------------------------|
| WE | Welded installation |
| CL | Clamped/threaded installation |

Antenna options

| Code | Description |
|------------------|-----------------------------------|
| 0 | None |
| V ⁽¹⁾ | Proof test verification reflector |

(1) Not available with Options code U1.

Additional options**Safety certificate**

Requires Safety certification (SIS) code S.

| Code | Description |
|------|---|
| QT | IEC 61508 certificate and FMEDA-data (printed copy) |

Calibration certificate

| Code | Description |
|------|--|
| Q4 | Calibration certificate (tank height up to 30 m (100 ft), printed copy) |
| QL | Calibration certificate 40 m (tank height up to 40 m (130 ft), printed copy) |

Material traceability certificate

Not available for transmitter head sparepart.

| Code | Description |
|------|--|
| Q8 | Antenna material traceability certification per EN 10204 3.1 |

Overfill protection approval

| Code | Description |
|-------------------|---|
| U1 ⁽¹⁾ | TÜV/DIBt WHG approval for overfill protection |
| U2 | SVTI approval for overfill protection (Switzerland) |

⁽¹⁾ Requires one or more relay outputs in the Rosemount 2410 Tank Hub.

Tag plate

| Code | Description |
|------|--|
| ST | Engraved SST tag plate (tag shall be submitted with order) |

Extended product warranty

Rosemount extended warranties have a limited warranty of three or five years from date of shipment.

| Code | Description |
|------|-------------------------|
| WR3 | 3-year limited warranty |
| WR5 | 5-year limited warranty |

Rosemount 5900C Radar Level Gauge with cone antenna



Rosemount 5900C with cone antenna is a non-contact radar level gauge. It is designed for easy installation on fixed roofs tanks, with smaller nozzles.

- Communicates via a 2-wire, intrinsically safe Tankbus for easy and safe installation
- Installation normally with tank in service
- Measures on a variety of products except asphalt or similar for which the parabolic antenna is recommended

[VIEW PRODUCT >](#)

Required model components

Model

| Code | Description |
|-------|-------------------|
| 5900C | Radar Level Gauge |

Performance class

| Code | Description |
|------|--------------------------------------|
| 2 | ±2 mm (0.08 in.) instrument accuracy |

Safety certification (SIS)

| Code | Description |
|------------------|---|
| S ⁽¹⁾ | Certified IEC 61508 SIL 2 capable |
| F | None. Ready for upgrade to Safety certification (SIS) |
| 0 | None |

(1) Requires Rosemount 2410 with either Analog output 4-20 mA or Relay output code 1 or 2.

Redundancy

| Code | Description |
|------|--|
| 1 | None. Single radar level gauge electronics |

Tankbus: Power and communication

| Code | Description |
|------|---|
| F | Bus powered 2-wire FOUNDATION™ Fieldbus (IEC 61158) |

Hazardous location certification

| Code | Description |
|-------------------|--|
| I1 | ATEX/UKEX Intrinsic Safety |
| I7 | IECEX Intrinsic Safety |
| I5 | FM-US Intrinsic Safety |
| I6 | FM-Canada Intrinsic Safety |
| I2 | INMETRO Intrinsic Safety (Brazil) |
| IP | KC Intrinsic Safety (South Korea) |
| IW | CCOE/PESO Intrinsic Safety (India) |
| I4 ⁽¹⁾ | Japan Intrinsic Safety |
| IM | Technical Regulations Customs Union (EAC) Intrinsic Safety |
| NA | None |

(1) Not available with Cable entry/Conduit connections code E or M.

Custody transfer type approval

| Code | Description |
|------|-------------|
| 0 | None |

Level measurement method

| Code | Description |
|------|--|
| 1 | 10 GHz FMCW radar technology |
| 2 | 10 GHz FMCW radar technology for US/Russian installation |

Housing

| Code | Description |
|------|---|
| A | Standard enclosure, polyurethane-covered aluminum. IP 66/67 |

Cable entry/Conduit connections

| Code | Description |
|------|--|
| 1 | ½ - 14 NPT, female thread. (1 plug included) |
| 2 | M20 x 1.5 adapters, female thread. (2 adapters and 1 plug included) |
| G | Metal cable glands (½ - 14 NPT). Minimum temperature -20 °C (-4 °F). ATEX/IECEX Exe approved. (2 glands and 1 plug included) |

| Code | Description |
|------|--|
| E | eurofast® male connector (1 plug included) |
| M | minifast® male connector (1 plug included) |

Antenna

| Code | Description |
|------|--------------|
| 1C | Cone antenna |

Antenna size

| Code | Description |
|------------------|------------------------------------|
| 4 | 4 in. / DN 100, Ø=93 mm (3.7 in.) |
| 6 ⁽¹⁾ | 6 in. / DN 150, Ø=141 mm (5.6 in.) |
| 8 ⁽¹⁾ | 8 in. / DN 200, Ø=189 mm (7.4 in.) |
| X | Customer-specific, consult factory |

(1) Only for free propagation installations.

Antenna material

| Code | Description |
|------|--|
| S | SST AISI 316/316L and SST EN 1.4401/1.4404 |
| X | Customer-specific, consult factory |

Tank seal

| Code | Description |
|------|--|
| PV | PTFE with Viton® fluoroelastomer O-rings |
| PK | PTFE with Kalrez® perfluoroelastomer O-rings |
| QV | Quartz with Viton® fluoroelastomer O-rings |
| QK | Quartz with Kalrez® perfluoroelastomer O-rings |

Tank connection

| Code | Description |
|---|-----------------|
| ANSI Hole Pattern (SST AISI 316 L) – Flat Face ⁽¹⁾ | |
| 6T | 6 in. Class 150 |
| 8T | 8 in. Class 150 |
| EN Hole Pattern (SST EN 1.4404) – Flat Face ⁽¹⁾ | |
| KT | DN 150/PN 16 |
| MT | DN 200/PN 10 |

| Code | Description |
|---|-------------------------------------|
| ANSI flanges (SST AISI 316 L) – Raised Face | |
| 4A | 4 in. Class 150 |
| 4B | 4 in. Class 300 |
| 6A | 6 in. Class 150 |
| 6B | 8 in. Class 150 |
| EN flanges (SST EN 1.4404) – Flat Face | |
| JA | DN 100 PN 16 |
| JB | DN 100 PN 40 |
| KA | DN 150 PN 16 |
| LA | DN 200 PN 16 |
| Other | |
| 00 | None |
| XX | Customer-specific, consult factory. |

(1) *Thin flange for non-pressurized applications, max pressure 0,2 bar (2.9 psi).*

Antenna options

| Code | Description |
|------------------|--|
| 0 | None |
| 1 ⁽¹⁾ | Extended Cone Antenna, total length 20 in. (500 mm). |
| X | Customer-specific, consult factory. |

(1) *Requires Antenna size code 4 or 6.*

Additional options

Safety certificate

Requires Safety certification (SIS) code S.

| Code | Description |
|------|---|
| QT | IEC 61508 certificate and FMEDA-data (printed copy) |

Calibration certificate

| Code | Description |
|------|--|
| Q4 | Calibration certificate (printed copy) |

Material traceability certificate

Not available for transmitter head sparepart.

| Code | Description |
|------|--|
| Q8 | Antenna material traceability certification per EN 10204 3.1 |

Overfill protection approval

| Code | Description |
|-------------------|---|
| U1 ⁽¹⁾ | TÜV/DIBt WHG approval for overfill protection |
| U2 | SVTI approval for overfill protection (Switzerland) |

(1) Requires one or more relay outputs in the Rosemount 2410 Tank Hub.

Tag plate

| Code | Description |
|------|--|
| ST | Engraved SST tag plate (tag shall be submitted with order) |

Extended product warranty

Rosemount extended warranties have a limited warranty of three or five years from date of shipment.

| Code | Description |
|------|-------------------------|
| WR3 | 3-year limited warranty |
| WR5 | 5-year limited warranty |

Rosemount 5900C Radar Level Gauge with still-pipe array antenna



The Rosemount 5900C with array antenna is a non-contact radar level gauge for still-pipe measurement. It is available in two versions, fixed and hinged hatch. Typical applications are crude oil tanks with floating roofs and gasoline/product tanks with or without inner floating roofs.

- Suitable for crude oil, gasoline or similar products. For Methanol please consult factory.
- Certified SIL 2 capable according to IEC 61508
- Tolerant against rust and product deposits inside the pipe
- Communicates via a 2-wire, low voltage Tankbus for easy and safe installation
- Hinged hatch version enables easier product sampling and hand-dips
- Installation normally with tank in service

[VIEW PRODUCT >](#)

Required model components

Model

| Code | Description |
|-------|-------------------|
| 5900C | Radar Level Gauge |

Performance class

| Code | Description |
|------|--------------------------------------|
| 1 | ±1 mm (0.04 in.) instrument accuracy |
| 2 | ±2 mm (0.08 in.) instrument accuracy |

Safety certification (SIS)

| Code | Description |
|------------------|---|
| S ⁽¹⁾ | Certified IEC 61508 SIL 2 capable |
| F | None. Ready for upgrade to Safety certification (SIS) |
| 0 | None |

(1) Requires Rosemount 2410 with either Analog output 4-20 mA or Relay output code 1 or 2.

Redundancy

| Code | Description |
|------|--|
| 1 | None. Single radar level gauge electronics |

Tankbus: Power and communication

| Code | Description |
|------|---|
| F | Bus powered 2-wire FOUNDATION™ Fieldbus (IEC 61158) |

Hazardous location certification

| Code | Description |
|-------------------|--|
| I1 | ATEX/UKEX Intrinsic Safety |
| I7 | IECEx Intrinsic Safety |
| I5 | FM-US Intrinsic Safety |
| I6 | FM-Canada Intrinsic Safety |
| I2 | INMETRO Intrinsic Safety (Brazil) |
| IP | KC Intrinsic Safety (South Korea) |
| IW | CCOE/PESO Intrinsic Safety (India) |
| I4 ⁽¹⁾ | Japan Intrinsic Safety |
| IM | Technical Regulations Customs Union (EAC) Intrinsic Safety |
| NA | None |

(1) Not available with Cable entry/Conduit connections code E or M.

Custody transfer type approval

| Code | Description |
|------|-------------|
| 0 | None |

Level measurement method

| Code | Description |
|------|--|
| 1 | 10 GHz FMCW radar technology |
| 2 | 10 GHz FMCW radar technology for US/Russian installation |

Housing

| Code | Description |
|------|---|
| A | Standard enclosure, polyurethane-covered aluminum. IP 66/67 |

Cable entry/Conduit connections

| Code | Description |
|------|--|
| 1 | ½ - 14 NPT, female thread. (1 plug included) |
| 2 | M20 x 1.5 adapters, female thread. (2 adapters and 1 plug included) |
| G | Metal cable glands (½ - 14 NPT). Minimum temperature -20 °C (-4 °F). ATEX/IECEx Exe approved. (2 glands and 1 plug included) |
| E | eurofast® male connector (1 plug included) |
| M | minifast® male connector (1 plug included) |

Antenna

| Code | Description |
|------|--------------------------|
| 1A | Still-pipe array antenna |

Antenna size

| Code | Description |
|------|------------------------------------|
| 5 | 5 in./DN 125, Ø=120 mm (4.7 in.) |
| 6 | 6 in./DN 150, Ø=145 mm (5.7 in.) |
| 8 | 8 in./DN 200, Ø=189 mm (7.4 in.) |
| A | 10 in./DN 250, Ø=243 mm (9.8 in.) |
| B | 12 in./DN 300, Ø=293 mm (11.8 in.) |

Antenna material

| Code | Description |
|------|---|
| S | SST (AISI 316L / EN 1.4404) and PPS (polyphenylene sulfide) |

Tank seal

| Code | Description |
|------|--|
| FF | Fixed flange installation with fluorosilicone O-ring |
| HH | Integrated hatch installation with fluorosilicone O-ring (direct access to pipe with hand gauge) |

Tank connection

| Code | Description |
|--|------------------|
| ANSI Hole Pattern (SST AISI 316/316 L) – Flat Face | |
| 5A | 5 in. Class 150 |
| 6A | 6 in. Class 150 |
| 8A | 8 in. Class 150 |
| AA | 10 in. Class 150 |
| BA | 12 in. Class 150 |
| EN Hole Pattern (SST EN 1.4404) – Flat Face | |
| KA | DN 150 PN 16 |
| LA | DN 200 PN 10 |
| MB | DN 250 PN 16 |

Antenna options

| Code | Description |
|---------------------|---|
| 0 | None |
| C | Clamp flange in galvanized steel (for still-pipes without a flange). Available for 6, 8, 10, and 12 in. tank connections. |
| V ⁽¹⁾⁽²⁾ | Proof test verification reflector (size equal to Tank connection) |

(1) Requires Antenna size code 6, 8, A, or B.

(2) Not available with Options code U1.

Additional options**Safety certificate**

Requires Safety certification (SIS) code S.

| Code | Description |
|------|---|
| QT | IEC 61508 certificate and FMEDA-data (printed copy) |

Calibration certificate

| Code | Description |
|------|--|
| Q4 | Calibration certificate (tank height up to 30 m (100 ft), printed copy) |
| QL | Calibration certificate 40 m (tank height up to 40 m (130 ft), printed copy) |

Material traceability certificate

Not available for transmitter head sparepart.

| Code | Description |
|------|--|
| Q8 | Antenna material traceability certification per EN 10204 3.1 |

Overfill protection approval

| Code | Description |
|-------------------|---|
| U1 ⁽¹⁾ | TÜV/DIBt WHG approval for overfill protection |
| U2 | SVTI approval for overfill protection (Switzerland) |

(1) Requires one or more relay outputs in the Rosemount 2410 Tank Hub.

Tag plate

| Code | Description |
|------|--|
| ST | Engraved SST tag plate (tag shall be submitted with order) |

Extended product warranty

Rosemount extended warranties have a limited warranty of three or five years from date of shipment.

| Code | Description |
|-------------|-------------------------|
| WR3 | 3-year limited warranty |
| WR5 | 5-year limited warranty |

Rosemount 5900C Radar Level Gauge with LPG/LNG antenna



The Rosemount 5900C with LPG/LNG antenna is a non-contact radar level gauge for measurement on pressurized or cryogenic liquefied gas. Radar signals are transmitted inside the still-pipe which enables the gauge to have a sufficiently strong echo even under turbulent conditions, such as a boiling surface.

- Certified SIL 2 capable according to IEC 61508
- Reference device function enables measurement verification with the tank in service
- Communicates via a 2-wire, low voltage Tankbus for easy and safe installation
- Built-in pressure sensor for vapor compensation gives best measurement performance
- Integrated ball valve

VIEW PRODUCT >

Required model components

Model

| Code | Description |
|-------|-------------------|
| 5900C | Radar Level Gauge |

Performance class

| Code | Description |
|------|--------------------------------------|
| 1 | ±1 mm (0.04 in.) instrument accuracy |
| 2 | ±2 mm (0.08 in.) instrument accuracy |

Safety certification (SIS)

| Code | Description |
|------------------|---|
| S ⁽¹⁾ | Certified IEC 61508 SIL 2 capable |
| F | None. Ready for upgrade to Safety certification (SIS) |
| 0 | None |

(1) Requires Rosemount 2410 with either Analog output 4-20 mA or Relay output code 1 or 2.

Redundancy

| Code | Description |
|------|--|
| 1 | None. Single radar level gauge electronics |

Tankbus: Power and communication

| Code | Description |
|------|---|
| F | Bus powered 2-wire FOUNDATION™ Fieldbus (IEC 61158) |

Hazardous location certification

| Code | Description |
|-------------------|--|
| I1 | ATEX/UKEX Intrinsic Safety |
| I7 | IECEx Intrinsic Safety |
| I5 | FM-US Intrinsic Safety |
| I6 | FM-Canada Intrinsic Safety |
| I2 | INMETRO Intrinsic Safety (Brazil) |
| IP | KC Intrinsic Safety (South Korea) |
| IW | CCOE/PESO Intrinsic Safety (India) |
| I4 ⁽¹⁾ | Japan Intrinsic Safety |
| IM | Technical Regulations Customs Union (EAC) Intrinsic Safety |
| NA | None |

(1) Not available with Cable entry/Conduit connections code E or M.

Custody transfer type approval

| Code | Description |
|------|-------------|
| 0 | None |

Level measurement method

| Code | Description |
|------|--|
| 1 | 10 GHz FMCW radar technology |
| 2 | 10 GHz FMCW radar technology for US/Russian installation |

Housing

| Code | Description |
|------|---|
| A | Standard enclosure, polyurethane-covered aluminum. IP 66/67 |

Cable entry/Conduit connections

| Code | Description |
|------|--|
| 1 | ½ - 14 NPT, female thread. (1 plug included) |
| 2 | M20 x 1.5 adapters, female thread. (2 adapters and 1 plug included) |
| G | Metal cable glands (½ - 14 NPT). Minimum temperature -20 °C (-4 °F). ATEX/IECEx Exe approved. (2 glands and 1 plug included) |
| E | eurofast® male connector (1 plug included) |
| M | minifast® male connector (1 plug included) |

Antenna

| Code | Description |
|-------------------|---|
| G1 | LPG/LNG (liquefied gas) still-pipe antenna (with integrated ball-valve, without pressure transmitter) |
| G2 ⁽¹⁾ | LPG/LNG (liquefied gas) still-pipe antenna (with integrated ball-valve and pressure transmitter) |

(1) Requires Hazardous location certification code I1, I2, I5, I6, I7, IP, I4, or IM.

Related information

[Rosemount 5900C with LPG/LNG antenna](#)

Antenna size

| Code | Description |
|------|---------------------------------------|
| A | 4 in. Schedule 10, Ø=107 mm (4.2 in.) |
| B | 4 in. Schedule 40, Ø=101 mm (4.0 in.) |
| D | DN 100, Ø=99 mm (3.9 in.) |

Antenna material

| Code | Description |
|------|---|
| S | SST AISI 316/316L and SST EN1.4401/1.4404 |

Tank seal

| Code | Description |
|------|--------------|
| PT | PTFE sealing |

Tank connection

| Code | Description |
|---|-------------------|
| ANSI Flanges (SST AISI 316/316 L) – Raised Face | |
| 1B ⁽¹⁾ | 1.5 in. Class 300 |
| 2A ⁽¹⁾ | 2 in. Class 150 |
| 2B ⁽¹⁾ | 2 in. Class 300 |
| 3A ⁽¹⁾ | 3 in. Class 150 |
| 3B ⁽¹⁾ | 3 in. Class 300 |
| 4A | 4 in. Class 150 |
| 4B | 4 in. Class 300 |
| 6A | 6 in. Class 150 |
| 6B | 6 in. Class 300 |
| 8A | 8 in. Class 150 |
| 8B | 8 in. Class 300 |
| EN Hole Pattern (SST EN 1.4404) – Raised Face B1 | |
| NA | DN 100 PN40 |
| OA | DN 150 PN40 |
| PA | DN 200 PN25 |
| PB | DN 200 PN40 |

(1) Requires Antenna size code A.

Antenna options

| Code | Description |
|------|---|
| V | Measurement verification kit with 1 verification pin and 1 pipe end deflector kit |

Additional options**Safety certificate**

Requires Safety certification (SIS) code S.

| Code | Description |
|------|---|
| QT | IEC 61508 certificate and FMEDA-data (printed copy) |

Calibration certificate

| Code | Description |
|------|--|
| Q4 | Calibration certificate (tank height up to 30 m (100 ft), printed copy) |
| QL | Calibration certificate 40 m (tank height up to 40 m (130 ft), printed copy) |

Material traceability certificate

Not available for transmitter head sparepart.

| Code | Description |
|------|--|
| Q8 | Antenna material traceability certification per EN 10204 3.1 |

Overfill protection approval

| Code | Description |
|-------------------|---|
| U1 ⁽¹⁾ | TÜV/DIBt WHG approval for overfill protection |
| U2 | SVTI approval for overfill protection (Switzerland) |

(1) Requires one or more relay outputs in the Rosemount 2410 Tank Hub.

Tag plate

| Code | Description |
|------|--|
| ST | Engraved SST tag plate (tag shall be submitted with order) |

Hydrostatic pressure test

| Code | Description |
|------|--------------------------------------|
| P1 | Antenna hydrostatic pressure testing |

Extended product warranty

Rosemount extended warranties have a limited warranty of three or five years from date of shipment.

| Code | Description |
|------|-------------------------|
| WR3 | 3-year limited warranty |
| WR5 | 5-year limited warranty |

Rosemount 5900C Radar Level Gauge with 1- and 2-in. still-pipe antenna

The 1- and 2-in. still-pipe gauges are suitable for clean liquids only and can be delivered complete with still-pipe, deflection plate, and fittings without any need for welding.

[VIEW PRODUCT >](#)

Required model components

Model

| Code | Description |
|-------|-------------------|
| 5900C | Radar Level Gauge |

Performance class

| Code | Description |
|------|--------------------------------------|
| 2 | ±2 mm (0.08 in.) instrument accuracy |

Safety certification (SIS)

| Code | Description |
|------------------|---|
| S ⁽¹⁾ | Certified IEC 61508 SIL 2 capable |
| F | None. Ready for upgrade to Safety certification (SIS) |
| 0 | None |

(1) Requires Rosemount 2410 with either Analog output 4-20 mA or Relay output code 1 or 2.

Redundancy

| Code | Description |
|------|--|
| 1 | None. Single radar level gauge electronics |

Tankbus: Power and communication

| Code | Description |
|------|---|
| F | Bus powered 2-wire FOUNDATION™ Fieldbus (IEC 61158) |

Hazardous location certification

| Code | Description |
|------|-----------------------------------|
| I1 | ATEX/UKEX Intrinsic Safety |
| I7 | IECEx Intrinsic Safety |
| I5 | FM-US Intrinsic Safety |
| I6 | FM-Canada Intrinsic Safety |
| I2 | INMETRO Intrinsic Safety (Brazil) |
| IP | KC Intrinsic Safety (South Korea) |

| Code | Description |
|-------------------|--|
| IW | CCOE/PESO Intrinsic Safety (India) |
| I4 ⁽¹⁾ | Japan Intrinsic Safety |
| IM | Technical Regulations Customs Union (EAC) Intrinsic Safety |
| NA | None |

(1) Not available with Cable entry/Conduit connections code E or M.

Custody transfer type approval

| Code | Description |
|------|-------------|
| 0 | None |

Level measurement method

| Code | Description |
|------|--|
| 1 | 10 GHz FMCW radar technology |
| 2 | 10 GHz FMCW radar technology for US/Russian installation |

Housing

| Code | Description |
|------|---|
| A | Standard enclosure, polyurethane-covered aluminum. IP 66/67 |

Cable entry/Conduit connections

| Code | Description |
|------|--|
| 1 | ½ - 14 NPT, female thread. (1 plug included) |
| 2 | M20 x 1.5 adapters, female thread. (2 adapters and 1 plug included) |
| G | Metal cable glands (½ - 14 NPT). Minimum temperature -20 °C (-4 °F). ATEX/IECEx Exe approved. (2 glands and 1 plug included) |
| E | eurofast® male connector (1 plug included) |
| M | minifast® male connector (1 plug included) |

Antenna

| Code | Description |
|-------------------|---|
| 11 ⁽¹⁾ | Still-pipe 1-in. antenna (deflector plate included) |
| 12 | Still-pipe 2-in. antenna (deflector plate included) |

(1) Antenna and still-pipe 3000 mm included.

Antenna plate

| Code | Description | Antenna |
|------|---------------------|--------------|
| 2 | 2 in./DN 50 plate | 1-in. |
| 0 | 2 ½-in./DN 65 plate | 1-in. |
| 3 | 3-in./DN 80 plate | 1-in., 2-in. |
| 4 | 4-in./DN 100 plate | 1-in., 2-in. |
| 6 | 6-in./DN 150 plate | 2-in. |
| 8 | 6-in./DN 200 plate | 2-in. |

Antenna material

| Code | Description | Antenna |
|------|------------------------------------|--------------|
| S | SST AISI 316L/EN 1.4436 | 1-in., 2-in. |
| X | Customer-specific, consult factory | 1-in. |

Tank seal

| Code | Description |
|------|---|
| PV | PTFE with Viton fluoroelastomer O-rings |
| PK | PTFE with Kalrez perfluoroelastomer O-rings |
| QV | Quartz with Viton fluoroelastomer O-rings |
| QK | Quartz with Kalrez perfluoroelastomer O-rings |

Tank connection

| Code | Description | Antenna |
|---|-----------------|--------------|
| ANSI flanges (SST AISI 316/316 L) - flat face | | Antenna |
| 2A | 2 in. Class 150 | 1-in. |
| 2B | 2 in. Class 300 | 1-in. |
| 3A | 3 in. Class 150 | 1-in., 2-in. |
| 3B | 3 in. Class 300 | 1-in., 2-in. |
| 4A | 4 in. Class 150 | 1-in., 2-in. |
| 4B | 4 in. Class 300 | 1-in., 2-in. |
| 6A | 6 in. Class 150 | 2-in. |
| 8A | 8 in. Class 150 | 2-in. |
| EN flanges (SST EN 1.4404) - flat face | | Antenna |
| HB | DN 50 PN40 | 1-in. |
| IA | DN 80 PN16 | 1-in., 2-in. |
| IB | DN 80 PN40 | 1-in., 2-in. |
| JA | DN 100 PN16 | 1-in., 2-in. |

| Code | Description | |
|-------|------------------------------------|--------------|
| JB | DN 100 PN40 | 1-in., 2-in. |
| KA | DN 150 PN16 | 2-in. |
| LA | DN 200 PN16 | 2-in. |
| Other | | Antenna |
| 00 | None | 1-in., 2-in. |
| XX | Customer specific, consult factory | 2-in. |

Antenna options

| Code | Description | Antenna |
|------|------------------------------------|--------------|
| 0 | None (excluding still-pipe) | 2-in. |
| 1 | Still-pipe, length 3.0 m (9.8 ft) | 1-in., 2-in. |
| 2 | Still-pipe, length 6.0 m (19.7 ft) | 2-in. |
| 3 | Still-pipe, length 9.0 m (29.5 ft) | 2-in. |
| 4 | Still-pipe, length 12 m (39.4 ft) | 2-in. |
| X | Customer specific, consult factory | 1-in. |

Additional options

Safety certificate

Requires Safety certification (SIS) code S.

| Code | Description |
|------|---|
| QT | IEC 61508 certificate and FMEDA-data (printed copy) |

Calibration certificate

| Code | Description |
|------|--|
| Q4 | Calibration certificate (printed copy) |

Material traceability certificate

Not available for transmitter head sparepart.

| Code | Description |
|------|--|
| Q8 | Antenna material traceability certification per EN 10204 3.1 |

Overfill protection approval

| Code | Description |
|-------------------|---|
| U1 ⁽¹⁾ | TÜV/DIBt WHG approval for overfill protection |
| U2 | SVTI approval for overfill protection (Switzerland) |

⁽¹⁾ Requires one or more relay outputs in the Rosemount 2410 Tank Hub.

Tag plate

| Code | Description |
|-------------|--|
| ST | Engraved SST tag plate (tag shall be submitted with order) |

Extended product warranty

Rosemount extended warranties have a limited warranty of three or five years from date of shipment.

| Code | Description |
|-------------|-------------------------|
| WR3 | 3-year limited warranty |
| WR5 | 5-year limited warranty |

Specifications

General

Instrument accuracy

Parabolic, Still-pipe array, and LPG/LNG antennas ± 1 mm (0.04 in.)

Cone, and 1-in./2-in. still-pipe antennas ± 2 mm (0.08 in.)

Instrument accuracy is under reference conditions. Reference conditions are: Measurement in test bench at Rosemount Tank Radar AB in Mölnlycke Sweden. Test bench is calibrated minimum yearly by an accredited laboratory: RISE Research Institutes of Sweden. Measuring range is up to 40 m (130 ft). Ambient temperature and humidity is close to constant during tests. Total uncertainty in test bench is below 0.15 mm (0.006 in.).

Temperature stability

Typically $< \pm 0.5$ mm (0.020 in.) in -40 to $+70$ °C (-40 to $+158$ °F)

Fieldbus (standard)

FOUNDATION™ Fieldbus FISCO (Tankbus)

Update time

New measurement every 0.3 s

Repeatability

0.2 mm (0.008 in.)

Maximum level rate

Up to 200 mm/s

Metrology sealing possibility

Yes

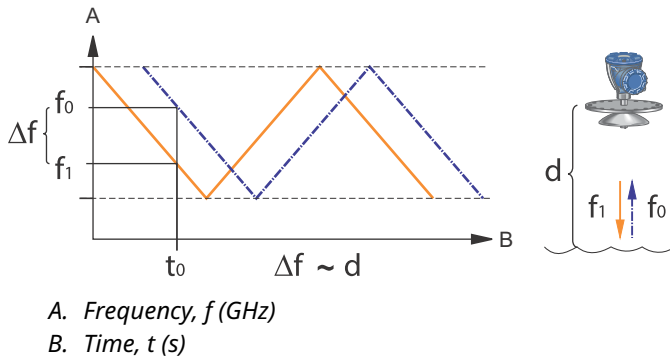
Installation considerations

See Rosemount 5900C [Reference Manual](#)

Measurement principle

The FMCW-method (Frequency Modulated Continuous Wave) means that the transmitted radar signal has a linear frequency variation around 10 GHz. The reflection from the liquid surface has a slightly different frequency compared with the signal transmitted from the antenna when the reflection is received. The difference in frequency is directly proportional to the distance between the antenna and the liquid surface, and thereby also the liquid level. This technology enables a very accurate and stable measured value.

Figure 3: Principle of FMCW Technology



Communication/Display/Configuration

Output variables and units

- Level, and ullage: meter, centimeter, millimeter, feet, or inch
- Level rate: meter/second, meter/hour, feet/second, feet/hour, inch/minute
- Signal strength: mV

Configuration tools

Rosemount TankMaster WinSetup, Field Communicator

FOUNDATION™ Fieldbus characteristics

Polarity sensitive

No

Quiescent current draw

51 mA

Lift-off minimum voltage

9.0 VDC

Device capacitance/inductance

See [Product certifications](#)

Class (Basic or Link Master)

Link Master (LAS)

Number of available VCRs

Maximum 20, including one fixed

Links

Maximum 40

Minimum slot time/maximum response delay/minimum intermessage delay

8/5/8

Blocks and Execution time

Table 1: Execution Time

| Block | Execution time |
|--|----------------|
| 1 Resource block | N/A |
| 5 Transducer blocks (Level, Register, Adv_Config, Volume, and LPG) | N/A |
| 6 Analog Input (AI) | 10 ms |
| 2 Analog Output (AO) | 10 ms |
| 1 Proportional/Integral/Derivate (PID) | 15 ms |
| 1 Signal Characterizer (SGCR) | 10 ms |
| 1 Integrator (INT) | 10 ms |
| 1 Arithmetic (ARTH) | 10 ms |
| 1 Input Selector (ISEL) | 10 ms |
| 1 Control Selector (CS) | 10 ms |
| 1 Output Splitter (OS) | 10 ms |

For more information, see the FOUNDATION Fieldbus Blocks [Manual](#).

Instantiation

Yes

Conforming FOUNDATION Fieldbus

ITK 6

Field Diagnostics support

Yes

Action support wizards

Restart measurement, write protect device, factory reset - measurement configuration, start/stop device simulation, set as surface, reset statistics, change all modes, register/remove false echo, refresh echo peaks, pin verification, change vapor pressure, change vapor temperature.

Advanced diagnostics

Software, memory/database, electronics, internal communication, simulation, level correction, level measurement, ambient temperature, vapor pressure/temperature correction, LPG verification pin, and manual measurement values.

Electric

Tankbus cabling

0.5-1.5 mm² (AWG 22-16), twisted shielded pairs

Power supply

FISCO: 9.0 - 17.5 VDC polarity insensitive (for example from Rosemount 2410 Tank Hub)

Entity: 9.0 - 30.0 VDC polarity insensitive

Bus current draw

50 mA

Microwave output power

< 1 mW

Built-in Tankbus terminator

Yes (to be connected if required)

Daisy chain possibility

Yes

Mechanical

Housing material & surface treatment

Polyurethane-coated die-cast aluminum

Cable entry (connection/glands)

Two ½ - 14 NPT entries for cable glands or conduits. One metal plug to seal any unused port is enclosed in the transmitter delivery.

Optional:

- M20 x 1.5 conduit/cable adapter
- Cable glands in metal (½ - 14 NPT)
- 4-pin male eurofast connector or A size Mini 4-pin male minifast connector

Total weight

Table 2: Weight of Transmitter Head

| Transmitter head | Weight |
|----------------------------------|-------------------|
| Rosemount 5900C transmitter head | 5.1 kg (11.2 lbs) |

Table 3: Weight With Antenna

| Transmitter head with antenna | Weight |
|---|------------------------------|
| Rosemount 5900C with cone antenna | Appr. 12 kg (26 lbs) |
| Rosemount 5900C with parabolic antenna | Appr. 17 kg (37 lbs) |
| Rosemount 5900C with still-pipe array antenna | Appr. 13.5-24 kg (30-53 lbs) |
| Rosemount 5900C with LPG/LNG antenna, 6-in. 150 psi | Appr. 30 kg (66 lbs) |
| Rosemount 5900C with LPG/LNG antenna, 6-in. 300 psi | Appr. 40 kg (88 lbs) |

Antennas

The Rosemount 5900C antennas have a drip-off design which for some versions also include inclined polished PTFE surfaces. Condensation on the antenna is minimized, and the radar signal remains strong. This results in maintenance free operation, high accuracy and reliability. There is always a suitable antenna for every tank type, tank opening and application:

- Parabolic
- Cone
- Still-pipe array
- LPG/LNG
- 1-in./2-in. still-pipe

Transmitter head

The same transmitter head is used for all Rosemount 5900C antenna types, minimizing spare part requirements:

- The dual compartment transmitter housing, with electronics and cabling separated, can be replaced without opening the tank
- It is protected against lightning, moisture/rain, and has a surface protection against sulphur and salt spray atmospheres
- Electronics consists of one encapsulated unit.
- No need for re-calibration

Environment

Ambient operating temperature

-40 to +70 °C (-40 to +158 °F). Minimum start-up temperature is -50 °C (-58 °F)

Storage temperature

-50 to +85 °C (-58 to +185 °F)

Humidity

0-100% relative humidity

Ingress protection

IP 66/67 and NEMA® 4X

Vibration resistance

IEC 60770-1 level 1 and IACS UR E10 test 7

Telecommunication

Compliance with:

- FCC 15B Class A, and 15C
- RED (EU directive 2014/53/EU) ETSI EN 302372; EN 50371
- IC (RSS210-5)

Electromagnetic compatibility

- EMC (EU directive 2014/30/EU) EN 61326-1; EN 61326-3-1
- OIML R85:2008

Transient / built-in lightning protection

According to IEC 61000-4-5, level 2 kV line to ground. Complies with IEEE 587 Category B transient protection and IEEE 472 surge protection.

Low Voltage Directive (LVD)

LVD (EU directive 2014/35/EU) EN/IEC 61010-1

Rosemount 5900C with parabolic antenna

Operating temperature in tank

Maximum +180 °C (+356 °F) with FEP O-ring, or +230 °C (+445 °F) with Kalrez® O-ring

Measuring range

0.8 to 40 m (2.6 to 130 ft) below flange

Possibility to measure 0.5 to 50 m (1.6 to 164 ft). Accuracy may be reduced. For longer measuring range, consult your local representative.

Pressure range

Clamped/threaded: -0.2 to 0.2 bar (-2.9 to 2.9 psig)

Welded: -0.2 to 10 bar (-2.9 to 145 psig)

Material exposed to tank atmosphere

Antenna: Material corresponds to AISI 316/316L and EN 1.4401 /1.4404

Sealing: PTFE

O-ring: FEP, or Kalrez®

Antenna dimension

440 mm (17 in.)

Manway size and installation

500 mm (20-in.) opening.

The parabolic antenna is installed on the manway cover by using the flange ball. It is designed for easy adjustment of the antenna inclination and orientation within the specified limits.

The flexible flange ball can be installed on both horizontal or inclined manways without any special arrangements.

Tank connection

The gauge is clamped in a 96-mm (3.78-in.) diameter hole, or welded in a 117-mm (4.61-in.) diameter hole.

Rosemount 5900C with cone antenna

Operating temperature in tank

Max. +180 °C (+356 °F) with Viton® O-ring, or +230 °C (+445 °F) with Kalrez® O-ring

Measuring range, accuracy, and cone dimensions

When selecting cone antenna dimension, it is generally recommended to use as large antenna diameter as possible. Standard cone antennas are available for 4-, 6- and 8-in. tank openings. The 4- and 6-in. cones can be extended to fit long tank nozzles.

Level accuracy is up to ±2 mm (0.08 in.) for 8-in. cone antennas. For 4- and 6-in. cone antennas accuracy depends on installation conditions.

Measuring range

8-in. Cone: 0,8 to 20 m (2.6 to 65 ft) below flange. (Possibility to measure 0,4 to 30 m (1.3 to 100 ft). Accuracy may be reduced.)

6-in. Cone: 0.8 to 20 m (2.6 to 65 ft) below flange. (Possibility to measure 0.3 to 25 m (1 to 80 ft). Accuracy may be reduced.)

4-in. Cone: 0.8 to 15 m (2.6 to 50 ft) below flange. (Possibility to measure 0.2 to 20 m (0.7 to 65 ft). Accuracy may be reduced.)

Material exposed to tank atmosphere

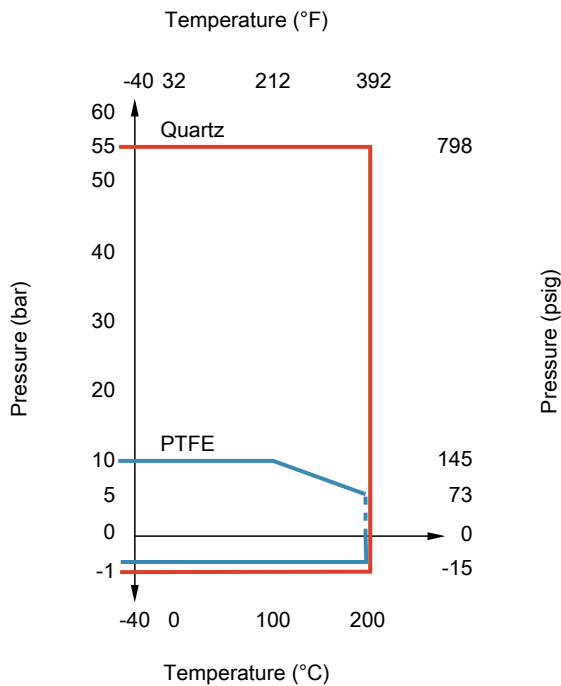
Antenna: SST AISI 316L/EN 1.4436

Sealing: PTFE, or Quartz

O-ring: Viton®, or Kalrez®

Pressure/temperature rating

Figure 4: Temperature and Maximum Pressure Relation



Rosemount 5900C with still-pipe array antenna

Operating temperature in tank

-40 to 120 °C (-40 to 248 °F)

Measuring range

0.8 to 40 m (2.6 to 130 ft) below flange

The minimum range can be extended to 0.5 m (1.6 ft) with slightly reduced accuracy. For longer measuring range, consult your local representative.

Pressure range

Fixed version: -0.2 to 2 bar (-2.9 to 29 psig) at 20 °C (68 °F).

Hinged hatch version: -0.2 to 0.5 bar (-2.9 to 7.2 psig) for 5 to 8-in. pipes.

-0.2 to 0.25 bar (-2.9 to 3.6 psig) for 10 and 12-in. pipes.

Material exposed to tank atmosphere

Antenna: Polyphenylenesulphide (PPS)

Sealing: PTFE

O-ring: FMVQ

Flange: Material corresponds to AISI 316/316L and EN 1.4401 /1.4404

Still-pipe dimensions

5-, 6-, 8-, 10- or 12 in.

Tank connection

5 in. hole pattern according to ANSI 5 in. Class 150

6 in. hole pattern according to ANSI 6 in. Class 150 / DN 150 PN 16

8 in. hole pattern according to ANSI 8 in. Class 150 / DN 200 PN 10

10 in. hole pattern according to ANSI 10 in. Class 150 / DN 250 PN 16

12 in. hole pattern according to ANSI 12 in. Class 150

Rosemount 5900C with LPG/LNG antenna

Operating temperature at ball valve

-55 to 90 °C (-67 to 194 °F)

Operating temperature in tank

-170 to 90 °C (-274 to 194 °F)

Measuring range

1.2 to 40 m (3.9 to 130 ft) below flange

Possibility to measure 0.8 to 60 m (2.6 to 200 ft). Accuracy may be reduced. For longer measuring range, consult your local representative.

Pressure range

-1 to 25 bar (-14.5 to 365 psig).

Note! Flanges may have higher pressure rating than 25 bar, but maximum tank pressure is still 25 bar.

Pressure sensor (option)

Rosemount 2051, pressure sensor range 0-55 bar. For other pressure range contact factory. Rosemount 2051 is available with various hazardous location certifications, see [Product certifications](#).

For more information see the Rosemount 2051 [Product Data Sheet](#).

Material exposed to tank atmosphere

Antenna and flange: Material corresponds to AISI 316/316L and EN 1.4401 /1.4404

Sealing: PTFE

Still-pipe dimension compatibility

Antenna choices for 4-in. sch. 10, 4-in. sch 40, or 100 mm (99 mm inner diameter) still-pipe dimensions

Flange size and rating

1.5 in. Class 300

2 in. Class 150/300

3 in. Class 150/300

4 in. Class 150/300

6 in. Class 150/300

8 in. Class 150/300

DN 100 PN40

DN 150 PN40

DN 200 PN25

DN 200 PN40

Pressure seal

The pressure seal includes a double-block function, consisting of a PTFE seal and a fire-proof ball valve. A pressure sensor enables correction due to vapor for best measurement performance.

Verification possibility

A patented reference device function enables measurement verification with the tank in service. A verification pin mounted in a still-pipe hole, and a deflection plate with a verification ring at the lower still-pipe end provide reference echoes at fixed pre-defined distances.

Rosemount with 1- and 2-in. still-pipe antennas

Operating temperature in tank

Max. +180 °C (+356 °F) with Viton® O-ring, or +230 °C (+445 °F) with Kalrez® O-ring

Measuring range

1-in. still-pipe antenna: 0.2 to 3 m (0.7 to 9.8 ft.) below flange.

2-in. still-pipe antenna: 0.2 to 12 m (0.7 to 39 ft.) below flange.

(Possibility to measure longer ranges. For more information, contact your local Emerson representative.)

Material exposed to tank atmosphere

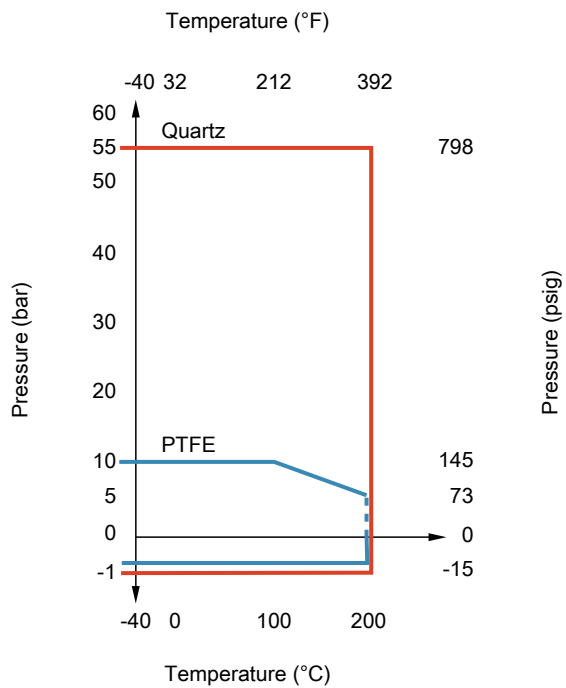
Antenna: SST 316L

Sealing: PTFE, or Quartz

O-ring: Viton®, or Kalrez®

Pressure/temperature rating

Figure 5: Temperature and Maximum Pressure Relation

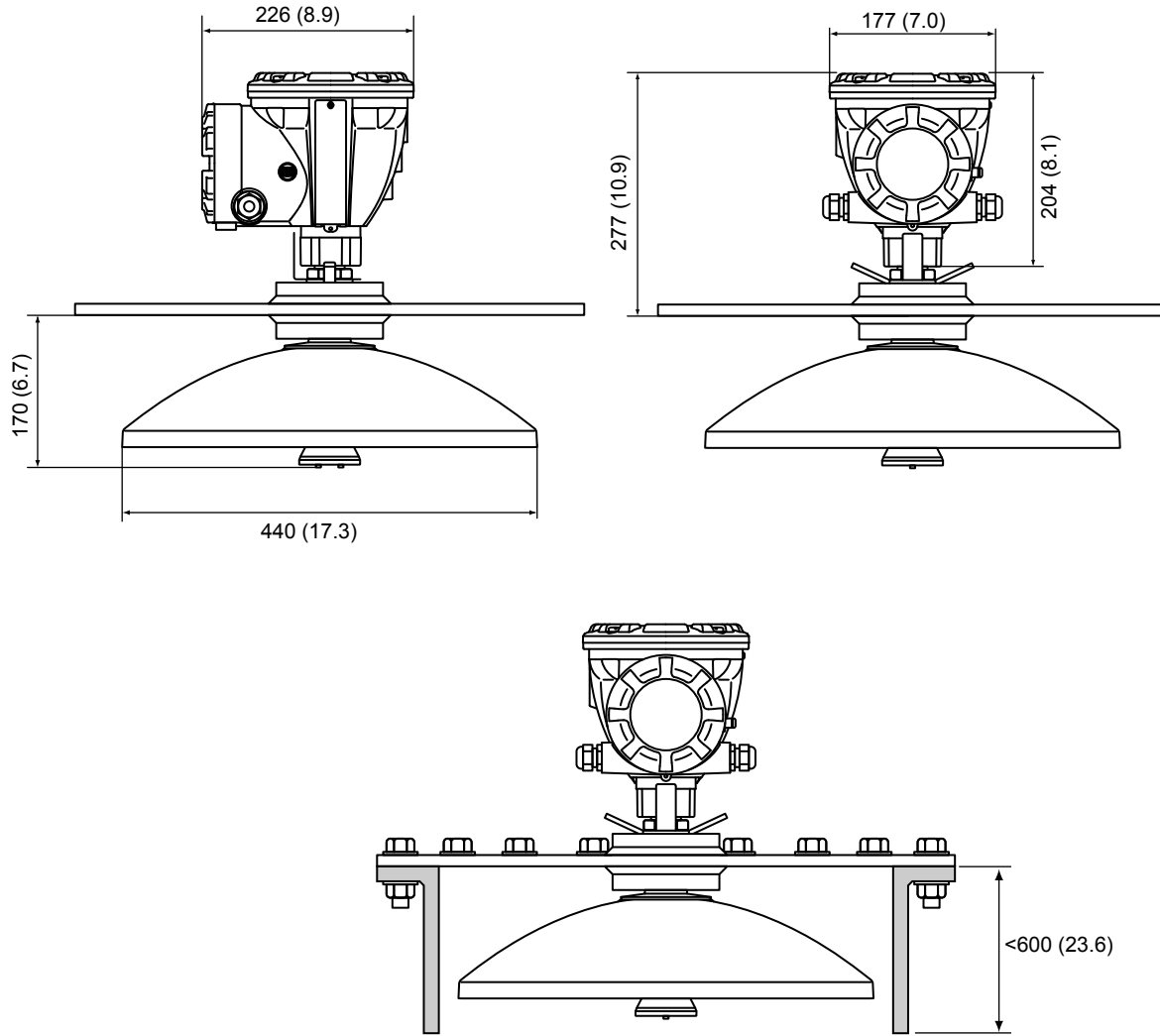


Product certifications

See the Rosemount 5900C [Product Certifications](#) document for detailed information on the existing approvals and certifications.

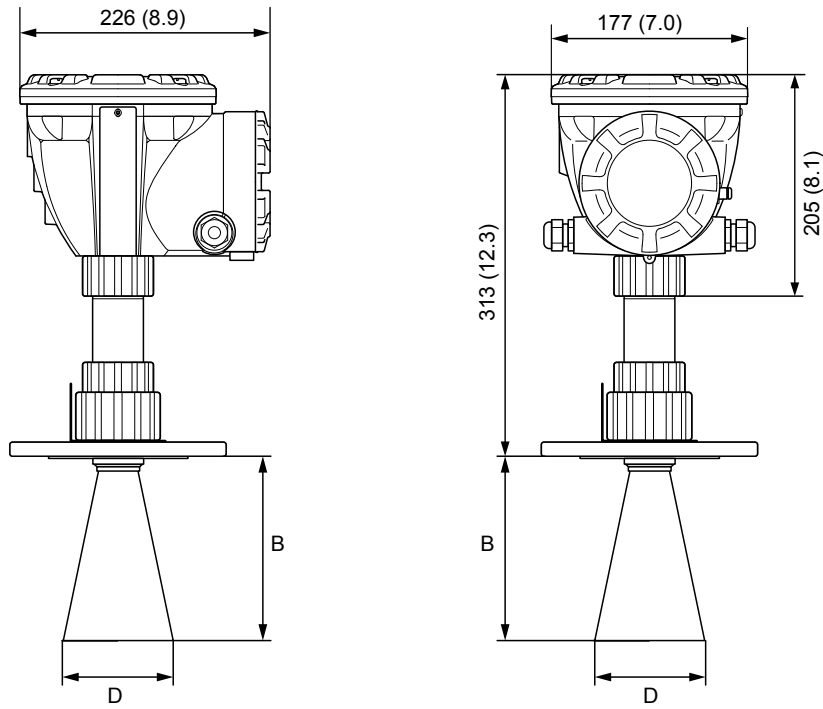
Dimensional drawings

Figure 6: Dimensions of Rosemount 5900C with Parabolic Antenna



Dimensions are in millimeters (inches).

Figure 7: Dimensions of Rosemount 5900C with Cone Antenna

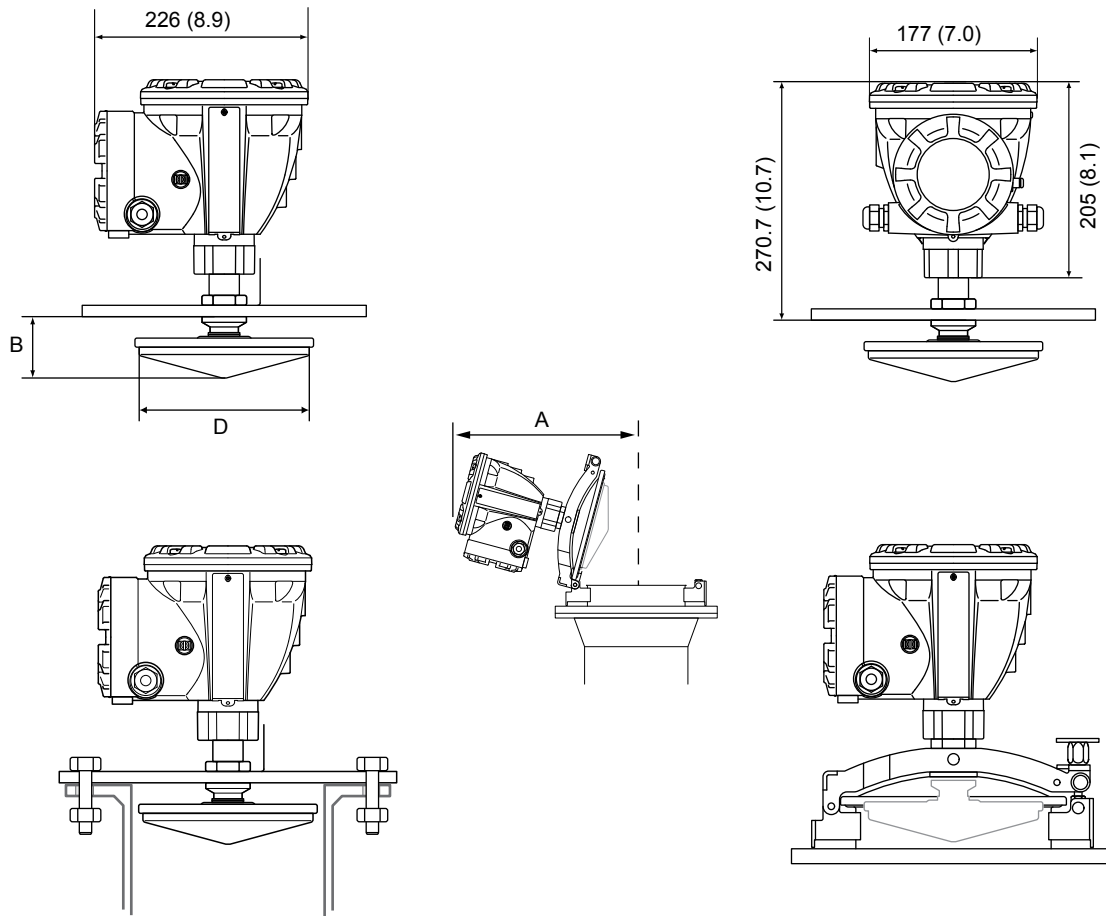


Dimensions are in millimeters (inches).

Table 4: Available Sizes for Cone Antenna

| Antenna size | D | B |
|---------------|-----------|------------|
| 4 in. / DN100 | 93 (3.7) | 150 (5.9) |
| 6 in. / DN150 | 141 (5.6) | 250 (10.2) |
| 8 in. / DN200 | 189 (7.4) | 370 (14.6) |

Figure 8: Dimensions of Rosemount 5900C with Still-Pipe Array Antenna

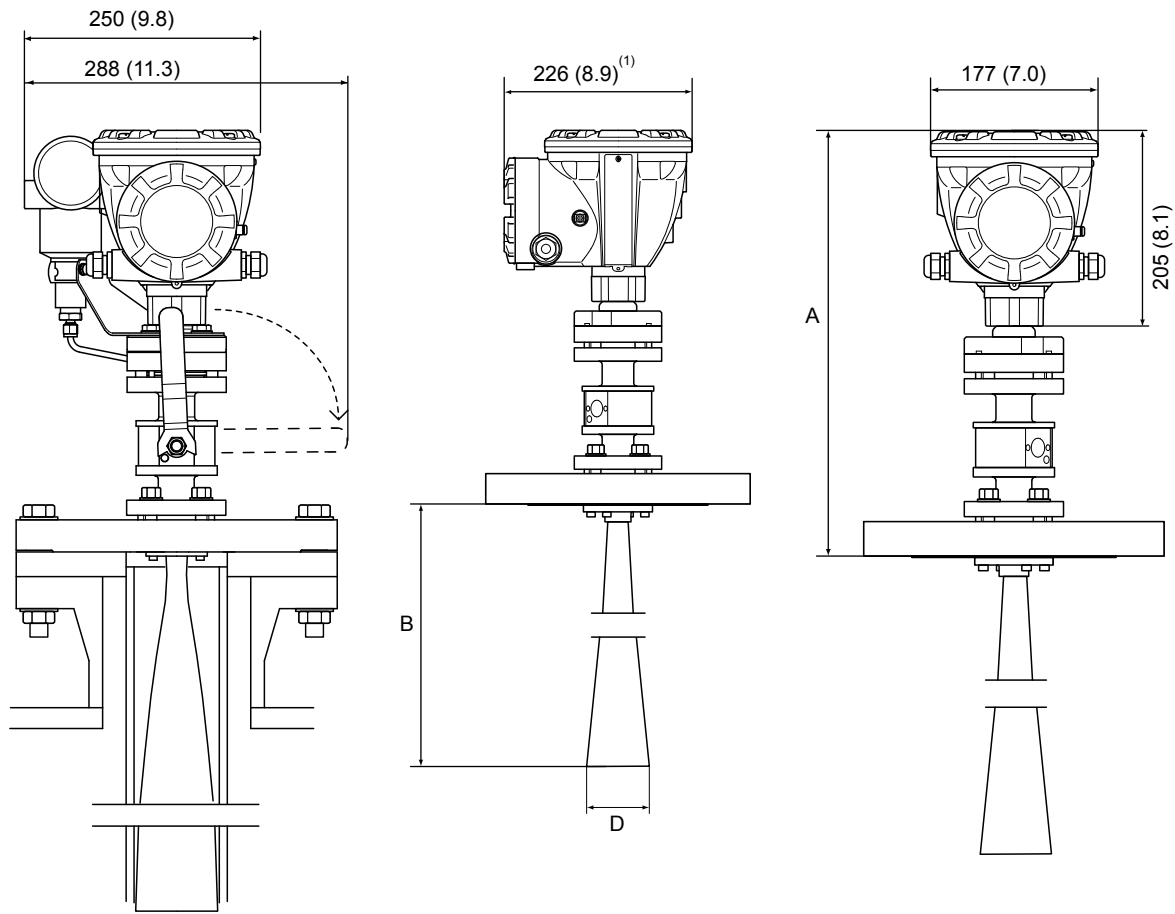


Dimensions are in millimeters (inches).

Table 5: Available sizes for Still-Pipe Array Antenna

| Antenna size | D | B | A |
|----------------|------------|----------|------------|
| 5 in. / DN125 | 120 (4.7) | 56 (2.2) | 431 (17.0) |
| 6 in. / DN150 | 145 (5.7) | 59 (2.3) | 431 (17.0) |
| 8 in. / DN200 | 189 (7.4) | 65 (2.6) | 441 (17.4) |
| 10 in. / DN250 | 243 (9.6) | 73 (2.9) | 450 (17.7) |
| 12 in. / DN300 | 293 (11.5) | 79 (3.1) | 450 (17.7) |

Figure 9: Dimensions of Rosemount 5900C with LPG/LNG Still-Pipe Antenna



A. Approximately 452 (17.8), depending on flange type

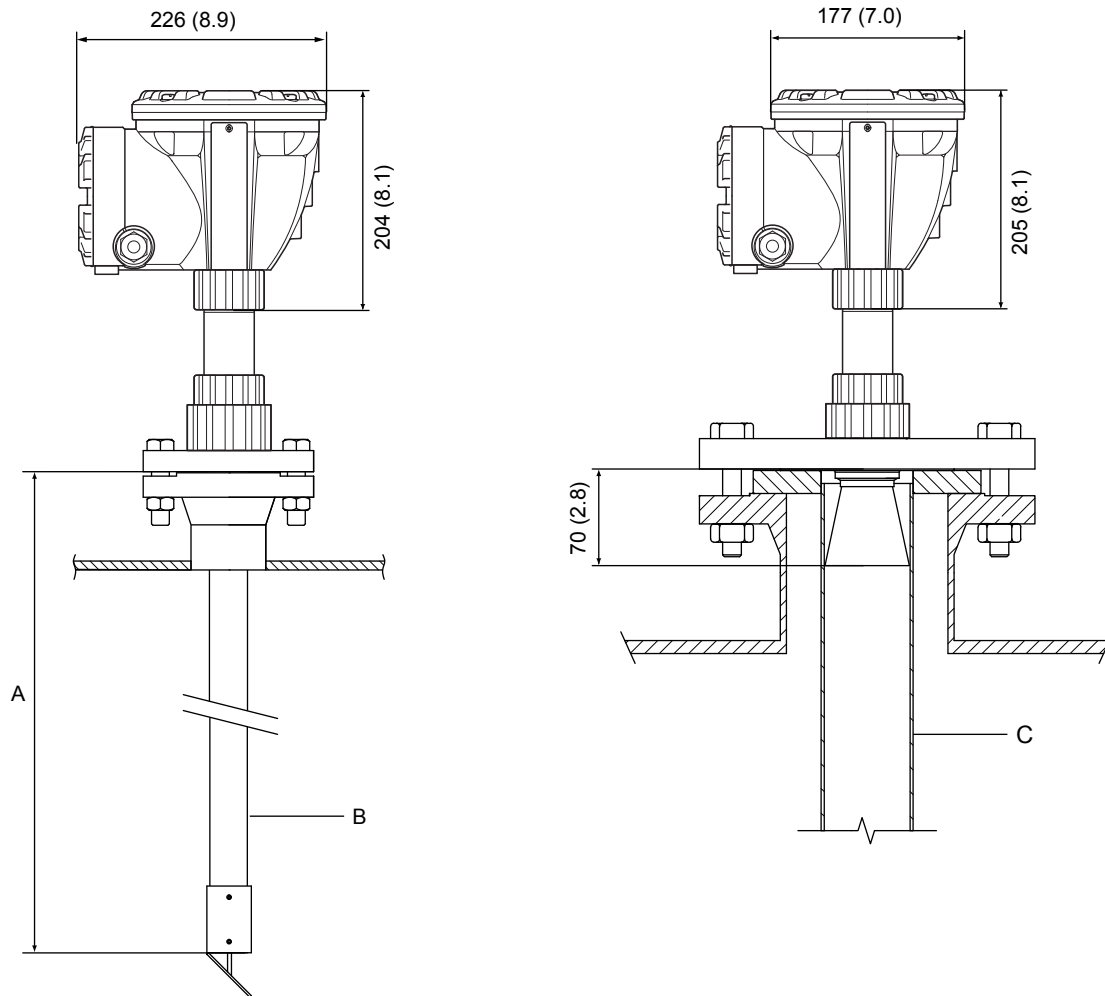
1. 302 (11.9) with pressure transmitter

Dimensions are in millimeters (inches).

Table 6: Available sizes for LPG/LNG Still-Pipe antenna

| Antenna size | D | B (mm) |
|--------------|-----------|------------|
| 4 in. Sch10 | 107 (4.2) | 752 (29.6) |
| 4 in. Sch40 | 101 (4.0) | 534 (21.0) |
| DN100 | 99 (3.9) | 502 (19.8) |

Figure 10: Dimensions of Rosemount 5900C with 1- and 2-in. Antenna



- A. Standard length 3000 (118.1)
- B. 1-in. still-pipe antenna
- C. 2-in. still-pipe antenna

Dimensions are in millimeters (inches).

©2022 Emerson. All rights reserved.

Emerson Terms and Conditions of Sale are available upon request. The Emerson logo is a trademark and service mark of Emerson Electric Co. Rosemount is a mark of one of the Emerson family of companies. All other marks are the property of their respective owners.

ROSEMOUNT™

