

Data Sheet

C-600B Duratemp® Thermometer

FEATURES

- Extreme resistance to shock and vibration
- Exclusive movementless design eliminates wear and increases product life
- Maxivision® dial for precise readings (minimize parallax reading errors)
- All SS case, stem and Everyangle™ harness
- Gas-operated molecular sieve
- Custom Dials

TYPICAL USES

- Offshore oil rigs
- Chemical and petrochemical plants
- Water and wastewater temperature control
- Pulp and paper
- Refineries
- Power
- General industrial
- Equipment skids
- HVAC
- Pharmaceutical / Biotech
- Food and beverage

SPECIFICATIONS

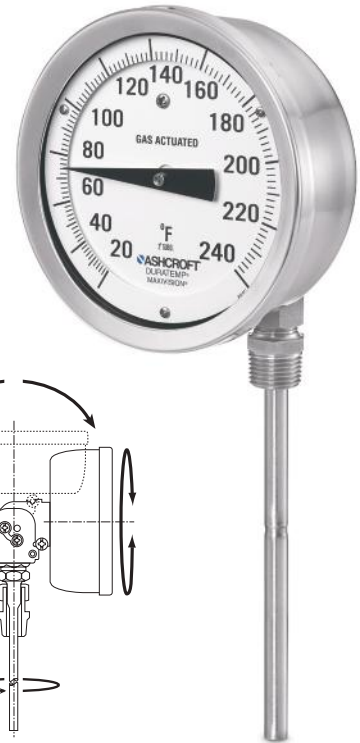
Accuracy:	±1% of span
Size:	4½"
Range:	-320°F/200°F to 400°F/1,200°F (-200°C/100°C to 200°C/650°C)
Over Range:	125% of span
Process Connection:	½ NPT Union
Mounting:	Direct mount
Stem Length:	6", 9", 12", 15", 18", 24", 30" or 36"
Stem Diameter:	0.375"
Dial:	Maxivision® linear anti-parallax dial, black markings on a white dial
Hand Set:	Stationary red hand set or Externally adjustable Red set hand
Pointer:	Black, aluminum

THERMAL SYSTEM

Connection Material	Stem
316 SS	316 SS

NON-WETTED COMPONENTS

Window	Case	Ring
Glass, safety glass or acrylic	304 SS	304 SS bayonet ring



The Everyangle™ Duratemp® thermometer may be rotated 360° for readability and the stem turned 180° for the most challenging installations.

C-600B
4½" dial size

KEY BENEFITS

- Impact-resistant SS case
- Bayonet ring for easy glass replacement or pointer adjustment
- Extremely versatile for use on many applications
- No elevation error
- 5 year limited warranty
- Ideal for extreme process temperatures

TEMPERATURE LIMITS

Version	Ambient
Dry	-13°F (-25°C) to 160°F (71°C)

Data Sheet

C-600B Duratemp® Thermometer

ORDERING CODE	Example:	C-600B	01	AB	-XSG
Direct Mount					
C-600B - 4½" Case size, SS bayonet ring, Everyangle™ connection		C-600B			
Stem Length					
01 - 6" Stem length "S" dimension			01		
02 - 9" Stem length "S" dimension					
03 - 12" Stem length "S" dimension					
04 - 15" Stem length "S" dimension					
05 - 18" Stem length "S" dimension					
06 - 24" Stem length "S" dimension					
07 - 30" Stem length "S" dimension					
08 - 36" Stem length "S" dimension					
Ranges (coding example, see range table below for all standard ranges)					
AB - -320°F/200°F (-200°C/100°C)				AB	
Options (If choosing an option(s) must include an "X")					
DM - Dial marking					-X _ _
EO - Externally adjustable red set hand					
EP - Externally adjustable maximum pointer					
EQ - Externally adjustable minimum pointer					
NH - SS tag					
NN - Paper tag					
PD - Acrylic window					
SG - Safety glass					SG
SH - Stationary red set hand					

NOTES

- Minimum recommended insertion length ("u" dimension) in liquids is 4 inches and in gases is 6 inches for standard 3/8" x 3" bulb.
- Thermowells must be used on any application where the bulb of the thermometer may be exposed to pressure, corrosive fluids, or velocity. Additionally, the use of a thermowell permits instrument interchangeability or recalibration without shutting down the process.
- When using a threaded thermowell in temperatures 750°F and above, a 3" lag is recommended.

SINGLE RANGES			
Range Code		Range Code	
AB	-320°F/200°F	AY	-200°C/100°C
AE	-100°F/100°F	BL	-80°C/40°C
AG	-40°F/180°F	BN	-40°C/80°C
AK	20°F/240°F	BS	0°C/120°C
AL	50°F/300°F	BT	10°C/150°C
AN	50°F/550°F	BU	0°C/300°C
AR	50°F/750°F	BW	0°C/400°C
AT	400°F/1,200°F	BJ	200°C/650°C

DUAL RANGES	
Range Code	
CE	0°C/120°C and 20°F/240°F
CF	0°C/300°C and 50°F/550°F
DR	10°C/150°C and 50°F/300°F
DT	-40°C/80°C and -40°F/180°F

Data Sheet

C-600B Duratemp® Thermometer

DIMENSIONS in [] are millimeters

For reference only, consult Ashcroft for specific dimensional drawings

Dial Size Inches	A	B	C	D	E	F	G	H
4½	4.72 [120]	2.06 [52]	5.10 [130]	3.08 [78]	4.22 [107]	3 [76]	1 [25]	0.38 [10]

