

Product data sheet

Specifications



Multi touch screen, Harmony iPC, S Panel PC Optimized SSD W10 DC Windows 10

HMIPSOS552D1801

Product availability : Stock - Normally stocked in distribution facility

Price* : 2,805.00 USD

Main

Range of Product	Harmony iPC
Product or Component Type	Multi-touch screen
Processor Name	Intel Atom E3827 dual core 1.75 GHz
Chipset type	Intel Atom SoC
Free slots	1 Internal SATA HDD/SSD 1 CFast
Display size	10.1 inch
Display colour	267000 colours
Luminance	27.87 fc (300 cd/m ²)
Pixel resolution	4096 x 4096
Video controller type	Intel HD Graphics
Operating system	Windows 10 IoT Enterprise 64 bit multi-language
Software package	EcoStruxure secure connect advisor annual subscription cyber security license not included EcoStruxure Operator Terminal Expert run time HMI license not included EcoStruxure Machine SCADA Expert run time HMI/SCADA on configured offer only EcoStruxure augmented operator advisor server augmented operator license not included

Complementary

Number of points	5
Terminal type	Touchscreen display
Memory type	4 GB RAM DDR3 internal
Data storage equipment	128 GB extension back side SSD 1500000 h
Aspect ratio	16:9
Display Type	Colour TFT LCD LED
Display Resolution	1280 x 800 pixels WSVGA
Backlight lifespan	50000 hours
View angle horizontal x vertical	160 x 160°
Touch panel	Projected capacitive technology (PCT)
Type of cooling	Fanless Passive

* Price is "List Price" and may be subject to a trade discount – check with your local distributor or retailer for actual price.

Watchdog timer	1...255 ms
Number of slots	1 mini PCI Express full-size
[Us] rated supply voltage	24 V DC +/- 20 % 100...240 V AC with additional adaptor HMIYPSOMAC1
Line Rated Current	1.9 A
Mechanical robustness	Hardness anti-scratch 7H
Local signalling	buzzer for on LED (green) for stand-by LED (orange)
Function available	Operate with water on screen
Width	11.15 in (283.1 mm)
Height	7.96 in (202.3 mm)
Depth	3.37 in (85.5 mm)
Cut-out dimensions	274.6 (+/- 0.7) x 193.8 (+/- 0.4)
Net Weight	5.51 lb(US) (2.5 kg) 10" wide multi-touch
Main type	Optimised

Environment

IP degree of protection	Front panel IP66
Product Certifications	AS/NZS C-tick CCC CE RCM EAC
Standards	UL 60950 CSA C22.2 No. 60950 FCC Part 15 class A CISPR 11 IEC 61000-6-4 IEC 61000-6-2 IEC 60950
Directives	2004/108/EC - electromagnetic compatibility 2006/95/EC - low voltage directive
Pollution degree	2
Ambient air temperature for operation	32...131 °F (0...55 °C) SSD 32...131 °F (0...55 °C) Cfast card 32...113 °F (0...45 °C) HDD 32...113 °F (0...45 °C) Mini PCIe
Ambient air temperature for storage	-4...140 °F (-20...60 °C)
Relative Humidity	10...95 % non-condensing
Operating altitude	2000
Vibration resistance	1 gn 5...500 Hz)HDD 2 gn 5...500 Hz)SSD 2 gn 5...500 Hz)Cfast card

Ordering and shipping details

Category	22575-MAGELIS MC3
Discount Schedule	MC3
GTIN	3606480853364
Returnability	No
Country of origin	US

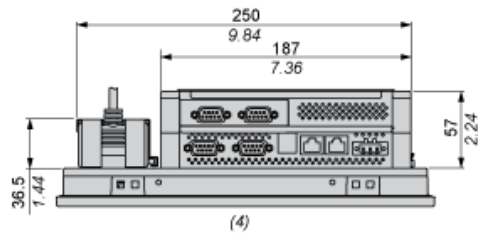
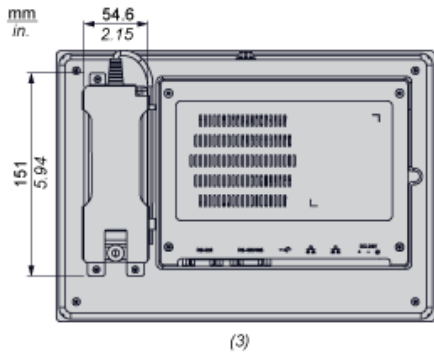
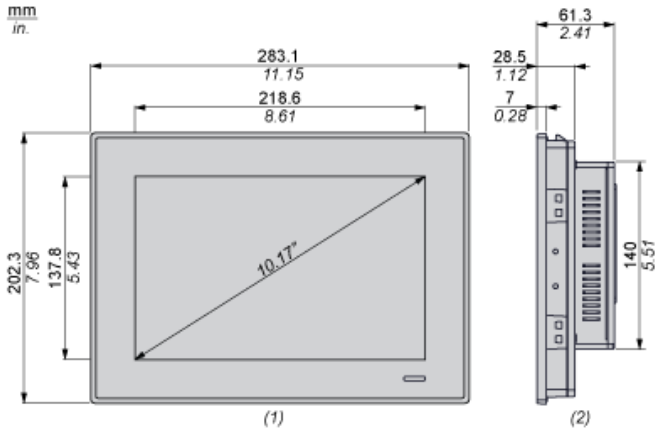
Packing Units

Unit Type of Package 1	PCE
Number of Units in Package 1	1
Package 1 Height	2.40 in (6.1 cm)
Package 1 Width	7.95 in (20.2 cm)
Package 1 Length	11.14 in (28.3 cm)
Package 1 Weight	5.73 lb(US) (2.6 kg)

Offer Sustainability

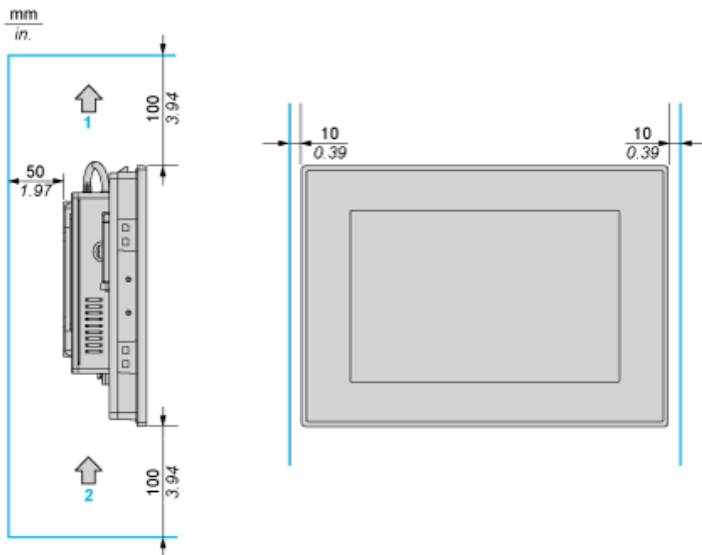
California proposition 65	WARNING: This product can expose you to chemicals including: Lead and lead compounds, which is known to the State of California to cause cancer and birth defects or other reproductive harm. For more information go to www.P65Warnings.ca.gov
EU RoHS Directive	Pro-active compliance (Product out of EU RoHS legal scope) EU RoHS Declaration
Mercury free	Yes
China RoHS Regulation	China RoHS declaration
RoHS exemption information	Yes
WEEE	The product must be disposed on European Union markets following specific waste collection and never end up in rubbish bins.

Dimensions



- (1) Front view
- (2) Right view
- (3) Back view
- (4) Bottom view

Spacing Requirements

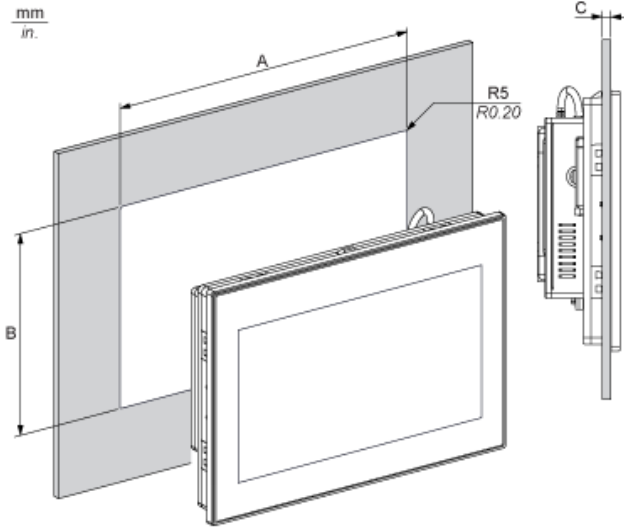


- 1 : Air out
- 2 : Air in

Mounting Orientation



Panel Cut Dimensions



A		B		C		R	
mm	in.	mm	in.	mm	in.	mm	in.
274.6	10.81	193.8	7.63	2...6	0.08...0.23	5	0.20

Recommended replacement(s)