

Product data sheet

Specifications



Multi touch screen, Harmony iPC, S Panel PC Optimized CFast W15 DC WES

HMIPSOC752D1W01

Main

Range of product	Harmony iPC
Product or component type	Multi-touch screen
Processor name	Intel Atom E3827 dual core at 1.75 GHz
Chipset type	Intel Atom SoC
Free slots	1 CFast
Display size	15.6 inch
Display colour	16777216 colors
Luminance	300 cd/m ²
Pixel resolution	4096 x 4096
Video controller type	Intel HD Graphics
Operating system	WES 7 Premium SP1 64-bit multi-language
Software package	EcoStruxure secure connect advisor annual subscription cyber security license not included EcoStruxure Operator Terminal Expert run time HMI license not included EcoStruxure Machine SCADA Expert run time HMI/SCADA on configured offer only EcoStruxure augmented operator advisor server augmented operator license not included

Complementary

Number of points	5
Terminal type	Touchscreen display
Memory type	4 GB RAM DDR3 internal
Data storage equipment	32 GB back side CFast card
Aspect ratio	16:9
Display type	LED Colour TFT LCD
Display resolution	1366 x 768 pixels WXGA
Backlight lifespan	50000 hours
View angle horizontal x vertical	150 x 140°
Touch panel	Projected capacitive technology (PCT)
Type of cooling	Passive Fanless
Watchdog timer	1...255 ms
[Us] rated supply voltage	24 V DC +/- 20 %

[In] rated current	1.7 A
Mechanical robustness	Hardness anti-scratch 7H
Local signalling	Buzzer LED (green) for on LED (orange) for stand-by
Function available	Operate with water on screen
Width	419.7 mm
Height	269 mm
Depth	61.9 mm
Cut-out dimensions	412.4 (+/- 0.7) x 261.7 (+/- 0.4)
Net weight	3.9 kg 15" wide multi-touch
Main type	Optimised

Environment

IP degree of protection	IP66 front panel:
Product certifications	RCM AS/NZS C-Tick CE CCC EAC
Standards	FCC part 15 class A IEC 61000-6-4 UL 60950 IEC 61000-6-2 IEC 60950 CISPR 11 CSA C22.2 No 60950
Directives	2006/95/EC - low voltage directive 2004/108/EC - electromagnetic compatibility
Pollution degree	2
Ambient air temperature for operation	0...55 °C SSD 0...55 °C Cfast card 0...45 °C HDD 0...45 °C Mini PCIe
Ambient air temperature for storage	-20...60 °C
Relative humidity	10...95 % non-condensing
Operating altitude	2000
Vibration resistance	1 gn (f = 5...500 Hz)HDD 2 gn (f = 5...500 Hz)SSD 2 gn (f = 5...500 Hz)Cfast card

Packing Units

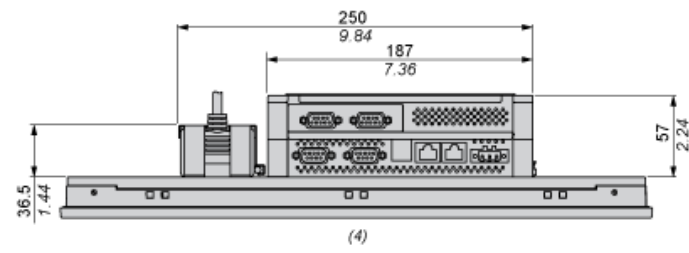
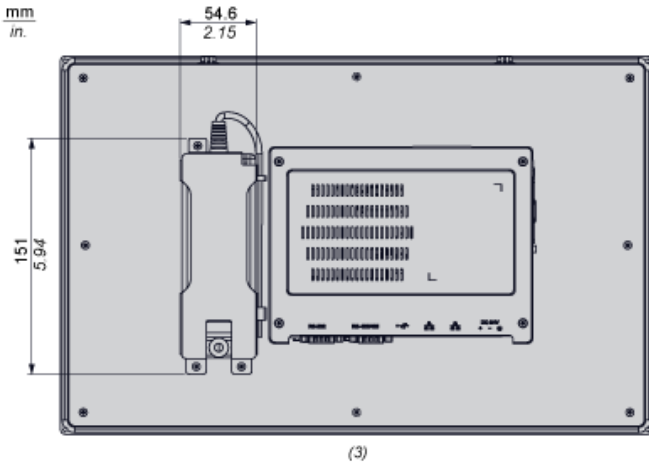
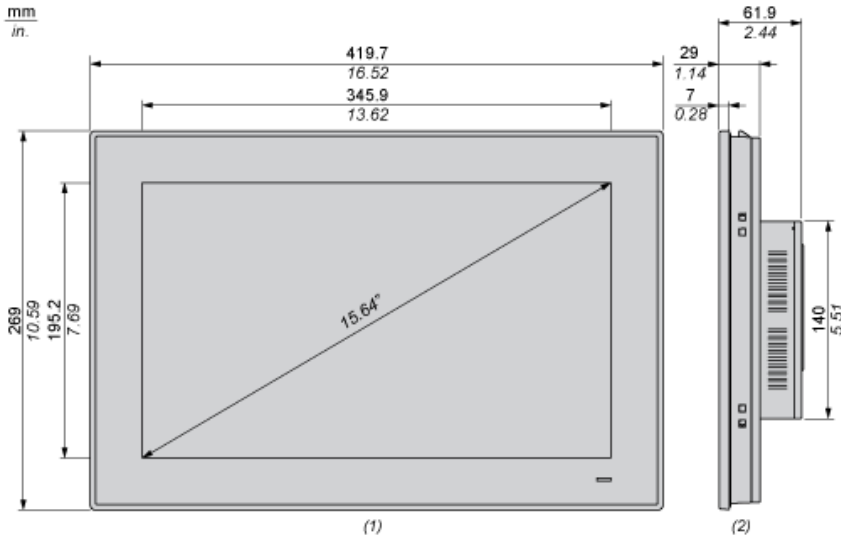
Unit Type of Package 1	PCE
Number of Units in Package 1	1
Package 1 Height	6.2 cm
Package 1 Width	26.9 cm
Package 1 Length	42.0 cm
Package 1 Weight	4.0 kg
Unit Type of Package 2	P12
Number of Units in Package 2	6
Package 2 Height	80 cm

Package 2 Width	105 cm
Package 2 Length	125 cm
Package 2 Weight	49 kg

Offer Sustainability

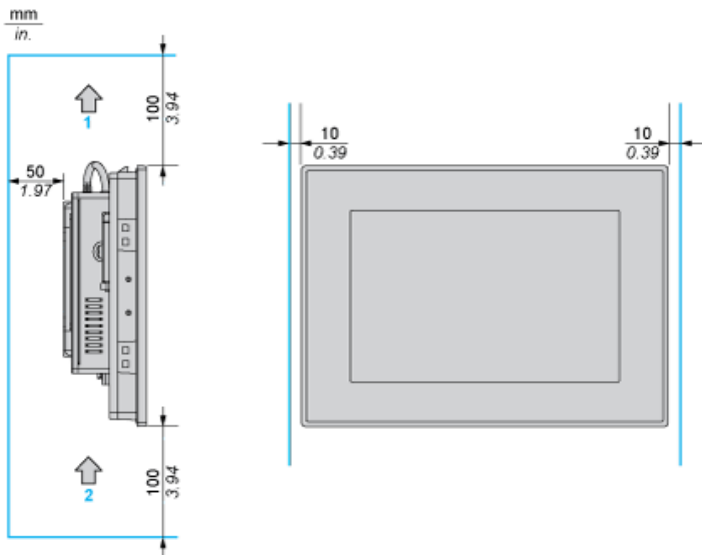
EU RoHS Directive	Pro-active compliance (Product out of EU RoHS legal scope) EU RoHS Declaration
Mercury free	Yes
China RoHS Regulation	China RoHS declaration
RoHS exemption information	Yes
WEEE	The product must be disposed on European Union markets following specific waste collection and never end up in rubbish bins
California proposition 65	WARNING: This product can expose you to chemicals including: Lead and lead compounds, which is known to the State of California to cause cancer and birth defects or other reproductive harm. For more information go to www.P65Warnings.ca.gov

Dimensions



- (1) Front view
- (2) Right view
- (3) Back view
- (4) Bottom view

Spacing Requirements

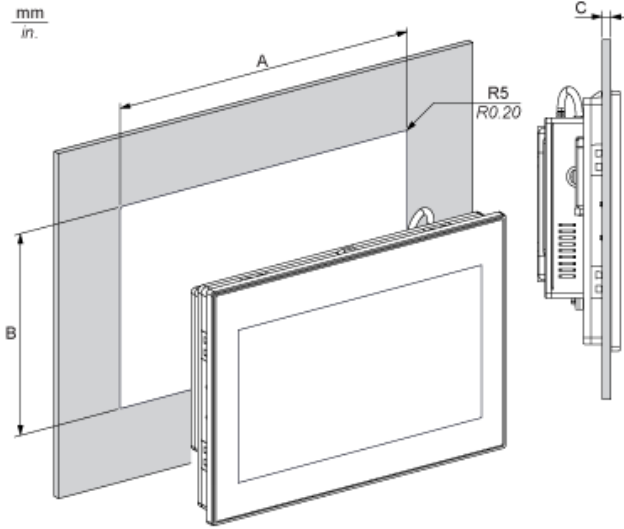


- 1 : Air out
- 2 : Air in

Mounting Orientation



Panel Cut Dimensions



A		B		C		R	
mm	in.	mm	in.	mm	in.	mm	in.
412.4	16.24	261.7	10.30	2...6	0.08...0.23	5	0.20

Recommended replacement(s)