

# Product datasheet

Specifications



## S-Panel PC Optimized SSD W15 DC Windows 10

HMIPSOS752D1801

### Main

Range of product	Harmony iPC
Product or component type	Multi-touch screen
Processor name	Intel Atom E3827 dual core at 1.75 GHz
Chipset type	Intel Atom SoC
Free slots	1 Internal SATA HDD/SSD 1 CFast
Display size	15.6 inch
Display colour	16777216 colors
Luminance	300 cd/m <sup>2</sup>
Pixel resolution	4096 x 4096
Video controller type	Intel HD Graphics
Operating system	Windows 10 IoT Enterprise 64 bit multi-language
Software package	EcoStruxure secure connect advisor annual subscription cyber security license not included EcoStruxure Operator Terminal Expert run time HMI license not included EcoStruxure Machine SCADA Expert run time HMI/SCADA on configured offer only EcoStruxure augmented operator advisor server augmented operator license not included

### Complementary

Number of points	5
Terminal type	Touchscreen display
Memory type	4 GB RAM DDR3 internal
Data storage equipment	128 GB extension back side SSD 1500000 h mtbf
Aspect ratio	16:9
Display type	LED Colour TFT LCD
Display resolution	1366 x 768 pixels WXGA
Backlight lifespan	50000 hours
View angle horizontal x vertical	150 x 140°
Touch panel	Projected capacitive technology (PCT)
Type of cooling	Passive Fanless
Watchdog timer	1...255 ms

<b>Number of slots</b>	1 mini PCI Express full-size
<b>[Us] rated supply voltage</b>	24 V DC +/- 20 % 100...240 V AC with additional adaptor HMIYPSOMAC1
<b>[In] rated current</b>	1.7 A
<b>Mechanical robustness</b>	Hardness anti-scratch 7H
<b>Local signalling</b>	Buzzer LED (green) for on LED (orange) for stand-by
<b>Function available</b>	Operate with water on screen
<b>Width</b>	419.7 mm
<b>Height</b>	269 mm
<b>Depth</b>	86 mm
<b>Cut-out dimensions</b>	412.4 (+/- 0.7) x 261.7 (+/- 0.4)
<b>Net weight</b>	3.9 kg  15" wide multi-touch
<b>Main type</b>	Optimised

## Environment

<b>IP degree of protection</b>	IP66 front panel:
<b>Product certifications</b>	CE C-Tick AS/NZS RCM CCC EAC
<b>Standards</b>	CSA C22.2 No 60950 IEC 61000-6-2 CISPR 11 UL 60950 IEC 61000-6-4 FCC part 15 class A IEC 60950
<b>Directives</b>	2004/108/EC - electromagnetic compatibility 2006/95/EC - low voltage directive
<b>Pollution degree</b>	2
<b>Ambient air temperature for operation</b>	0...55 °C SSD 0...55 °C Cfast card 0...45 °C HDD 0...45 °C Mini PCIe
<b>Ambient air temperature for storage</b>	-20...60 °C
<b>Relative humidity</b>	10...95 % non-condensing
<b>Operating altitude</b>	2000
<b>Vibration resistance</b>	1 gn (f = 5...500 Hz)HDD 2 gn (f = 5...500 Hz)SSD 2 gn (f = 5...500 Hz)Cfast card

## Packing Units

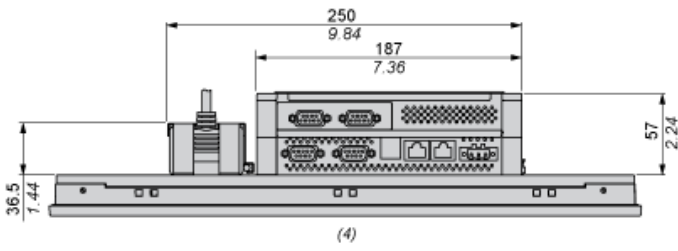
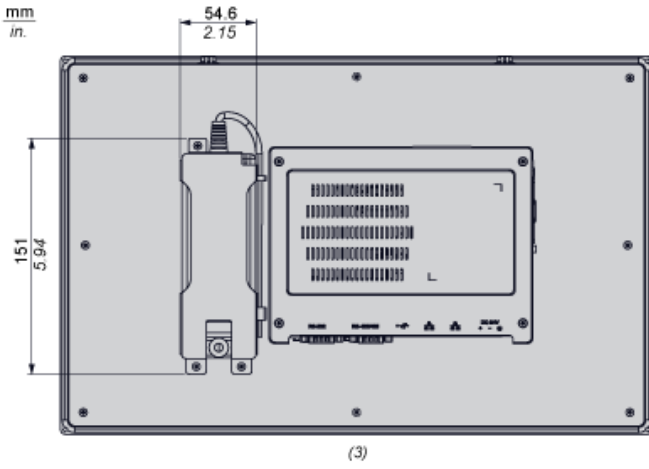
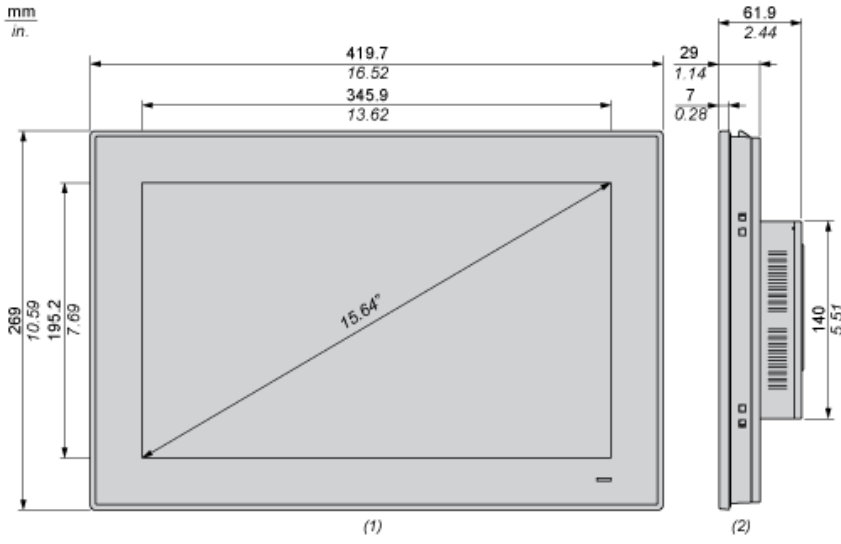
<b>Unit Type of Package 1</b>	PCE
<b>Number of Units in Package 1</b>	1
<b>Package 1 Height</b>	6.2 cm
<b>Package 1 Width</b>	26.9 cm
<b>Package 1 Length</b>	42.0 cm
<b>Package 1 Weight</b>	4.0 kg
<b>Unit Type of Package 2</b>	P12

<b>Number of Units in Package 2</b>	6
<b>Package 2 Height</b>	80 cm
<b>Package 2 Width</b>	105 cm
<b>Package 2 Length</b>	125 cm
<b>Package 2 Weight</b>	49 kg

## Offer Sustainability

<b>EU RoHS Directive</b>	Pro-active compliance (Product out of EU RoHS legal scope) <a href="#">EU RoHS Declaration</a>
<b>Mercury free</b>	Yes
<b>China RoHS Regulation</b>	<a href="#">China RoHS declaration</a>
<b>RoHS exemption information</b>	Yes
<b>WEEE</b>	The product must be disposed on European Union markets following specific waste collection and never end up in rubbish bins

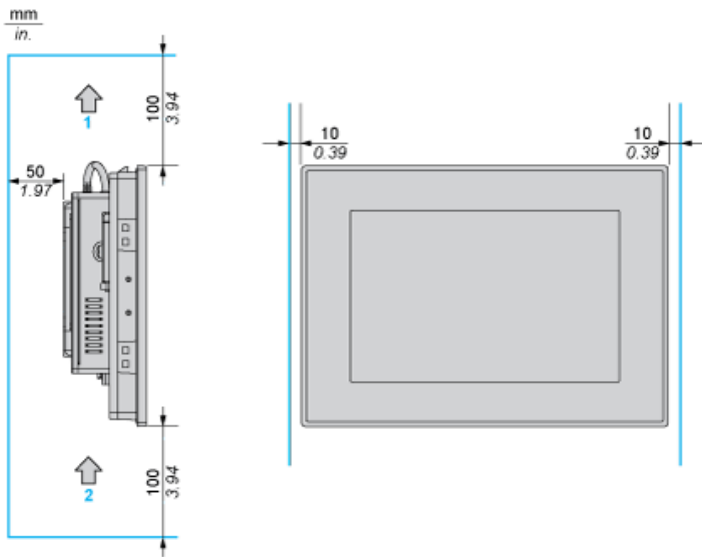
Dimensions



- (1) Front view
- (2) Right view
- (3) Back view
- (4) Bottom view

## Spacing Requirements

---



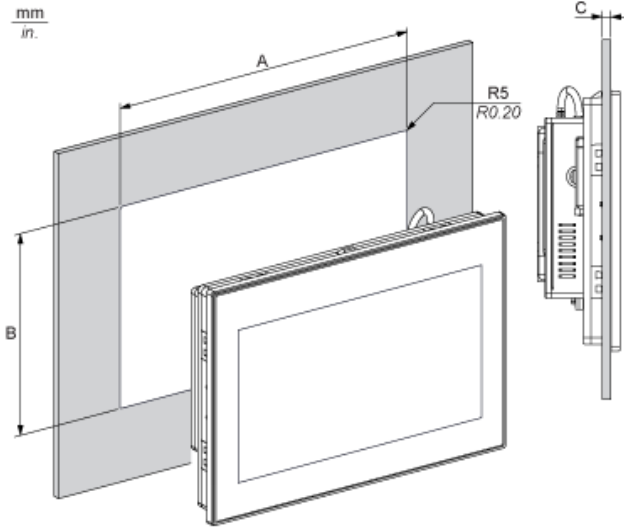
- 1 : Air out
- 2 : Air in

**Mounting Orientation**

---



**Panel Cut Dimensions**



A		B		C		R	
mm	in.	mm	in.	mm	in.	mm	in.
412.4	16.24	261.7	10.30	2...6	0.08...0.23	5	0.20

**Recommended replacement(s)**