

MOTOGEN

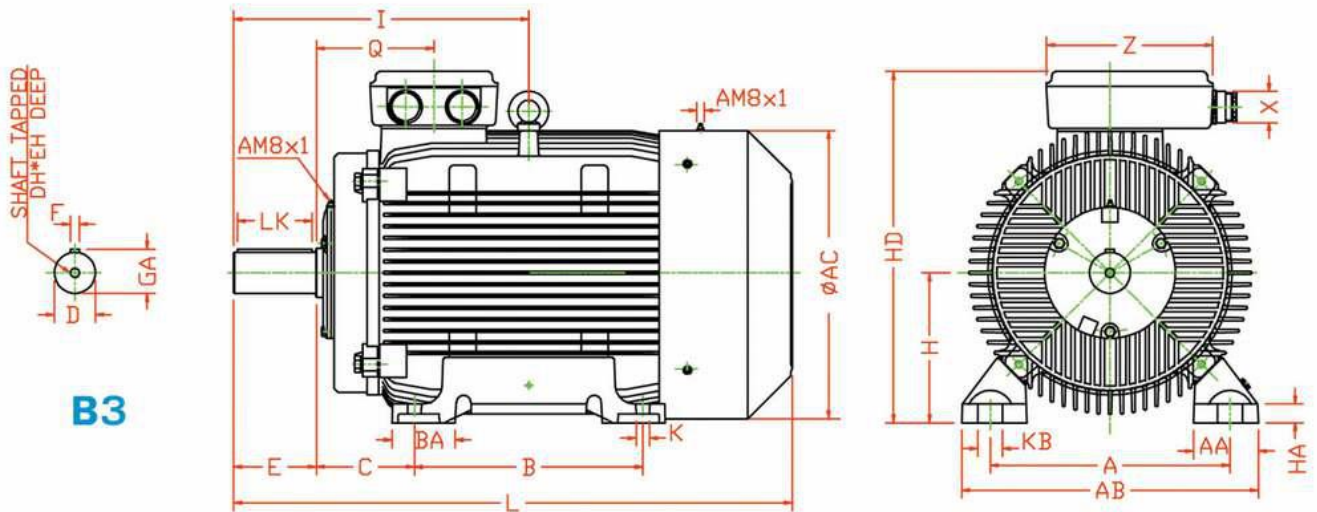
TECHNICAL SPECIFICATIONS

PARAMETERS	Value
Motor type	200L4
Frame size	200L
Output power (KW/HP)	30/40
Rated voltage D/Y-(V)	380/660
Rated Speed (RPM)	1460
Rated current D/Y-(A)	57/33
Rated torque (N m)	194.8
Efficiency (%)	90.1
Power factor (cos phi)	0.89
Starting current/Rated current	5.6
Starting torque/Rated torque	2.5
Breakdown torque/Rated torque	2.8
Moment of inertia (Kg*m2)	0.2069
Weight (Kg)	260
Color	Gray-Ral7030
Body	Cast Iron
Stator winding wire material	copper
Rotor winding material	aluminium
Driven end bearing	6313-Z
Non-driven end bearing	6313-Z
Insulation class	H
Thermal Class	B
IP درجه حفاظت	55

الکتروموتور (۲۰۰L۴) Progressive ۳۸۰/۶۶۰ ۵۵H ۳۰-۱۵۰۰ ۲۰۰L۴

فلنج B۳

سایز فریم 180-280



BA	K	KB	AB	A	AA	LK	HA	AC	Z	Q	I	X	L	E	EH	DH	GA	F	D
83.5	18	33	396	320	87	100	25	385	170	157	394	Pg29	745	110	36	M12	59	16	55

S	M	g1	T	LA	N	P	HD	H	C	B
-	-	-	-	-	-	-	469	200	133	305