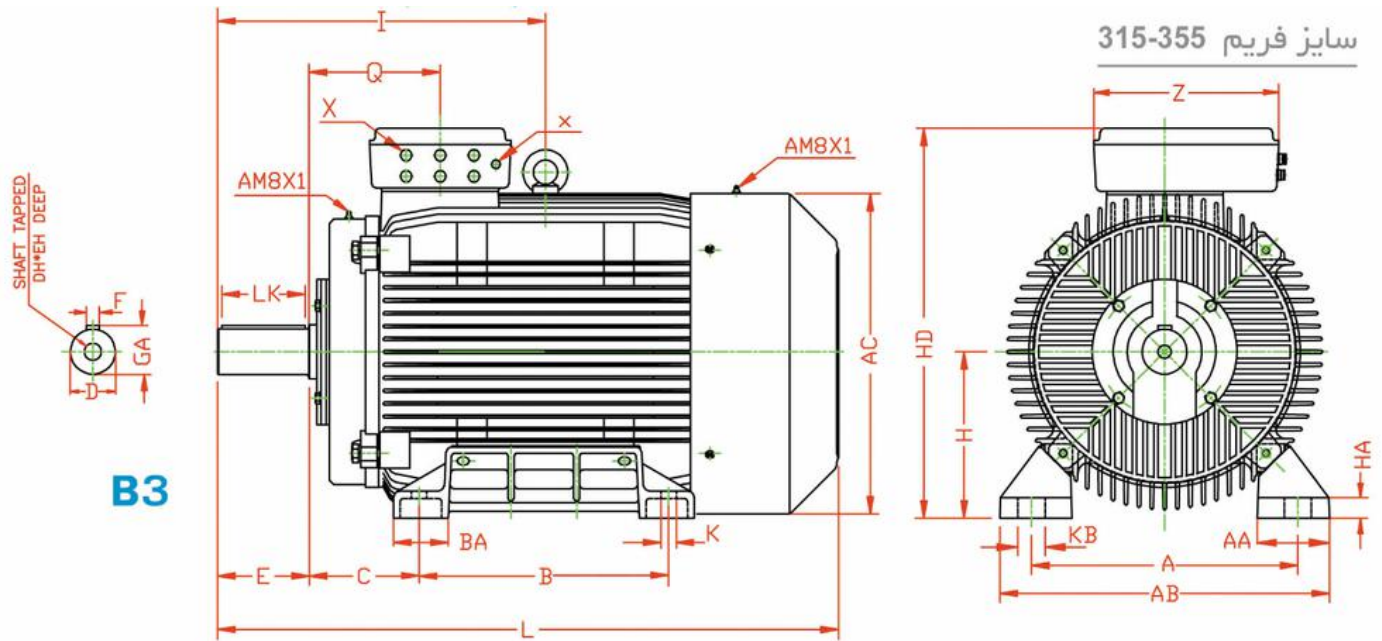


MOTOGEN

TECHNICAL SPECIFICATIONS

PARAMETERS	Value
Motor type	315S4B
Frame size	315S
Output power (KW/HP)	132/180
Rated voltage D/Y-(V)	400/690
Rated Speed (RPM)	1484
Rated current D/Y-(A)	244/141
Rated torque (N m)	845.98
Efficiency (%)	92.4
Power factor (cos phi)	0.84
Starting current/Rated current	7
Starting torque/Rated torque	2
Breakdown torque/Rated torque	2.4
Moment of inertia (Kg*m2)	2.2195
Weight (Kg)	930
Color	Gray-Ral7030
Body	Cast Iron
Stator winding wire material	copper
Rotor winding material	aluminium
Driven end bearing	6319
Non-driven end bearing	6318
Insulation class	F
Thermal Class	B
IP درجه حفاظت	55

الکتروموتور (315S4B) 315MS4B 132-1500 55F 380/600
فلنج B3



A	AB	AC	Z	B	BA	C	D	E	F	GA	I	Q	K	H	HD	AA	HA	KB	LK
508	620	611	470	457	100	216	80	170	22	85	589	275.5	28	315	795	126.6	50	28	140

DH * EH L X,x P N L A T g1 M S
 53 * M20 1131 6xPg21, Pg11 - - - - -