

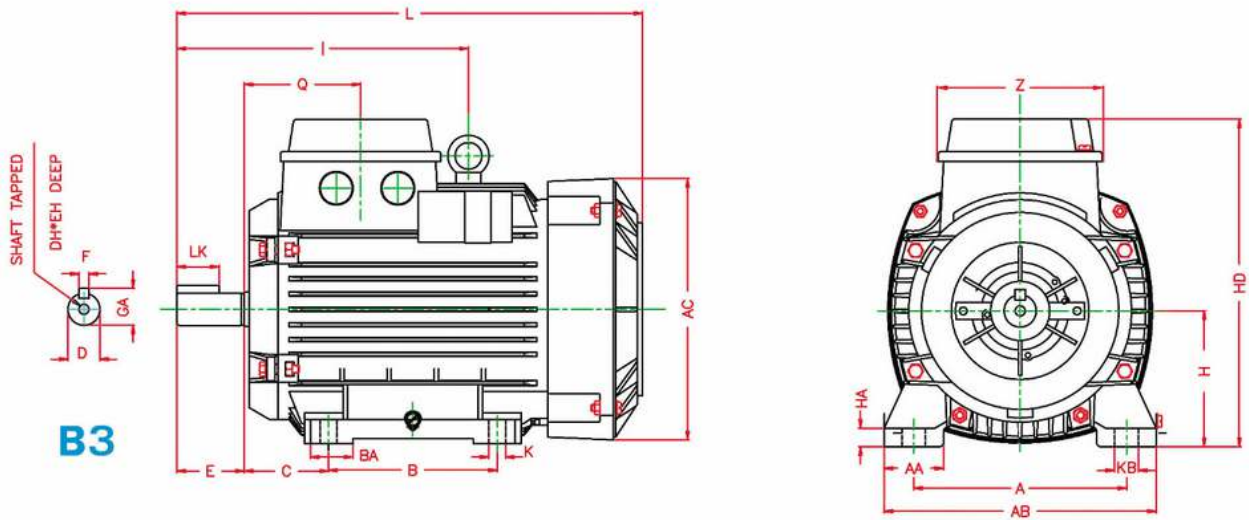
MOTOGEN

TECHNICAL SPECIFICATIONS

PARAMETERS	Value
Motor type	CR90L4B
Frame size	90L
Output power (KW/HP)	1.5/2
Rated voltage D/Y-(V)	220
Rated Speed (RPM)	1400
Rated current D/Y-(A)	9.4
Rated torque (N m)	10.12
Efficiency (%)	77.2
Power factor (cos phi)	0.97
Starting current/Rated current	3.1
Starting torque/Rated torque	0.45
Breakdown torque/Rated torque	1.7
Moment of inertia (Kg*m2)	0.003001
Color	GRAY-RAL7024
Body	Aluminum
Stator winding wire material	copper
Rotor winding material	aluminium
Driven end bearing	6205-2Z
Non-driven end bearing	6205-2Z
Insulation class	F
Thermal Class	B
IP درجه حفاظت	54

الکتروموتور (CR90L4B) 1.5-1500 54F
فلنج B3

سایز فریم 56-160



C	B	BA	K	KB	AB	A	AA	HA	AC	Z	Q	L	E	EH	DH	GA	LK	F	D
56	125	30	10	14	182	140	43.3	12	175	96	70.5	325	50	19	M8	27	32	8	24

FLANGE SYM (DIN)	FLANGE SYM (IEC)	T	S	P	N	M	LA	AK	HD	H
A200	FF165	3.5	12	200	130	165	12	137	215	90